

VRF multi-system Air-Conditioners Catalogue

KXZ series

2025



Micro KXZ
Space saving

KXZ2 series
Flexible design

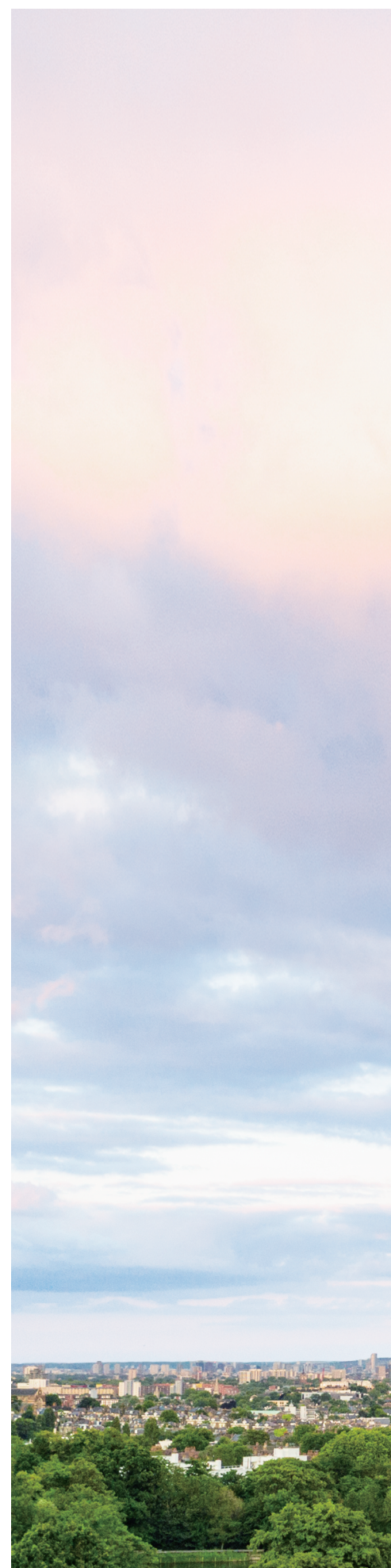
New KXZ3 series
R32 VRF multi-system Air-Conditioners

New Climate & Energy Solution

The new Mitsubishi Heavy Industries KXZ VRF series delivers high performance in cooling and heating for all commercial applications. The KXZ series provides the highest level of design flexibility, efficiency as well as operational functions. This brochure highlights the key benefits and new and improved functions of our latest VRF technology.



Line-Up



Harmonize with the world

Harmonize with the earth

- Global Environment
- Improved Energy Efficiency
- Toughness

Harmonize with people

- Wellness & Comfort
- Serviceability

Harmonize with buildings

- Design Flexibility

KXZ3



CONTENTS

Introduction	2	Ventilation	100
Outdoor units	6	Fresh Air Ventilation and Heat Exchange unit	100
KXZ3 series	8	Fresh Air DX Assembly	101
KXZ2 series	26	Electronic Expansion Valve Kit	102
KXZ2 series Heat Recovery Systems	36	Control Systems	104
Micro KXZ series	48	IoT Remote monitoring system	110
KXZ series Water cooled series	54	Building Management Systems	112
Indoor units	60	Support tool	114
Ceiling Cassette	74	Exterior dimensions	116
Duct Connected	84		
Wall Mounted	91		
Ceiling Suspended	93		
Floor Standing	94		
Outdoor Air Processing unit	96		
Hydro Module unit	98		



VRF MULTI SYSTEM

KXZ system is the best air-conditioning solution for "Sophisticated" buildings

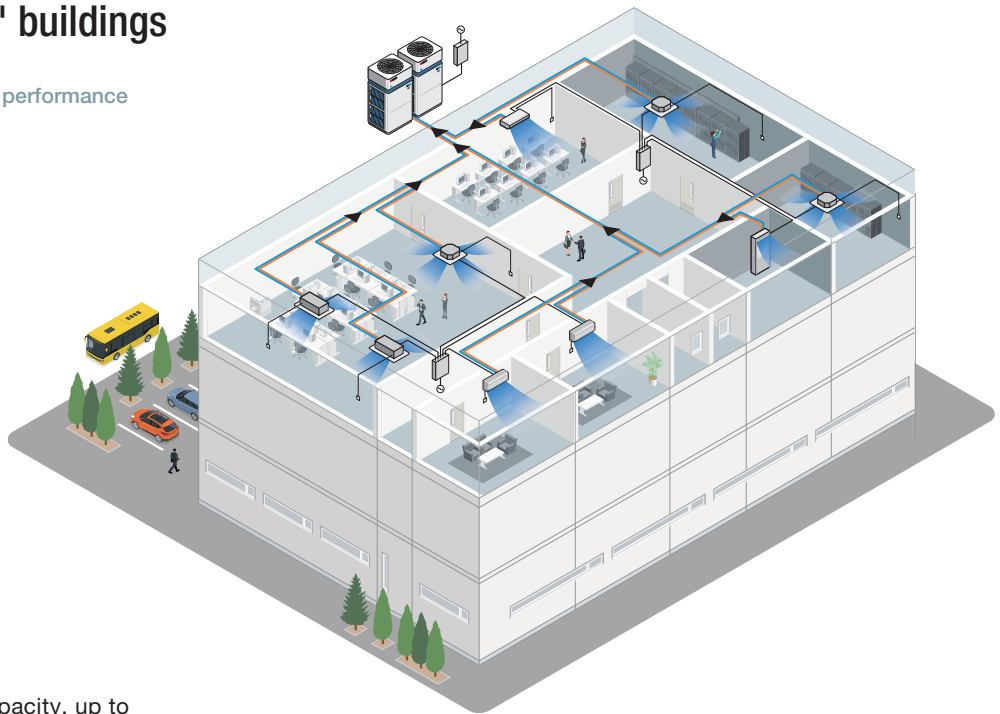
KXZ VRF series delivers high cooling/heating performance for all commercial applications.

Heat pump systems

The heat pump systems operate with 2 inter-connecting pipes, and are commonly referred to as a '2-pipe systems'.

These systems provide either a heating or cooling operation to all indoor units at the same time and are suitable for a wide range of applications from an apartment or villa to an entire multi-story building, especially when there are significant open plan areas to be controlled.

The range starts with a 12.1kW cooling capacity, up to 20HP with 56.0kW cooling capacity. Outdoor units can also be "twinned" or "tripled" providing up to 60HP/168.0kW on a single system.(KXZ2)
The range has a total piping length of 1000m (KXZ) and the furthest indoor unit can be connected up to 160m (KXZ) from the outdoor unit.



Environmental

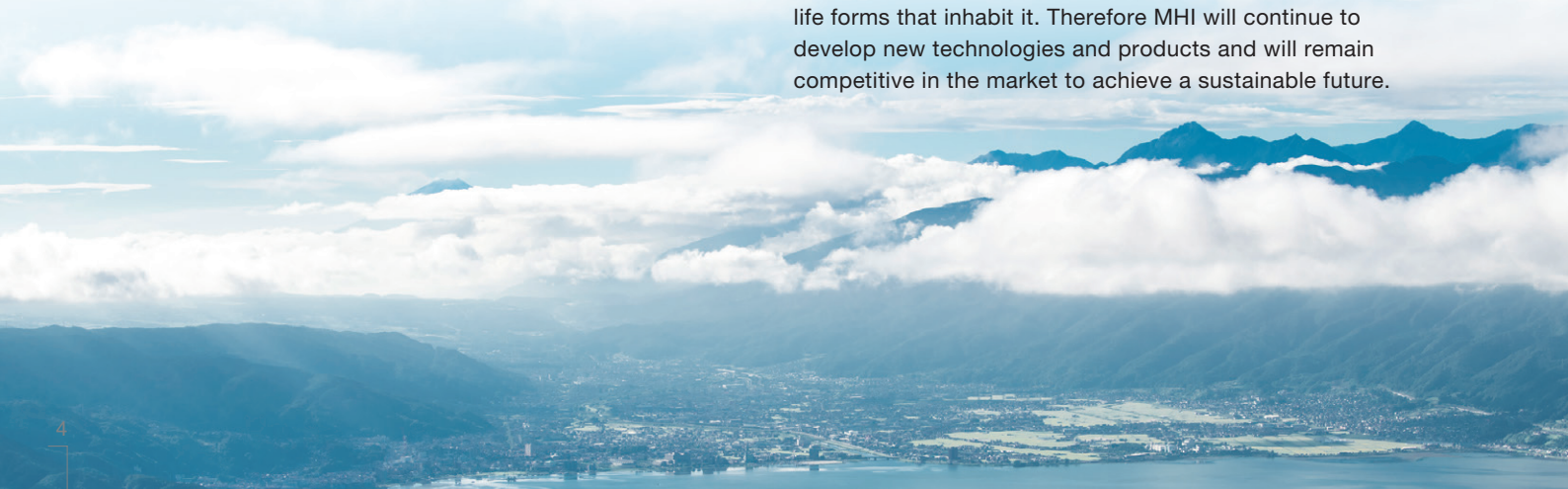
Mitsubishi Heavy Industries, Ltd. (MHI), are unwaveringly dedicated to facing the challenges of the future.

MHI are dedicated to supporting global sustainability by offering the most energy efficient air-conditioning systems. Through our in-depth research and development, we are able to incorporate new technologies within our units to maximise their energy efficiency and significantly reduce carbon emissions.

Environmental Impact

MHI recognises the increasing importance of reducing carbon emissions as this is becoming a priority when selecting air and water distribution systems. Furthermore new technologies are constantly being developed to help meet heating and cooling requirements as well as environmental objectives.

The future of our planet rests in the sustained evolution of humankind while caring, with love and responsibility, for all life forms that inhabit it. Therefore MHI will continue to develop new technologies and products and will remain competitive in the market to achieve a sustainable future.



“Micro KXZ series” for small offices, shops applications



Energy efficient and highly reliable industry leading compact units are designed and built by our technology experts.



Specific cases of VRF system installation from Mitsubishi Heavy Industries Thermal Systems

Case study : **Education**



We're excited to have provided Crossways Academy in Lewisham with our VRF system, making the school a cooler and more comfortable place for learning.

Maintaining comfortable temperatures in rooms frequented by large groups of students is crucial, and it must be done economically. Factors like simultaneous entries and exits of students, fluctuations in heat load due to IT equipment usage, and the operation of electric blinds to control glare all play significant roles in this endeavor. The VRF KX system from Mitsubishi Heavy Industries Thermal Systems offers an ideal solution for your needs. Designed with a focus on natural ventilation, the building utilizes electronically operated windows. The air-conditioning system is seamlessly integrated with this control system, ensuring it shuts down when windows are opened. Mitsubishi Heavy Industries Thermal Systems KX is specifically suitable for various retrofit applications, making it a perfect fit for your requirements.

Case study : **Hotel and Leisure**



Mitsubishi Heavy Industries (MHI) Thermal Systems' VRF heat recovery systems, part of the KX range, are perfectly suited to meet the rigorous requirements of luxury hotels and "airport-style" bus stations. These systems feature advanced inverter technology, which intelligently adjusts compressor output to precisely match the cooling or heating demands of indoor units. This ensures optimal comfort and energy efficiency in demanding environments. By opting for our adaptable heating and cooling system, you're not just saving energy, but also gaining precise control over room temperatures. Our system empowers you to adjust heating and cooling levels in different areas according to specific needs.

























For instance, in sunnier, south-facing rooms where temperatures tend to rise, you can effortlessly increase the heat to maintain comfort. Meanwhile, in cooler, shadier areas of your building, our system efficiently provides energy for heating, ensuring consistent comfort throughout.

With this flexibility, you can optimize energy usage based on varying conditions, enhancing both comfort and energy efficiency in your space.

KXZ series product Line up

Outdoor units



Capacity Range	4HP	5HP	6HP	8HP	10HP	12HP	14HP	16HP	17HP	18HP	20HP	22HP	24HP
Model Code : kW	12.1	14.0	15.5	22.4	28.0	33.5	40.0	45.0	47.5	50.0	56.0	61.5	67.0
BTU / h	41,300	47,800	52,900	76,400	95,500	114,300	136,500	153,500	162,100	170,600	191,100	209,800	228,600
KXZ3 New! Standard <ul style="list-style-type: none"> • New design • High efficiency • Design Flexibility • VTCC+, Continuous heating 				 FDC224 - 335			 FDC450 - 670						
				●	●	●		●		●	●	●	●
KXZ2 Standard <ul style="list-style-type: none"> • Flexible design • Wide range of operation • Large capacity outdoor unit (Up to 60HP) • VTCC, Continuous heating 				 FDC280-335			 FDC400 - 560			 FDC615-670			
					●	●	●	●	●	●	●	●	●
KXZ2 Hi-COP combination <ul style="list-style-type: none"> • Higher energy savings • Flexible design • VTCC, Continuous heating 										 FDC560			
											●		
KXZ2 Heat Recovery <ul style="list-style-type: none"> • High efficiency in simultaneous cooling and heating mode • Flexible design • Wide range of operation • VTCC, Continuous heating 				 FDC224 - 335			 FDC400 - 670						
				●	●	●	●	●	●	●	●	●	●
KXZ2 Heat Recovery Hi-COP combination <ul style="list-style-type: none"> • High efficiency in simultaneous cooling and heating mode • Higher energy savings • VTCC, Continuous heating 								 FDC450 - 670					
								●		●	●	●	●
Micro KXZ <ul style="list-style-type: none"> • Space saving • Flexible design • Slim, light, broad range (4-6 HP) • Small, Medium building • Available in 1-phase and 3-Phase 	 FDC121 - 155												
	●	●	●										
Micro KXZ <ul style="list-style-type: none"> • Space saving • Large number of connectable indoor units (Up to 24 Units) • Small, Medium building • Available in 1-phase and 3-Phase (4-6HP) 	 FDC121 - 155			 FDC224 - 335									
	●	●	●	●	●	●							
KXZ Lite <ul style="list-style-type: none"> • Space saving • High efficiency • Tropical usage mode • Easy transportation & Installation 				 FDC224-280									
				●	●								
KXZ Water cooled series <ul style="list-style-type: none"> • High efficiency • Low noise operation • Individual control building, Large building 				 FDC224 - 335			 FDC450 - 670						
				●	●	●		●		●	●	●	●

Refrigerant

● : R32

● : R410A



	26HP	28HP	30HP	32HP	34HP	36HP	38HP	40HP	42HP	44HP	46HP	48HP	50HP	52HP	54HP	56HP	58HP	60HP		
	73.5	80.0	85.0	90.0	95.0	100.0	106.0	112.0	120.0	125.0	130.0	135.0	142.5	145.0	150.0	156.0	162.0	168.0		
	250,800	273,000	290,000	307,100	324,100	341,200	361,700	382,100	409,400	426,500	443,600	460,600	486,200	494,700	511,800	532,200	552,700	573,200		
	FDC735 - 1000																			
	●	●	●	●	●	●														
	FDC735	FDC800 - 1120							FDC1200 - 1680											
	●	●	●	●	●	●	●	●	●	●	●	●	●	●	●	●	●	●	●	
			FDC850 - 1000				FDC1060		FDC1120											
			●	●	●	●	●	●												
	FDC735	FDC800 - 1120							FDC1200 - FDC1680											
	●	●	●	●	●	●	●	●	●	●	●	●	●	●	●	●	●	●	●	
	FDC735 - 1000																			
	●	●	●	●	●	●														
	FDC730 - 1000																			
	●	●	●	●	●	●														

KXZ3 series

KXZ3

New Design - 6 concepts -

The redesigned model with R32 refrigerant has been engineered by the following 6 concepts.



New line-up

1 FAN structure

Compact design with a 1 FAN structure on the upper part of the unit.



New design 6 Concepts

1 Global Environment

- Reduce CO2 emission by about 70%

2 Wide Design Flexibility

- New exterior design to fit the scenery
- Various type of indoor units available
- Wider limitation of piping installation
- Flexible selection of safety systems

3 Improved Energy Efficiency

- Higher SCOP & SEER
- New R32 scroll compressor
- Heat exchanger with small heat transfer pipe
- Optimized fan and flow path design
- VTCC+ : advanced variable temperature and capacity control

4 Wellness & Comfort

- Advanced continuous heating
- Four steps of capacity control

5 Toughness

- Cooling use in high ambient temperature
- Strengthened resistance against corrosion & frost
- Long life and efficiency for the system

6 Serviceability

- Easy access to replacement parts

Harmonize with the earth

Concept 1

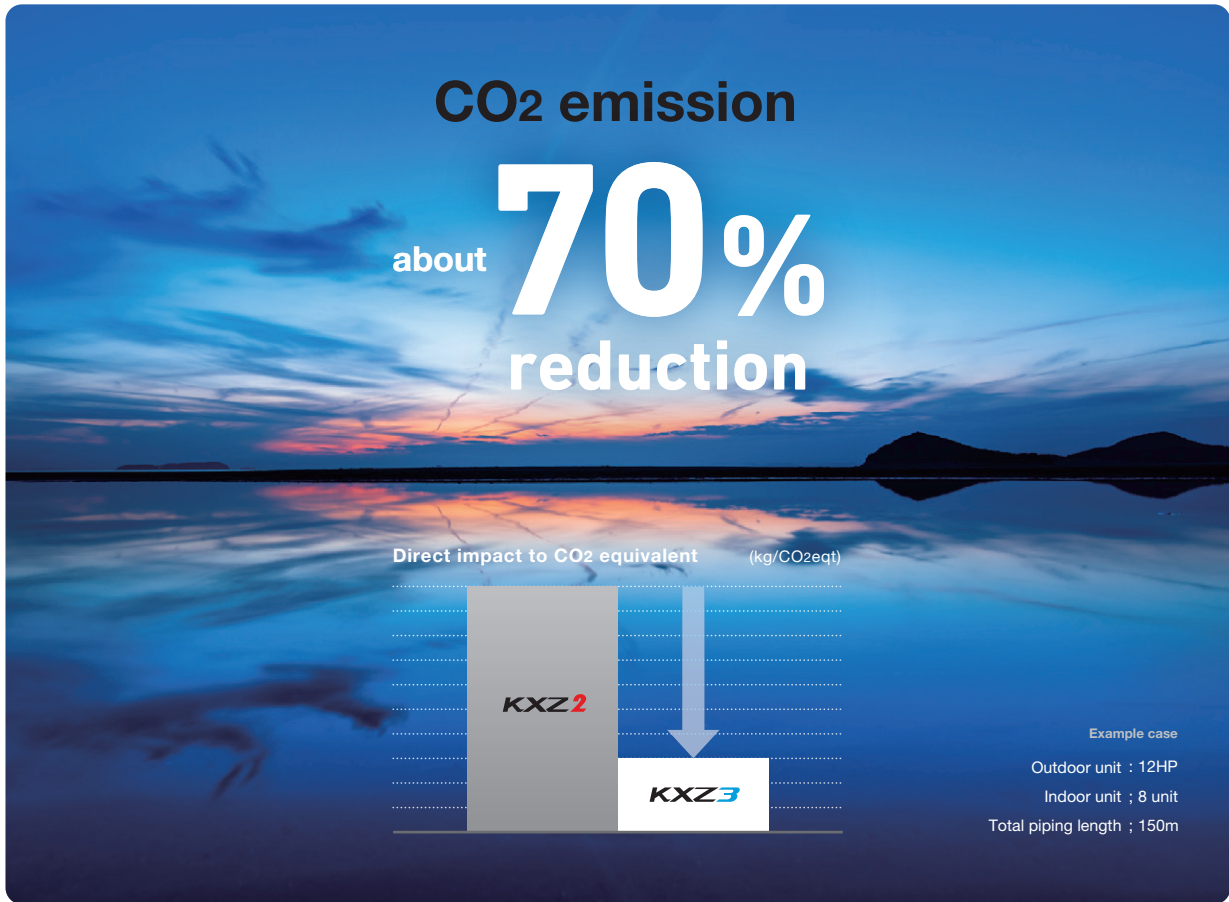
Global Environment



Meet our new R32 KXZ3 series of heat pumps, the perfect climate solution for heating and cooling commercial and industrial applications.

By optimizing the KXZ3 series with R32 refrigerant has increased

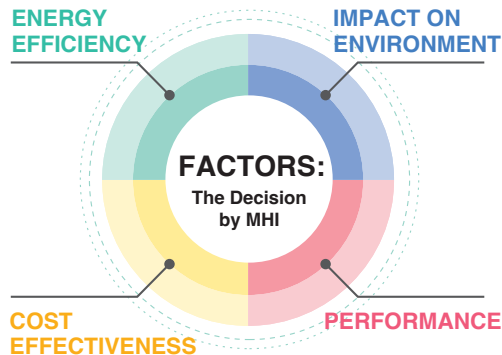
- Energy efficiency
- Overall performance
- Cost effectiveness
- Reduction in environmental impact



R32 - A Low GWP Refrigerant



The Decision by MHI to transition to a new refrigerant is driven by many factors. KXZ3 with the use of R32 refrigerant, lower GWP (675) than R410A (2088)



1. A single component, easy to handle refrigerant
2. Known as a component of the blend R410A (50% R32, 50% R125)
3. Already used in Air-Conditioning systems worldwide
4. Zero Ozone Depletion
5. Superior Energy Efficiency vs. R410A
6. Reduced refrigerant charge vs. R410A
7. Easy to recycle

Wide Design Flexibility

New exterior design to fit the scenery

1. Outdoor units - Product line-up -

Our line-up and limitation of use make it possible to adopt wider range of installation on commercial buildings.

Compact design

One of the smallest in the industry

The **KXZ3 series** has reduced the installation space with the integral structure of the heat exchanger and the mechanical components.

The total footprint has become more compact compared to our previous model.



Combination use is also possible

The new product line-up of the **KXZ3 series** can also be installed to offer solutions with a combination of 3 outdoor units.



Connectability

KXZ3 - Standard Connectable Indoor Units

Increased number of connectable units and max capacity connection.

Standard KXZ3	HP	8	10	12	16	18	20	22	24	26	28	30	32	34	36
	Numbers		22	28	33	45	50	56	61	67	73	80	80	80	80
IU Capacity connection		50 - 150% (*1)													

(*1) When connecting the indoor unit type FDK, FDFL, FDFU or FDFW series, limit the connectable capacity not higher than 130%.

Various type of indoor units available



2. Indoor units

- Product line-up -

Wide variety of 14 types 78 models

Type			Capacity : HP	0.5	0.8	1	1.25	1.6	2	2.5	3.2	4	5	6	8	10
			Model Code : kW	1.5	2.2	2.8	3.6	4.5	5.6	7.1	9.0	11.2	14.0	16.0	22.4	28.0
Ceiling Cassette	4way	FDT				●	●	●	●	●	●	●	●	●		
	4way Compact	FDTC		●	●	●	●	●	●							
	2way	FDTW				●		●	●	●	●	●				
	1way	FDTS						●		●						
	1way Compact	FDTQ			●	●	●									
Duct Connected	High Static Pressure	FDU						●	●	●	●	●	●	●	●	●
	Low/Middle Static Pressure	FDUM			●	●	●	●	●	●	●	●	●	●		
	Low Static Pressure (thin)	FDUT		●	●	●	●	●	●							
	Compact & Flexible	FDUH			●	●	●									
Wall mounted		FDK		●	●	●	●	●	●	●	●					
Ceiling Suspended		FDE					●	●	●		●	●				
Floor Standing	2way	FDFW				●		●	●							
	With Casing	FDFL								●						
	Without Casing	FDFU				●		●	●	●						

Coming soon

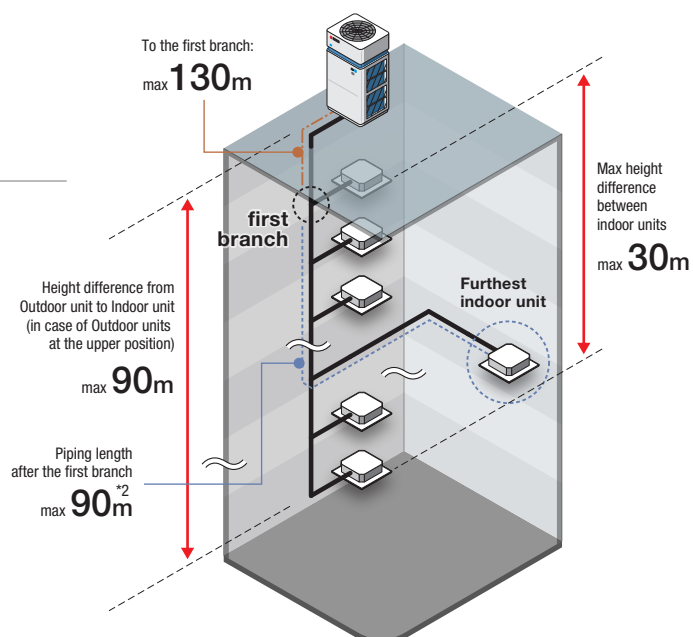
Wider limitation of piping installation

3. Flexible pipe installation

Total length : **1,000m**
 Furthest indoor unit: **160m**
 Actual length: **160m**

The piping length of our KXZ series have been extended with a maximum height difference between indoor units of up to 30m enabling installation of indoor units on an extra three floors. Also, the furthest unit can be installed up to 160m from outdoor unit.

(*2) : The difference between the longest and the shortest indoor unit piping from the first branch must be within 40m.



Flexible selection of safety systems

4. Safety system R32 refrigerant



R32 refrigerant is categorized as mildly flammable (A2L) by International Standard ISO817. Safety measures specified in safety standard IEC60335-2-40 Ed.6.0. must be observed when installing or using R32 refrigerant equipment. The necessity of safety measures and the type and number of required safety equipment depend on the conditions of each room in the building.

1. Refrigerant leak detector Safety alarm	2. Safety alarm Remote Controller	3. Shut-off valve Safety alarm	4. Ventilator MHI option has not been prepared.
---	---	--	---

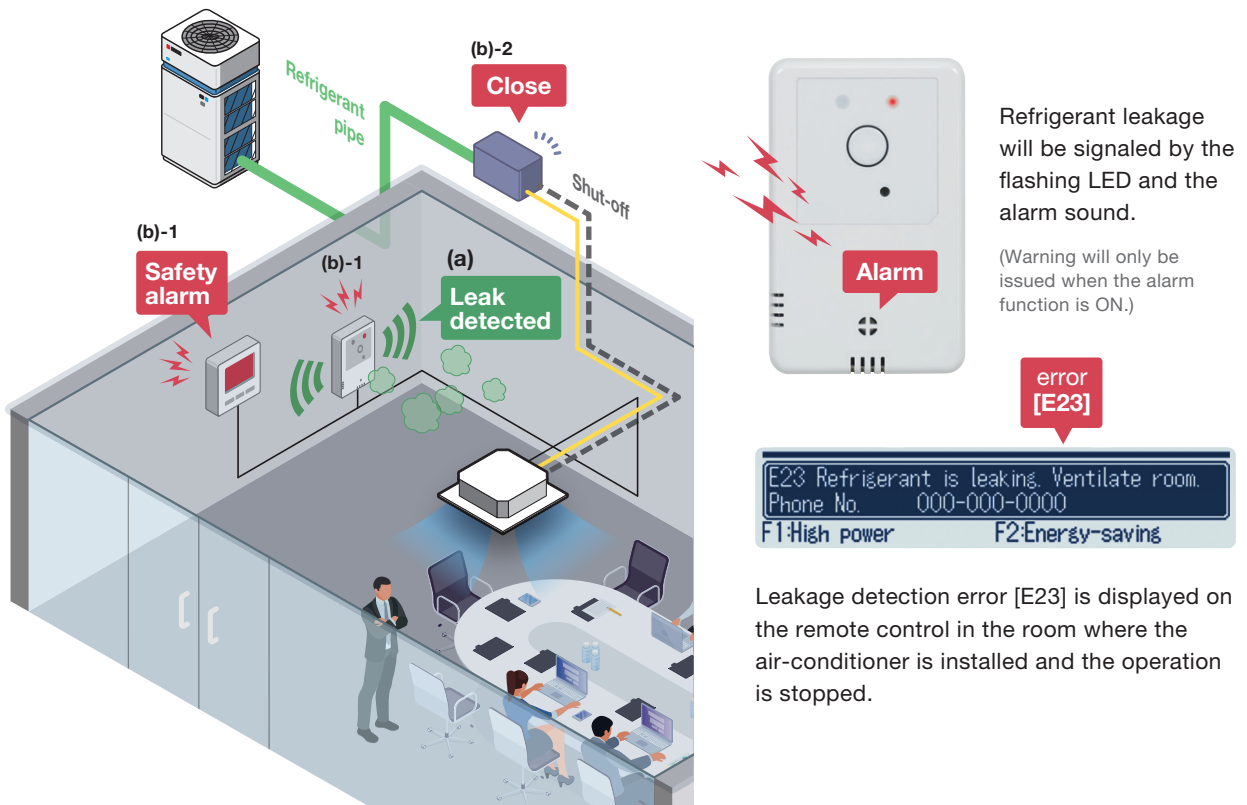
The necessity of safety measures and the type and number of required safety equipment depend on the conditions of each room in the building. Safety equipment units are grouped into the following categories.

Refrigerant leak detector (Safety alarm)  RLD-KIT-E H159 x W100 x D28 mm	Remote Controller (Safety alarm)  RC-EX3D H120 x W120 x D19 mm	 RC-ES1 H86 x W86 x D17 mm	Shut-off valve  SV-KIT-S1N-E SV-KIT-L1N-E H254 x W489 x D297 mm (Except piping)
--	--	---	---

Example of the safety system

1. Refrigerant leak detected
2. Safety alarm is sounded, and flow of refrigerant is blocked.

- (a) : Refrigerant leak detector detects refrigerant leakage in the room.
- (b)-1 : Safety alarm sounds and light alerts to signal refrigerant leakage.
- (b)-2 : Shut-off valve in the refrigerant pipe closes and blocks the flow of refrigerant.

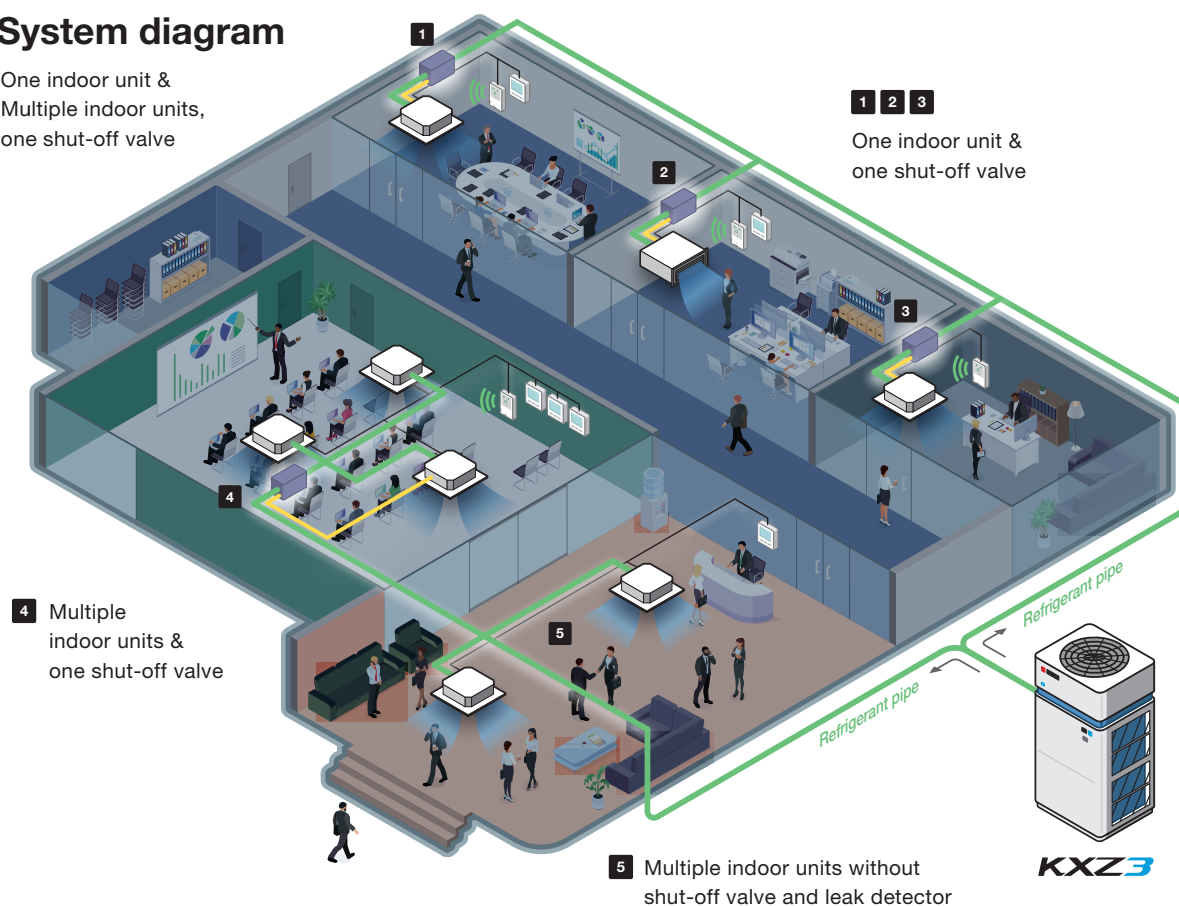


Our safety system offers wide flexibility of installation for safety measures. Safety system can be installed only to the rooms that are necessary.



System diagram

One indoor unit & Multiple indoor units, one shut-off valve



Available for Micro KXZ / KXZ3 Series



Only indoor units from the KXZE3-W Series with either the RC-EX3D or RC-ES1 remote control are connectable.

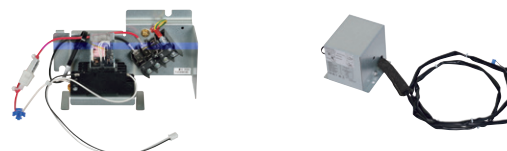
Refrigerant leak detector and shut-off valve may not be required depending on the room size.

SV-RLY-E

For the following models a relay kit (SV-RLY-E) is required to connect to the shut off valve.

- FDUT--KXZE3-W* FDUH--KXZE3-W
- FDTQ--KXZE3-W FDFL--KXZE3-W FDFU--KXZE3-W

*Excluding FDUT71KXZE3-W

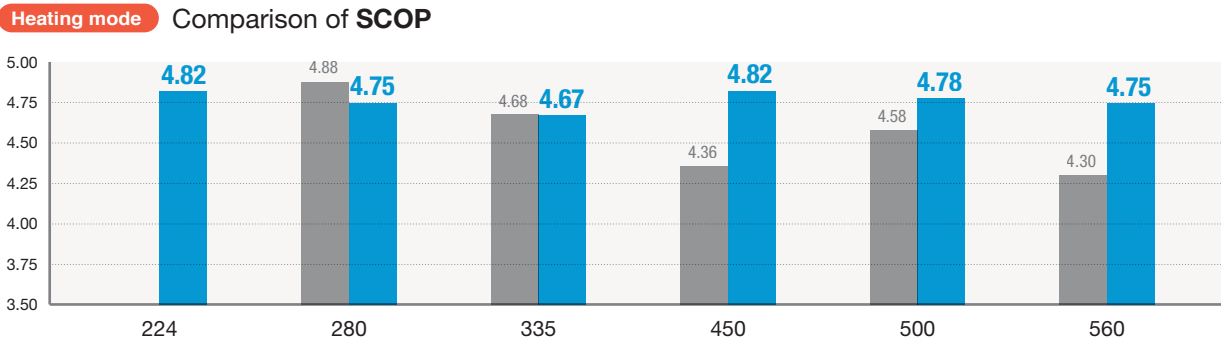
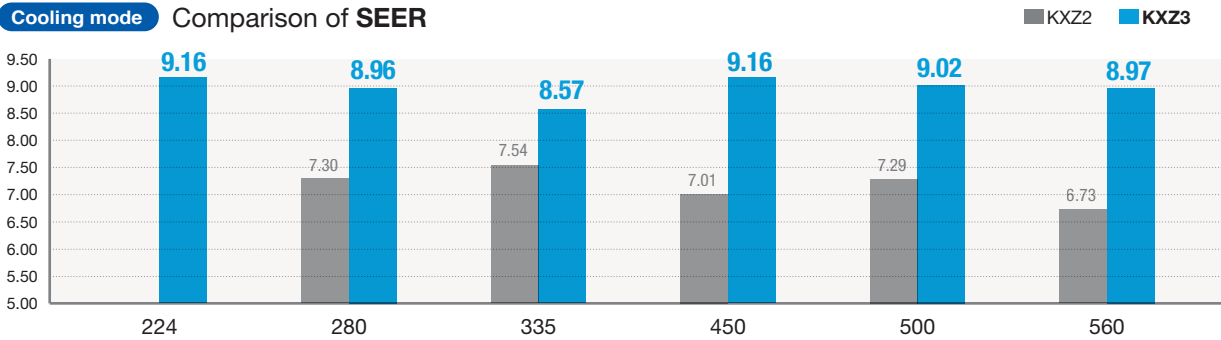


Improved Energy Efficiency

Higher SCOP & SEER

Increased seasonal efficiencies

Our **KXZ3 series** provide high performance and excellent energy savings across all ranges. This is achieved by the optimized heat exchangers with the increased capacities and the advanced energy efficient compressor.



From the models beyond 450 the KXZ3 series are measured with combinations



Features

Improved seasonal efficiency is achieved by

- 1** New R32 scroll compressor with the improved scroll mechanism and motor.
- 2** Heat exchanger with small copper pipe (Φ7)
- 3** Optimized fan and airflow path design
- 4** Advanced VTCC+ control



New R32 scroll compressor with the improved scroll mechanism and motor

1 New scroll compressor

With the adaptation of new components and its optimization, the KXZ3 series is now available in R32 refrigerant with a higher efficiency and a wide operation range. The new compressor uses the latest compressor technology and has proven to be extremely reliable.

New Technology

1. New liquid injection structure to cool down the refrigerant

Leading to
the wide operation range

2. Redesign of the spiral structure of the scroll

Leading to
higher efficiency

3. Larger motor with an optimized winding structure of the coil

Leading to
the wide operation range and improved efficiency

4. New oil circuit that returns the oil to the bottom of the compressor, decreasing the amount of discharge oil at high rotation range.

Leading to
higher efficiency



5. Optimized layout of multi ports / discharge ports in the scroll

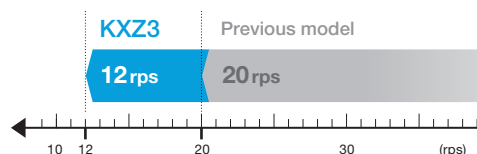
Leading to
higher efficiency

6. Wear resistant coating to some of the parts

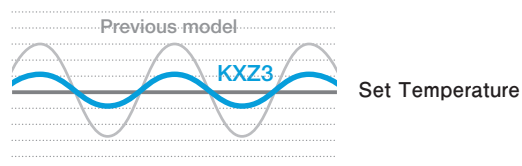
Leading to
the wide operation range

Expansion of minimum | Rotation speed of the compressor

Achieving precise performance control

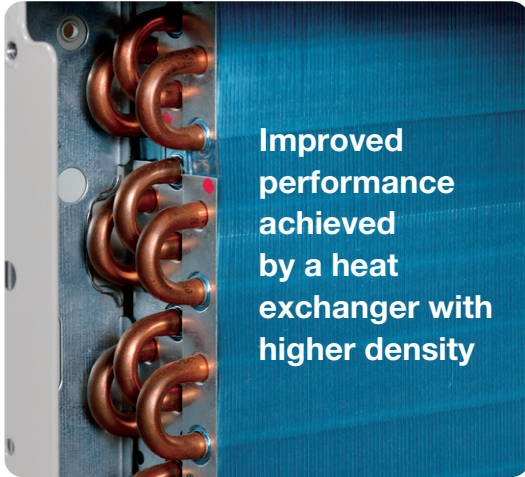


Improved energy savings and comfort at set temperature



Heat exchanger with small heat transfer pipe ($\Phi 7.0$)

2 Improved heat exchanger

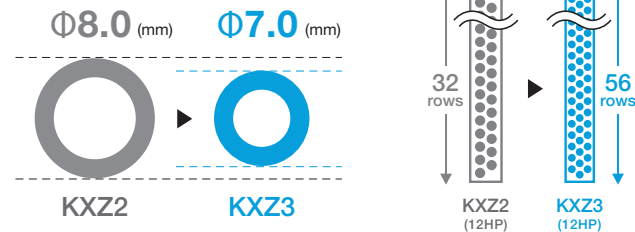


Adopting a slimmer 7.0mm copper pipe. By increasing the number of the copper pipe and fin, the performance level has improved while keeping the heat exchanger size small.

The adoption of the new slim heat exchanger has resulted in a more compact size and reduced refrigerant volume, while maintaining higher overall performance and efficiency compared to the previous model.



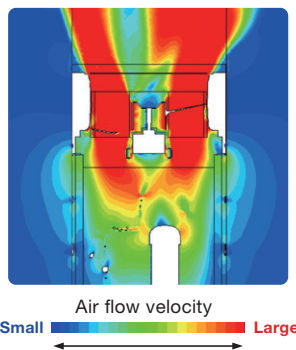
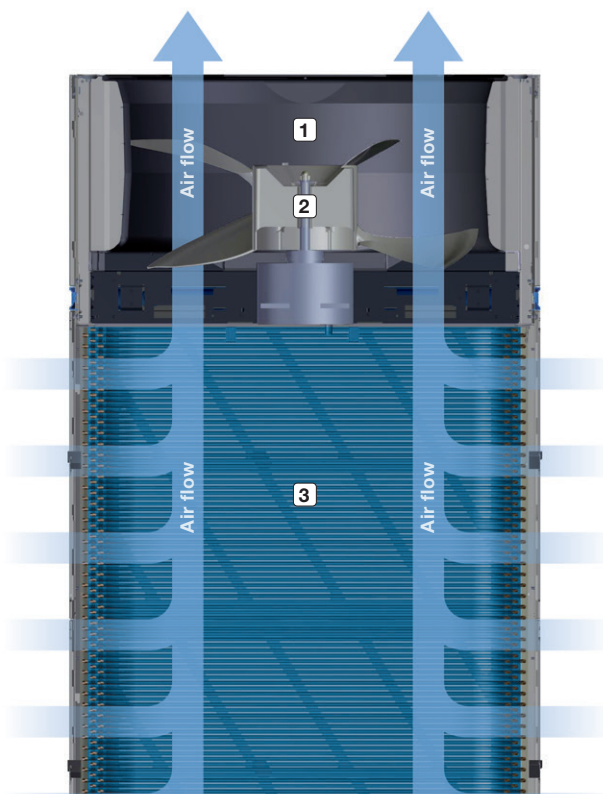
Slimmer heat exchanger and a dense copper piping



Optimized fan and flow path design

3 Optimized air flow structure

Pressure loss in air flow path is minimized with the newly designed impeller and optimized path, dedicating better energy efficiency. Regulated air flow by optimized flow path leads to more efficient heat exchange.

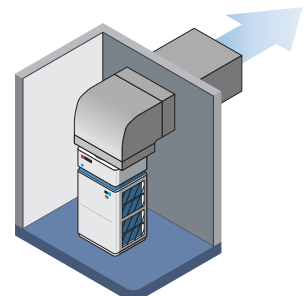


1. Optimized diffuser
2. Newly designed impeller
3. Heat exchanger

Extended external static pressure

Max: **90 Pa**

Flexibility to meet installation location needs.



VTCC+ : advanced variable temperature and capacity control

4 KX VRF redesigned with VTCC+

New Variable Temperature and Capacity Control

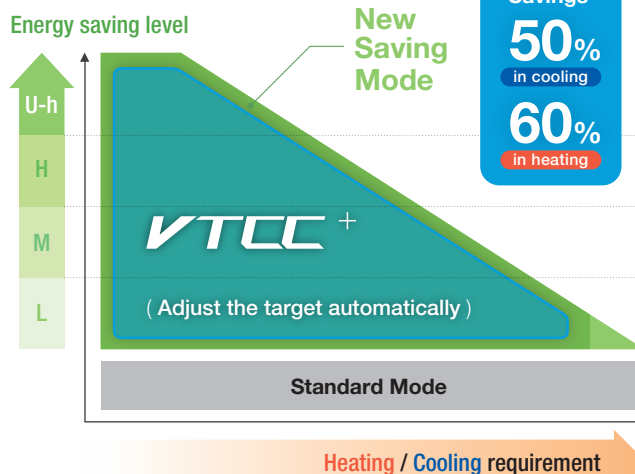
VTCC+

New VRF control VTCC+ adjusts the target pressure of the refrigerant automatically according to the requirement load of the indoor rooms in partial load conditions.

These smooth adjustments ensure an optimal capacity usage of the indoor units as well as maximised energy savings. Ultimately this also increases comfort for the user.

- Most balanced mode between capacity control and energy saving
- Target pressure is automatically adjusted according to heating/cooling requirement, which achieves energy saving
- Advanced capacity control achieves smooth temperature control close to set temperature
- Suitable for heating/cooling demand varies among the room in the building

VTCC+ concept image



* Saving mode(U-High) compared to standard mode in the following conditions
 Cooling : Outside temperature 20°CDB, Partial load factor 21%, Set temperature 27°C
 Heating : Outside temperature 12°CDB/11°CWB, Partial load factor 15%, Set temperature 20°C

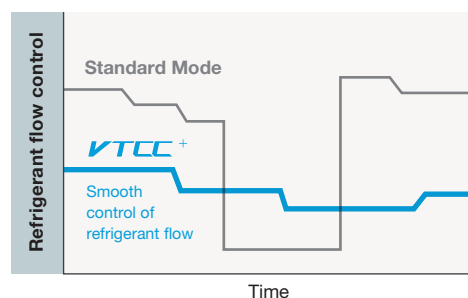
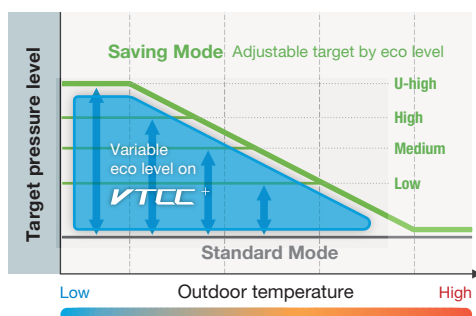
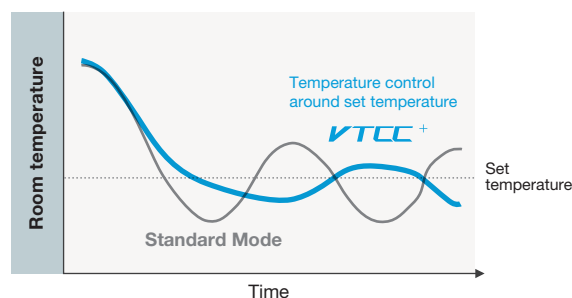
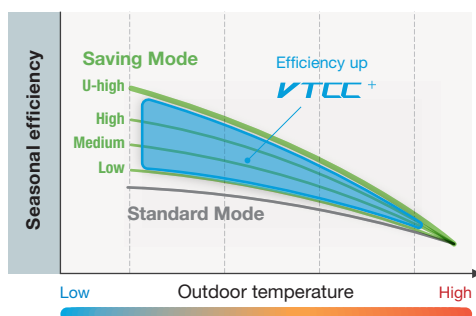
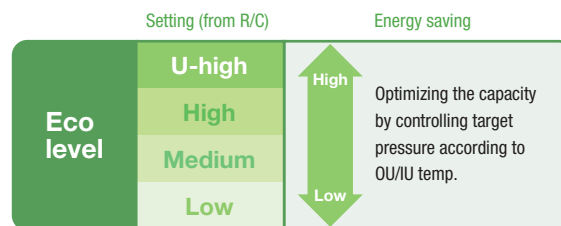
New Saving mode

- Suitable for the building with strict energy target
- Target pressure would be fixed based on the selected eco level (Low / Medium / High / U-high)

Standard mode

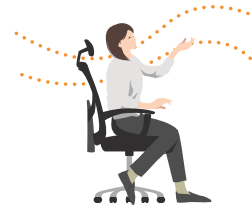
- Capacity is maximised
- Suitable for high heating/cooling demand in the building
- Target pressure is adjusted steady to maximize the capacity

Better partial load performance



* All the graph above shows the conditions in cooling

Wellness & Comfort

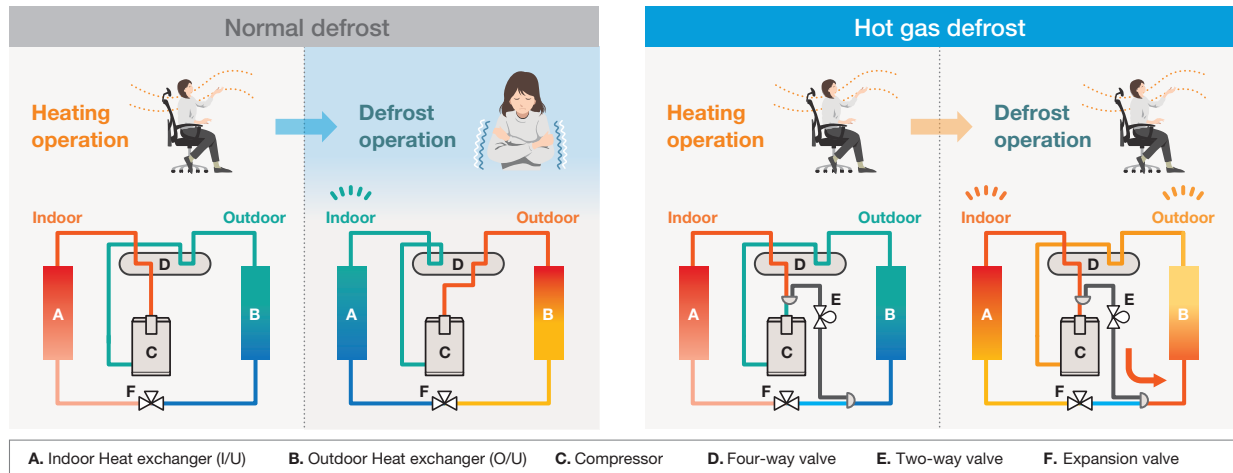


Advanced continuous heating

Continuous heating with two defrost modes

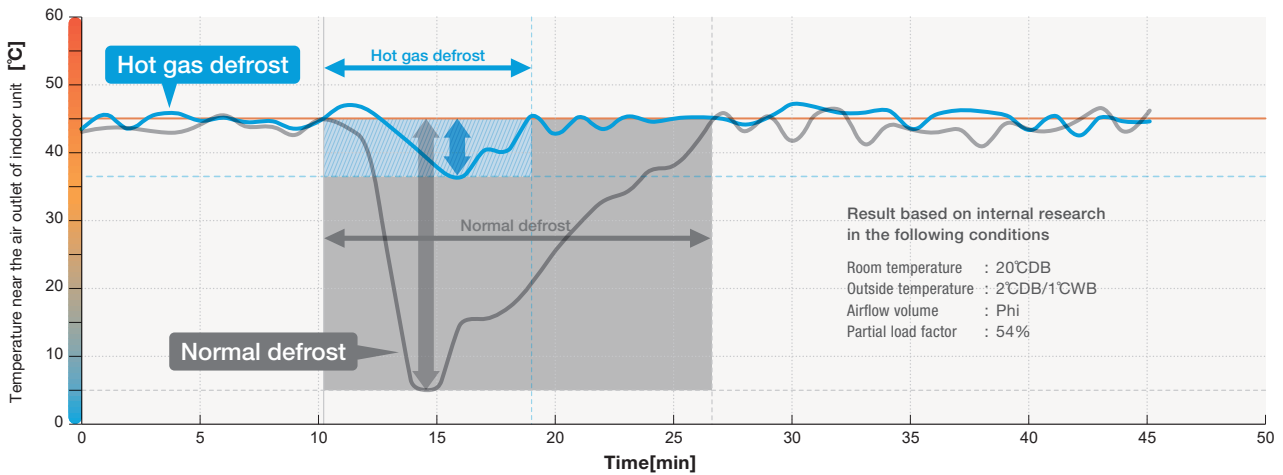
Two defrost modes are prepared, and the defrost is automatically switched according to the amount of frost formation. Hot gas defrost mode enables non-stop heating during defrost operation with of hot gas bypass.

Enhanced heating operation functions



The comparison between the air outlet temperature of normal defrost and hot gas defrost

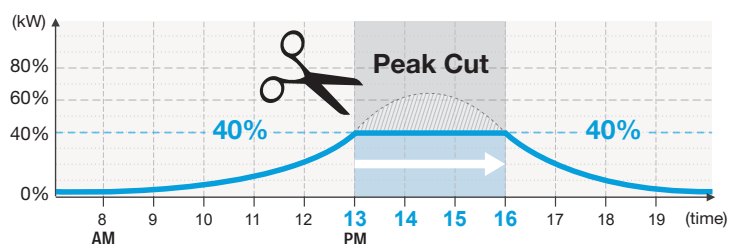
- Reduction in the time period of temperature drop caused by defrost
- Mitigation in temperature drop caused by defrost



Four steps of capacity control

Capacity control with 80%, 60%, 40%, 0% (off)

The **peak cut function** can easily be set on the controller. This function makes the control of the capacity easier and allow a better energy management over the long term. Four steps of capacity control are available with 80%, 60%, 40%, 0% (off). Schedule can be set up to 4 operations/day.



Concept 5

Toughness

Cooling use in high ambient temperature

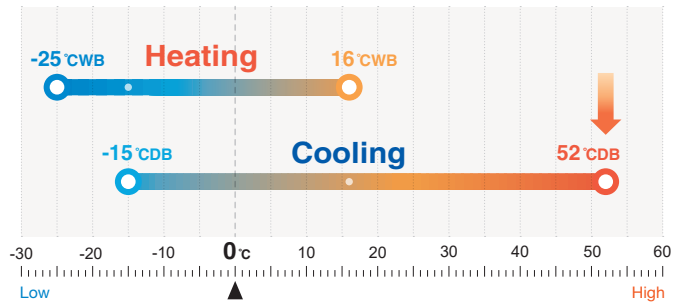
Wide range of operation

Our new advanced technology has expanded the heating and cooling operation range.

KXZ3 series permits an extensible system design with a heating range operation down to -25°C and a cooling range operation up to 52°C .

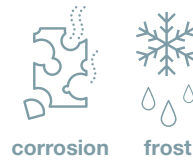


* With limitation to piping length and height difference between indoor and outdoor units.

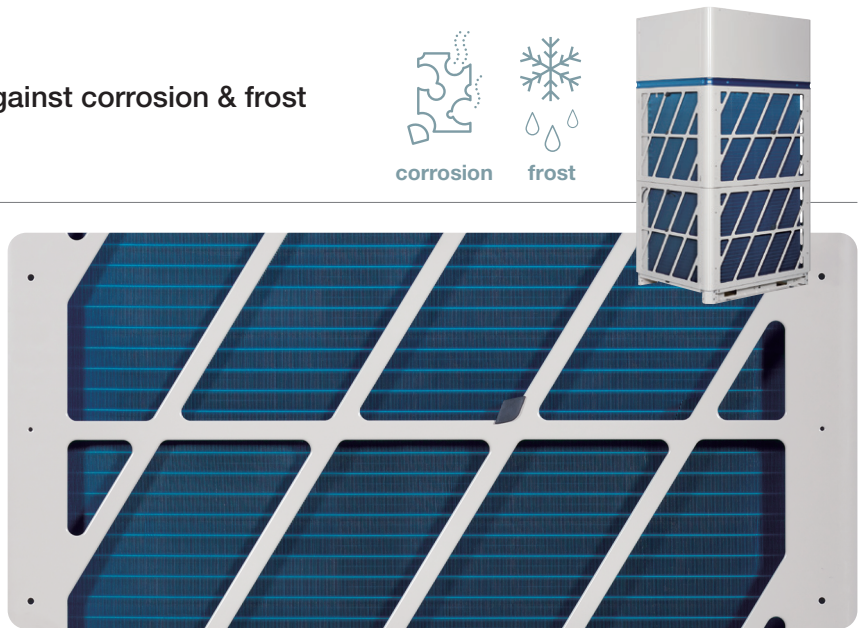


Strengthened resistance against corrosion & frost

Blue fin



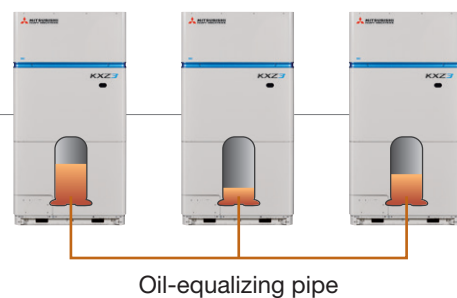
Due to application of blue coated fins on the heat exchanger of the new outdoor unit, corrosion resistance has been improved compared to previous models. Resistance against frost has been strengthened by adopting the energy efficient heat-exchanger.



Long life and efficiency for the system

Oil level control capability

Our proprietary technology adjusts the oil level when combining two or three outdoor units, achieving level operation rate, keeping performance of the units and ensuring long life of the system.



Serviceability

Easy access to replacement parts

Easy access to the control box

The control box is in the upper part of the unit and can now be easily accessed by taking off the upper front panel.

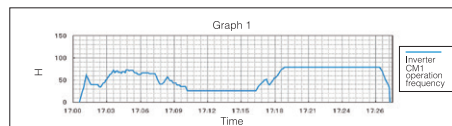


Features

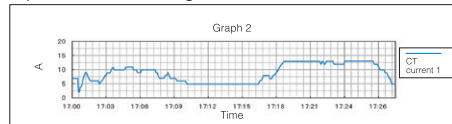
- The total amount of data that can be checked from the remote controller has increased
- Can save the data of the operating conditions 30–180 minutes before malfunction after the power is off (To save data for more than 30 minutes settings must be changed)
- Can now record the running hours of the fan motor

Automatically produced test-run report

Operation data storage during servicing



Operation data storage when a fault occurs



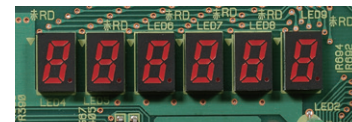
Check Operation

Closing of Service valve, crossing connection of refrigerant piping and electrical wiring, proper operation of EEV (Electrical Expansion Valve) can be checked automatically in cooling operation. It takes 15–30 minutes and avoids frequent failure by preventing careless mistakes during installation.

Monitoring Function

All series include features to assist with servicing and troubleshooting. Various data can be monitored through 3 or 6-digit display on the outdoor unit PCB.

Detailed fault diagnosis and operation history memory via 7-segment display.



SL Checker 2

Remote Control can be operated function from setting Superlink checker.



Back-up Operation

In the event that one unit has a failure, the system will keep operating with the other units.



Energy efficient and environmentally conscious

Several radical design changes and engineering developments have brought about a vast improvement in energy efficiency and environmental protection.

SEER and SCOP is defined in European regulations listed below.

No.2016/2281: requirement for air-heating products, cooling products, high temperature process chillers and fan coil units. Seasonal efficiency is the new way of rating the true efficiency of heating and cooling products over an entire year. Set by the EU's new regulation implementing Eco-Design Directive for Energy related Product (ErP) which specifies the minimum efficiency of air-conditioners manufacturers must integrate into their products. The new Seasonal Efficiency rating system that must be used for heating and cooling by all manufacturers are;

SEER - Seasonal Efficiency Ratio (value in cooling)

This ratio represents the annual cooling performance divided by the annual consumption of electricity for cooling.

SCOP - Seasonal Coefficient of Performance (value in heating)

This ratio is calculated as the divided reference annual heating performance by the annual consumption of electricity for heating.

RoHS - Restriction of Hazardous substances

In order to avoid the release of hazardous substances into the environment, all models have utilized lead-free solder application. It has been considered to be difficult to use lead-free solder for practical applications because it requires higher solder temperatures at assembly, which can jeopardize reliability. However our PbF soldering method can produce a higher quality lead-free printed circuit board.



8-12HP (22.4kW – 33.5kW)



Technical focus

- Available in the R32 refrigerant
- New exterior design containing cutting edge technology
- High SEER with advanced technology
- VTCC+ : advanced variable temperature and capacity control
- Compact design with a small total footprint
- Advanced continuous heating

New!



FDC224-335

■ SPECIFICATIONS

Item		Model	FDC224KXZE3	FDC280KXZE3	FDC335KXZE3
Nominal horse power			8HP	10HP	12HP
Power source			3 Phase 380-415V, 50Hz		
Nominal capacity	Cooling	kW	22.4	28.0	33.5
	Heating	kW	22.4	28.0	33.5
Max heating capacity		kW	25.0	31.5	37.5
Power consumption	Cooling	kW	5.52	8.05	9.69
	Heating	kW	4.58	6.35	7.98
EER			4.06	3.48	3.46
COP			4.90	4.41	4.20
SEER			9.16	8.96	8.57
SCOP			4.82	4.75	4.67
Exterior dimensions (HxWxD)		mm	1750x920x760		
Net weight		kg	262		
Sound power level	Cooling	dB(A)	76	77	82
	Heating	dB(A)	78	83	86
Sound pressure level	Cooling	dB(A)	55	56	60
	Heating	dB(A)	55	60	63
Starting current		A	5		
Max current		A	20.7	23.2	25.7
Refrigerant	Type / GWP		R32 / 675		
	Charge	kg	7.1		
	TCO ₂ Eq		4.793		
Refrigerant piping size	Liquid	mm (in)	ø9.52(3/8")		
	Gas	(in)	ø19.05(3/4")	ø22.22(7/8")	
Total piping length		m	1000		
Outdoor operating temperature range	Cooling	°CDB	-15-52		
	Heating	°CWB	-25-16		
Capacity connection		%	50-150		
Number of connectable indoor units			22	28	33

1. The data are measured under the following conditions (ISO-T1, H1). Cooling: Indoor temp. of 27°CDB, 19°CWB, and outdoor temp. of 35°CDB. Heating: Indoor temp. of 20°CDB, and outdoor temp. of 7°CDB, 6°CWB.
 2. SEER/SCOP are based on EN14825:2018 and Commission regulation (EU) No.2016/2281. Temperature conditions for calculating SCOP are based on "Average climate".
 3. Sound level indicates the value in an anechoic chamber. During operation these values are somewhat higher due to ambient conditions.
 4. 'tonne(s) of CO₂ equivalent' means a quantity of greenhouse gases- expressed as the product of the weight of the greenhouse gases in metric tonnes and of their global warming potential.
 5. Refrigerant contained in the products is a fluorinated greenhouse gas listed in Regulation (EU) No 517/2014.
 6. When connecting the indoor unit type FDK, FDFL, FDFU or FDFW series, limit the connectable capacity not higher than 130%.

16-24HP (44.8kW – 67.0kW)



Technical focus

- Available in the R32 refrigerant
- New exterior design containing cutting edge technology
- High SCOP & SEER with advanced technology
- VTCC+ : advanced variable temperature and capacity control
- Compact design with a small total footprint
- Advanced continuous heating

New!



SPECIFICATIONS

Item	Model	FDC450KXZVE3	FDC500KXZVE3	FDC560KXZVE3	FDC615KXZVE3	FDC670KXZVE3	
Combination (FDC)		224KXZE3	224KXZE3	280KXZE3	280KXZE3	335KXZE3	
		224KXZE3	280KXZE3	280KXZE3	335KXZE3	335KXZE3	
Nominal horse power		16HP	18HP	20HP	22HP	24HP	
Power source		3 Phase 380-415V, 50Hz					
Nominal capacity	Cooling	kW	44.8	50.4	56.0	61.5	67.0
	Heating	kW	44.8	50.4	56.0	61.5	67.0
Max heating capacity		kW	50.0	56.5	63.0	69.0	75.0
Power consumption	Cooling	kW	11.0	13.6	16.1	17.7	19.4
	Heating	kW	9.1	10.9	12.7	14.3	16.0
EER			4.06	3.71	3.48	3.46	3.46
COP			4.90	4.61	4.41	4.29	4.20
SEER			9.16	9.02	8.97	8.74	8.57
SCOP			4.82	4.78	4.75	4.70	4.67
Net weight	kg		524		536	548	
Starting current	A			10			
Max current	A	41.4	43.9	46.4	48.9	51.4	
Refrigerant	Type / GWP	R32 / 675					
	Charge	kg	7.1+7.1			7.1+7.7	7.7+7.7
Refrigerant piping size	Liquid	ø12.7 (1/2")					
	Gas	ø28.58 (11/8")					
	Oil equalization	ø12.7 (1/2")					
Total piping length	m	1000					
Outdoor operating temperature range	Cooling	°CDB					
	Heating	°CWB					
Capacity connection	%	50-150					
Number of connectable indoor units		45	50	56	61	67	

1. The data are measured under the following conditions (ISO-T1, H1). Cooling: Indoor temp. of 27°CDB, 19°CWB, and outdoor temp. of 35°CDB. Heating: Indoor temp. of 20°CDB, and outdoor temp. of 7°CDB, 6°CWB.

2. SEER/SCOP are based on EN14825:2018 and Commission regulation (EU) No.2016/2281. Temperature conditions for calculating SCOP are based on "Average climate".

3. Sound level indicates the value in an anechoic chamber. During operation these values are somewhat higher due to ambient conditions.

4. 'tonne(s) of CO₂ equivalent' means a quantity of greenhouse gases- expressed as the product of the weight of the greenhouse gases in metric tonnes and of their global warming potential.

5. Refrigerant contained in the products is a fluorinated greenhouse gas listed in Regulation (EU) No 517/2014.

6. When connecting the indoor unit type FDK, FDFL, FDFU or FDFW series, limit the connectable capacity not higher than 130%.

26-30HP (72.8kW – 84.0kW)



Technical focus

- Available in the R32 refrigerant
- New exterior design containing cutting edge technology
- High SCOP & SEER with advanced technology
- VTCC⁺ : advanced variable temperature and capacity control
- Compact design with a small total footprint
- Advanced continuous heating

New!



FDC735-850

■ SPECIFICATIONS

Item	Model	FDC735KXZVE3	FDC800KXZVE3	FDC850KXZVE3	
Combination (FDC)		224KXZE3	224KXZE3	280KXZE3	
		224KXZE3	280KXZE3	280KXZE3	
		280KXZE3	280KXZE3	280KXZE3	
Nominal horse power		26HP	28HP	30HP	
Power source		3 Phase 380-415V, 50Hz			
Nominal capacity	Cooling	kW	72.8	78.4	84.0
	Heating	kW	72.8	78.4	84.0
Max heating capacity	kW	81.5	88.0	94.5	
Power consumption	Cooling	kW	19.1	21.6	24.1
	Heating	kW	15.5	17.3	19.0
EER		3.81	3.62	3.48	
COP		4.69	4.53	4.41	
SEER		9.07	9.02	8.97	
SCOP		4.79	4.78	4.75	
Net weight	kg	786			
Starting current	A	15			
Max current	A	64.6	67.1	69.6	
Refrigerant	Type / GWP	R32 / 675			
	Charge	kg	7.1x3		
Refrigerant piping size	Liquid	ø15.88(5/8")			
	Gas	ø34.92(1-3/8")			
	Oil equalization	ø12.7 (1/2")			
Total piping length	m	1000			
Outdoor operating temperature range	Cooling	°CDB -15-52			
	Heating	°CWB -25-16			
Capacity connection	%	50-150			
Number of connectable indoor units		73	80		

1. The data are measured under the following conditions (ISO-T1, H1). Cooling: Indoor temp. of 27°CDB, 19°CWB, and outdoor temp. of 35°CDB. Heating: Indoor temp. of 20°CDB, and outdoor temp. of 7°CDB, 6°CWB.
 2. SEER/SCOP are based on EN14825:2018 and Commission regulation (EU) No.2016/2281. Temperature conditions for calculating SCOP are based on "Average climate".
 3. Sound level indicates the value in an anechoic chamber. During operation these values are somewhat higher due to ambient conditions.
 4. 'tonne(s) of CO₂ equivalent' means a quantity of greenhouse gases- expressed as the product of the weight of the greenhouse gases in metric tonnes and of their global warming potential.
 5. Refrigerant contained in the products is a fluorinated greenhouse gas listed in Regulation (EU) No 517/2014.
 6. When connecting the indoor unit type FDK, FDFL, FDFU or FDFW series, limit the connectable capacity not higher than 130%.

32-36HP (89.5kW – 100.5kW)



Technical focus

- Available in the R32 refrigerant
- New exterior design containing cutting edge technology
- High SCOP & SEER with advanced technology
- VTCC+ : advanced variable temperature and capacity control
- Compact design with a small total footprint
- Advanced continuous heating

New!



FDC900-1000

SPECIFICATIONS

Item	Model	FDC900KXZVE3	FDC950KXZVE3	FDC1000KXZVE3	
Combination (FDC)		280KXZE3	280KXZE3	335KXZE3	
		280KXZE3	335KXZE3	335KXZE3	
		335KXZE3	335KXZE3	335KXZE3	
Nominal horse power		32HP	34HP	36HP	
Power source		3 Phase 380-415V, 50Hz			
Nominal capacity	Cooling	kW	89.5	95.0	100.5
	Heating	kW	89.5	95.0	100.5
Max heating capacity		kW	100.5	106.5	112.5
Power consumption	Cooling	kW	25.8	27.4	29.0
	Heating	kW	20.7	22.3	23.9
EER			3.47	3.46	3.46
COP			4.32	4.25	4.20
SEER			8.81	8.68	8.57
SCOP			4.72	4.69	4.67
Net weight	kg	798	810	822	
Starting current	A		15		
Max current	A	72.1	74.6	77.1	
Refrigerant	Type / GWP		R32 / 675		
	Charge	kg	7.1+7.1+7.7	7.1+7.7+7.7	7.7x3
Refrigerant piping size	Liquid	mm	ø15.88(5/8")		
	Gas	(in)	ø34.92(1-3/8")		
	Oil equalization		ø12.7 (1/2")		
Total piping length	m		1000		
Outdoor operating temperature range	Cooling	°CDB	-15-52		
	Heating	°CWB	-25-16		
Capacity connection	%		50-150		
Number of connectable indoor units			80		

1. The data are measured under the following conditions (ISO-T1, H1). Cooling: Indoor temp. of 27°CDB, 19°CWB, and outdoor temp. of 35°CDB. Heating: Indoor temp. of 20°CDB, and outdoor temp. of 7°CDB, 6°CWB.
 2. SEER/SCOP are based on EN14825:2018 and Commission regulation (EU) No.2016/2281. Temperature conditions for calculating SCOP are based on "Average climate".
 3. Sound level indicates the value in an anechoic chamber. During operation these values are somewhat higher due to ambient conditions.
 4. 'tonne(s) of CO₂ equivalent' means a quantity of greenhouse gases- expressed as the product of the weight of the greenhouse gases in metric tonnes and of their global warming potential.
 5. Refrigerant contained in the products is a fluorinated greenhouse gas listed in Regulation (EU) No 517/2014.
 6. When connecting the indoor unit type FDK, FDL, FDFU or FDFW series, limit the connectable capacity not higher than 130%.

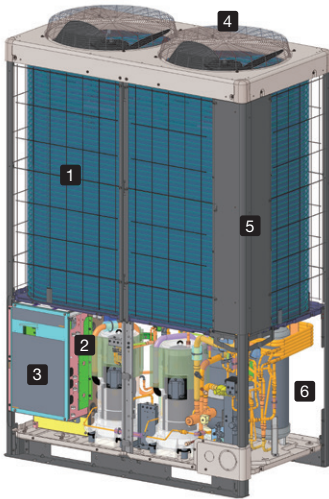
KXZ2 series

KXZ2



Flexible Design

The KXZ2 series has a layered design and a refined new form. The flexibility in design and ease of installation are further enhanced to provide optimum response to medium and large building air-conditioning systems.

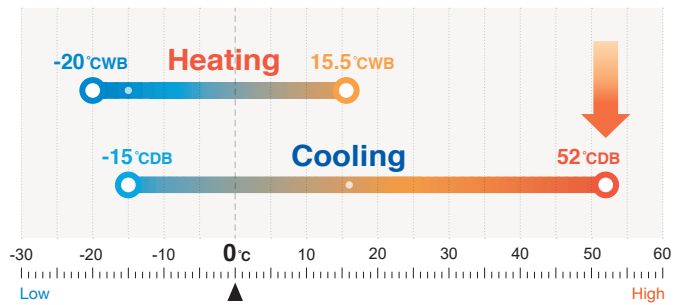


- 1 Highly efficient Heat exchanger
- 2 Optimised duct shape
- 3 Inverter control
- 4 DC Fan Motor
- 5 Rounded design
- 6 Compressor

The compressor has improved the units efficiency by innovating the thrust plate. Resulting a reduced friction loss, and increased reliability.

Wide range operation

Cooling range operation up to **52°C***

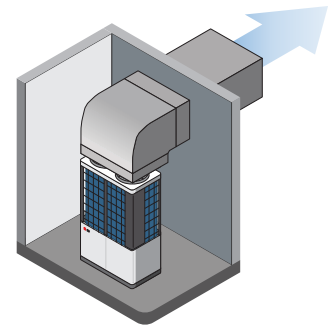


* With limitation to piping length and height difference between indoor and outdoor units.

Extended external static pressure

Max:
50 Pa to 85 Pa

Flexibility to meet installation location needs.



Indoor unit capacity connection

Increased number of connectable units and max capacity connection

(compared to KXZE1)



HP	10	12	14	16	17	18	20	22	24	26	28	30	32	34
Numbers	37	44	53	60	50	53	59	65	71	78	80			
IU Capacity connection	50 - 200% (*1)						50 - 160% (*1)							

HP	36	38	40	42	44	46	48	50	52	54	56	58	60
Numbers	80												
IU Capacity connection	50 - 130% (*1)												

(*1) When connecting the indoor unit type FDK, FDFL, FDFU or FDFW series, limit the connectable capacity not higher than 130%.

Technology

CHCC

Continuous Heating Capacity Control

Our CHCC defrosting control has been added to our KXZ2 system and allows to achieve greater capacities than that of our previous model in low ambient temperature conditions. CHCC controls the target pressure automatically before the capacity drops, which increases the period of heating operation and reduces the systems defrosting time.

VTCC

Energy Savings*
34%

Variable Temperature and Capacity Control

VTCC adjusts the target pressure of the refrigerant cycle in the outdoor unit automatically according to the demand of the indoor units in partial load conditions. These smooth adjustments ensure optimal usage of the indoor units as well as maximised energy savings. Ultimately this also increases comfort for the user.

* 34% energy savings are based on comparison with a KXZ standard model with VTCC vs. a KXZ standard model both under partial local condition.

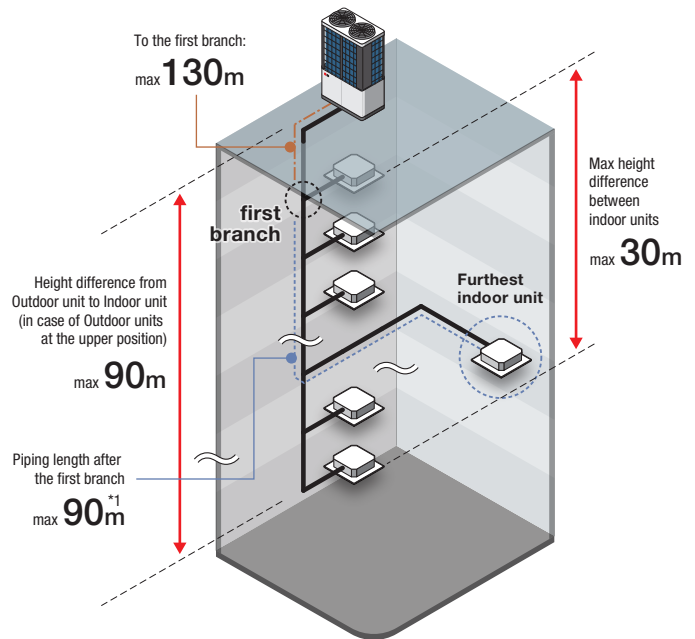
Long Pipe length

Total length :
1,000m

Furthest indoor unit:
Actual length: **160m**
Equivalent length: **185m**

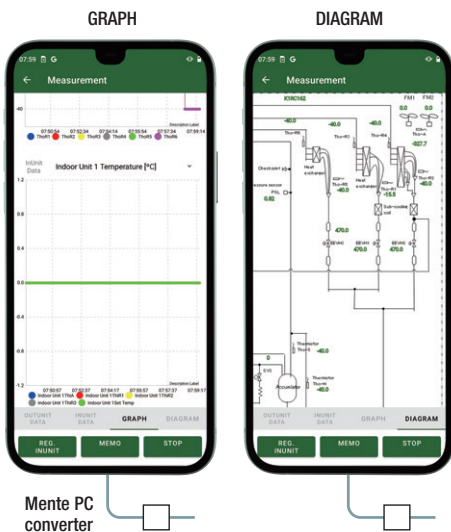
The maximum height difference between indoor units is a maximum of 30m, and the maximum height difference between the outdoor unit and indoor unit is 90m. For with few limitations, contributes to system design flexibility.

*1 The difference between the longest and the shortest indoor unit piping from the first branch must be within 40m. (MAX85m)

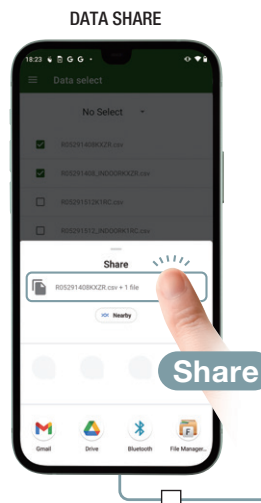


Field service with smart device

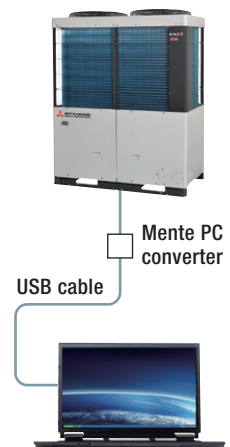
Android™ only



Monitoring and service task could now be done with a smartphone or a tablet by connecting to the Mente PC converter.



The data collected via the smart device could also be sent and viewed with our service software Mente PC.



To your PC monitoring and service tasks made simple with our service software ("Mente PC").

*Android is a trademarks or registered trademarks of Google LLC.

10, 12HP (28.0kW · 33.5kW)



Technical focus

- The KXZ2 series has a layered design and a refined new form
- High efficiency with EER up to 3.86
- VTCC : advanced variable temperature and capacity control
- Total piping length up to 1000m and a maximum height difference between indoor unit is maximum of 30m.
- Wide range of operation.



Uniform footprint of models allows continuous side-by-side installation



FDC280 · 335

SPECIFICATIONS

Item		Model	FDC280KXZE2	FDC335KXZE2
Nominal horse power			10HP	12HP
Power source			3 Phase 380-415V, 50Hz	
Nominal capacity	Cooling	kW	28.0	33.5
	Heating		31.5	37.5
Max heating capacity		kW	31.5	37.5
Power consumption ^{*1}	Cooling	kW	7.25	8.98
	Heating		7.41	9.03
EER ^{*1}			3.86	3.73
COP ^{*1}			4.25	4.15
SEER ^{*1}			7.30	7.54
SCOP ^{*1}			4.88	4.68
SEER ^{*2}			7.15	7.40
SCOP ^{*2}			4.88	4.68
Exterior dimensions (HxWxD)		mm	1697x1350x720	
Net weight		kg	288	
Sound power level ^{*1}	Cooling	dB(A)	75	82
	Heating		76	81
Sound pressure level	Cooling	dB(A)	56	63
	Heating		57	62
Starting current		A	5	
Max current		A	20.1	
Refrigerant	Type / GWP		R410A / 2088	
	Charge	kg	11.0	
	TCO ₂ Eq		22.968	
Refrigerant piping size	Liquid	mm (in)	ø9.52(3/8")	ø12.7(1/2")
	Gas		ø22.22(7/8")	ø25.4(1") [ø22.22(7/8")]
Total piping length		m	1000	
Outdoor operating temperature range	Cooling	°CDB	-15-52	
	Heating	°CWB	-20-15.5	
Capacity connection		%	50-200	
Number of connectable indoor units			37	44

1. The data are measured under the following conditions (ISO-T1, H1). Cooling: Indoor temp. of 27°CDB, 19°CWB, and outdoor temp. of 35°CDB. Heating: Indoor temp. of 20°CDB, and outdoor temp. of 7°CDB, 6°CWB.
 2. SEER/SCOP are based on EN14825:2016 and Commission regulation (EU) No.2016/2281. Temperature conditions for calculating SCOP are based on "Average climate".
 3. Sound level indicates the value in an anechoic chamber. During operation these values are somewhat higher due to ambient conditions.
 4. 'tonne(s) of CO₂ equivalent' means a quantity of greenhouse gases- expressed as the product of the weight of the greenhouse gases in metric tonnes and of their global warming potential.
 5. Refrigerant contained in the products is a fluorinated greenhouse gas listed in Regulation (EU) No 517/2014.
 6. Refrigerant piping size applicable to European installations are shown in parentheses.

*1 Lot 6/21 performances.

*2 Seasonal efficiency of Eurovent certification condition SEER/SCOP certified value according to the max air flow limit of 275m³/h/kW stated in the Eurovent certification rules.

14-20HP (40.0kW – 56.0kW)



Technical focus

- The KXZ2 series has a layered design and a refined new form
- High efficiency with EER up to 3.64
- VTCC : advanced variable temperature and capacity control
- Total piping length up to 1000m and a maximum height difference between indoor unit is maximum of 30m.
- Wide range of operation.



Uniform footprint of all models allows continuous side-by-side installation



FDC400-560

SPECIFICATIONS

Item	Model	FDC400KXZE2	FDC450KXZE2	FDC475KXZE2	FDC500KXZE2	FDC560KXZE2
Nominal horse power		14HP	16HP	17HP	18HP	20HP
Power source		3 Phase 380-415V, 50Hz				
Nominal capacity	Cooling	40.0	45.0	47.5	50.0	56.0
	Heating	45.0	50.0	53.0	56.0	63.0
Max heating capacity	kW	45.0	50.0	53.0	56.0	63.0
Power consumption ^{*1}	Cooling	10.98	13.98	13.97	14.01	17.50
	Heating	10.23	12.50	12.99	13.56	16.15
EER ^{*1}		3.64	3.22	3.40	3.57	3.20
COP ^{*1}		4.40	4.00	4.08	4.13	3.90
SEER ^{*1}		7.12	7.01	6.84	7.29	6.73
SCOP ^{*1}		4.87	4.36	4.45	4.58	4.30
SEER ^{*2}		7.00	6.90	6.68	7.12	6.60
SCOP ^{*2}		4.87	4.36	4.45	4.58	4.30
Exterior dimensions (HxWxD)	mm	2052x1350x720				
Net weight	kg	332		378		
Sound power level ^{*1}	Cooling	80	81	81	81	82
	Heating	82	82	81	82	83
Sound pressure level	Cooling	60	61	61	61	63
	Heating	62	62	61	62	64
Starting current	A	5		8		
Max current	A	32.0		40.2		
Refrigerant	Type / GWP	R410A / 2088				
	Charge	11.5				
	TCO ₂ Eq	24.012				
Refrigerant piping size	Liquid	ø12.7(1/2")				
	Gas	ø25.4(1") [ø28.58(1-1/8")]		ø28.58(1-1/8")		
Total piping length	m	1000				
Outdoor operating temperature range	Cooling	-15-52				
	Heating	-20-15.5				
Capacity connection	%	50-200		50-160		
Number of connectable indoor units		53	60	50	53	59

1. The data are measured under the following conditions (ISO-T1, H1). Cooling: Indoor temp. of 27°CDB, 19°CWB, and outdoor temp. of 35°CDB. Heating: Indoor temp. of 20°CDB, and outdoor temp. of 7°CDB, 6°CWB.
 2. SEER/SCOP are based on EN14825:2016 and Commission regulation (EU) No.2016/2281. Temperature conditions for calculating SCOP are based on "Average climate".
 3. Sound level indicates the value in an anechoic chamber. During operation these values are somewhat higher due to ambient conditions.
 4. 'tonne(s) of CO₂ equivalent' means a quantity of greenhouse gases- expressed as the product of the weight of the greenhouse gases in metric tonnes and of their global warming potential.
 5. Refrigerant contained in the products is a fluorinated greenhouse gas listed in Regulation (EU) No 517/2014.
 6. Refrigerant piping size applicable to European installations are shown in parentheses.

*1 Lot 6/21 performances.

*2 Seasonal efficiency of Eurovent certification condition SEER/SCOP certified value according to the max air flow limit of 275m³/h/kW stated in the Eurovent certification rules.

22-26HP (61.5kW – 73.5kW)



Technical focus

- The KXZ2 series has a layered design and a refined new form
- High efficiency with EER up to 3.79
- VTCC : advanced variable temperature and capacity control
- Total piping length up to 1000m and a maximum height difference between indoor unit is maximum of 30m.
- Wide range of operation.



FDC615 · 670



FDC735

■ SPECIFICATIONS

Item		Model	FDC615KXZE2	FDC670KXZE2	FDC735KXZE2
Combination (FDC)			280KXZE2	335KXZE2	335KXZE2
			335KXZE2	335KXZE2	400KXZE2
Nominal horse power			22HP	24HP	26HP
Power source			3 Phase 380-415V, 50Hz		
Nominal capacity	Cooling	kW	61.5	67.0	73.5
	Heating		69.0	75.0	82.5
Power consumption	Cooling	kW	16.24	17.96	19.96
	Heating		16.44	18.06	19.26
EER			3.79	3.73	3.68
COP			4.20	4.15	4.28
Net weight		kg	576		
Starting current		A	10		
Max current		A	40.2		
Refrigerant	Type / GWP		R410A / 2088		
	Charge	kg	11.0+11.0		11.0+11.5
Refrigerant piping size	Liquid	mm	ø12.7(1/2")		
	Gas	(in)	ø28.58(1-1/8")		
	Oil equalization		ø9.52 (3/8")		
Total piping length		m	1000		
Outdoor operating temperature range	Cooling	°CDB	-15-52		
	Heating	°CWB	-20-15.5		
Capacity connection		%	50-160		
Number of connectable indoor units			65	71	78

1. The data are measured under the following conditions (ISO-T1, H1). Cooling: Indoor temp. of 27°CDB, 19°CWB, and outdoor temp. of 35°CDB. Heating: Indoor temp. of 20°CDB, and outdoor temp. of 7°CDB, 6°CWB.
2. Sound level indicates the value in an anechoic chamber. During operation these values are somewhat higher due to ambient conditions.
3. Refrigerant piping size applicable to European installations are shown in parentheses.

28-40HP (80.0kW – 112.0kW)



Technical focus

- The KXZ2 series has a layered design and a refined new form
- High efficiency with EER up to 3.64
- VTCC : advanced variable temperature and capacity control
- Total piping length up to 1000m and a maximum height difference between indoor unit is maximum of 30m.
- Wide range of operation.



FDC800-1120

■ SPECIFICATIONS

Item	Model	FDC800KXZE2	FDC850KXZE2	FDC900KXZE2	FDC950KXZE2	FDC1000KXZE2	FDC1060KXZE2	FDC1120KXZE2	
Combination (FDC)		400KXZE2	400KXZE2	450KXZE2	475KXZE2	500KXZE2	500KXZE2	560KXZE2	
		400KXZE2	450KXZE2	450KXZE2	475KXZE2	500KXZE2	560KXZE2	560KXZE2	
Nominal horse power		28HP	30HP	32HP	34HP	36HP	38HP	40HP	
Power source		3 Phase 380-415V, 50Hz							
Nominal capacity	Cooling	kW	80.0	85.0	90.0	95.0	100.0	106.0	112.0
	Heating		90.0	95.0	100.0	106.0	112.0	119.0	126.0
Power consumption	Cooling	kW	21.96	24.96	27.95	27.94	28.02	31.51	35.00
	Heating		20.45	22.73	25.00	25.98	27.12	29.71	32.31
EER			3.64	3.41	3.22	3.40	3.57	3.36	3.20
COP			4.40	4.18	4.00	4.08	4.13	4.01	3.90
Net weight	kg	664			756				
Starting current	A	10			16				
Max current	A	64.0			80.4				
Refrigerant	Type / GWP	R410A / 2088							
	Charge	kg	11.5+11.5						
Refrigerant piping size	Liquid	ø15.88(5/8")					ø19.05(3/4")		
	Gas	ø31.75(1-1/4") [ø34.92(1-3/8")]				ø38.1(1-1/2") [ø34.92(1-3/8")]			
	Oil equalization	ø9.52 (3/8")							
Total piping length	m	1000							
Outdoor operating temperature range	Cooling	°CDB -15-52							
	Heating	°CWB -20-15.5							
Capacity connection	%	50-160				50-130			
Number of connectable indoor units		80							

1. The data are measured under the following conditions (ISO-T1, H1). Cooling: Indoor temp. of 27°CDB, 19°CWB, and outdoor temp. of 35°CDB. Heating: Indoor temp. of 20°CDB, and outdoor temp. of 7°CDB, 6°CWB.
 2. Sound level indicates the value in an anechoic chamber. During operation these values are somewhat higher due to ambient conditions.
 3. Refrigerant piping size applicable to European installations are shown in parentheses.

42-50HP (120.0kW – 142.5kW)



Technical focus

- The KXZ2 series has a layered design and a refined new form
- High efficiency with EER up to 3.64
- VTCC : advanced variable temperature and capacity control
- Total piping length up to 1000m and a maximum height difference between indoor unit is maximum of 30m.
- Wide range of operation.



FDC1200-1425

■ SPECIFICATIONS

Item	Model	FDC1200KXZE2	FDC1250KXZE2	FDC1300KXZE2	FDC1350KXZE2	FDC1425KXZE2	
Combination (FDC)		400KXZE2	400KXZE2	400KXZE2	450KXZE2	475KXZE2	
		400KXZE2	400KXZE2	450KXZE2	450KXZE2	475KXZE2	
		400KXZE2	450KXZE2	450KXZE2	450KXZE2	475KXZE2	
Nominal horse power		42HP	44HP	46HP	48HP	50HP	
Power source		3 Phase 380-415V, 50Hz					
Nominal capacity	Cooling	120.0	125.0	130.0	135.0	142.5	
	Heating	135.0	140.0	145.0	150.0	159.0	
Power consumption	Cooling	32.94	35.94	38.93	41.93	41.91	
	Heating	30.68	32.95	35.23	37.50	38.97	
EER		3.64	3.48	3.34	3.22	3.40	
COP		4.40	4.25	4.12	4.00	4.08	
Net weight	kg	996					1134
Starting current	A	15					24
Max current	A	96.0					120.6
Refrigerant	Type / GWP	R410A / 2088					
	Charge	11.5x3					
Refrigerant piping size	Liquid	ø19.05(3/4")					
	Gas	ø38.1(1-1/2") [ø34.92(1-3/8")]					
	Oil equalization	ø9.52 (3/8")					
Total piping length	m	1000					
Outdoor operating temperature range	Cooling	°CDB -15-52					
	Heating	°CWB -20-15.5					
Capacity connection	%	50-130					
Number of connectable indoor units		80					

1. The data are measured under the following conditions (ISO-T1, H1). Cooling: Indoor temp. of 27°CDB, 19°CWB, and outdoor temp. of 35°CDB. Heating: Indoor temp. of 20°CDB, and outdoor temp. of 7°CDB, 6°CWB.
 2. Sound level indicates the value in an anechoic chamber. During operation these values are somewhat higher due to ambient conditions.
 3. Refrigerant piping size applicable to European installations are shown in parentheses.

52-60HP (145.0kW – 168.0kW)



Technical focus

- The KXZ2 series has a layered design and a refined new form
- High efficiency with EER up to 3.57
- VTCC : advanced variable temperature and capacity control
- Total piping length up to 1000m and a maximum height difference between indoor unit is maximum of 30m.
- Wide range of operation.



FDC1450-1680

■ SPECIFICATIONS

Item	Model	FDC1450KXZE2	FDC1500KXZE2	FDC1560KXZE2	FDC1620KXZE2	FDC1680KXZE2
Combination (FDC)		475KXZE2	500KXZE2	500KXZE2	500KXZE2	560KXZE2
		475KXZE2	500KXZE2	500KXZE2	560KXZE2	560KXZE2
		500KXZE2	500KXZE2	560KXZE2	560KXZE2	560KXZE2
Nominal horse power		52HP	54HP	56HP	58HP	60HP
Power source		3 Phase 380-415V, 50Hz				
Nominal capacity	Cooling	145.0	150.0	156.0	162.0	168.0
	Heating	162.0	168.0	175.0	182.0	189.0
Power consumption	Cooling	41.95	42.03	45.52	49.01	52.50
	Heating	39.54	40.68	43.27	45.87	48.46
EER		3.46	3.57	3.43	3.31	3.20
COP		4.10	4.13	4.04	3.97	3.90
Net weight	kg	1134				
Starting current	A	24				
Max current	A	120.6				
Refrigerant	Type / GWP	R410A / 2088				
	Charge	11.5x3				
Refrigerant piping size	Liquid	ø19.05(3/4")				
	Gas	ø38.1(1-1/2") [ø34.92(1-3/8")]				
	Oil equalization	ø9.52 (3/8")				
Total piping length	m	1000				
Outdoor operating temperature range	Cooling	°CDB -15-52				
	Heating	°CWB -20-15.5				
Capacity connection	%	50-130				
Number of connectable indoor units		80				

1. The data are measured under the following conditions (ISO-T1, H1). Cooling: Indoor temp. of 27°CDB, 19°CWB, and outdoor temp. of 35°CDB. Heating: Indoor temp. of 20°CDB, and outdoor temp. of 7°CDB, 6°CWB.
 2. Sound level indicates the value in an anechoic chamber. During operation these values are somewhat higher due to ambient conditions.
 3. Refrigerant piping size applicable to European installations are shown in parentheses.

20-32HP (56.0kW – 89.5kW)



Technical focus

- The KXZ2 series has a layered design and a refined new form
- High efficiency with EER up to 3.86
- VTCC : advanced variable temperature and capacity control
- Total piping length up to 1000m and a maximum height difference between indoor unit is maximum of 30m.
- Wide range of operation.



FDC560



FDC850 · 900

SPECIFICATIONS

Item		Model	FDC560KXZXE2	FDC850KXZXE2	FDC900KXZXE2
Combination (FDC)			280KXZE2	280KXZE2	280KXZE2
			280KXZE2	280KXZE2	280KXZE2
			-	280KXZE2	335KXZE2
Nominal horse power			20HP	30HP	32HP
Power source			3 Phase 380-415V, 50Hz		
Nominal capacity	Cooling	kW	56.0	84.0	89.5
	Heating		63.0	94.5	100.5
Power consumption	Cooling	kW	14.51	21.76	23.49
	Heating		14.82	22.23	23.85
EER			3.86	3.86	3.81
COP			4.25	4.25	4.21
Net weight		kg	576	864	
Starting current		A	10	15	
Max current		A	40.2	60.3	
Refrigerant	Type / GWP		R410A / 2088		
	Charge	kg	11.0+11.0	11.0x3	
Refrigerant piping size	Liquid	mm	ø12.7(1/2")	ø15.88(5/8")	
	Gas	mm (in)	ø28.58(1-1/8")	ø31.75(1-1/4") [ø34.92(1-3/8")]	
	Oil equalization			ø9.52 (3/8")	
Total piping length		m	1000		
Outdoor operating temperature range	Cooling	°CDB	-15-52		
	Heating	°CWB	-20-15.5		
Capacity connection		%	80-160		
Number of connectable indoor units			59	80	

1. The data are measured under the following conditions (ISO-T1, H1). Cooling: Indoor temp. of 27°CDB, 19°CWB, and outdoor temp. of 35°CDB. Heating: Indoor temp. of 20°CDB, and outdoor temp. of 7°CDB, 6°CWB.
 2. Sound level indicates the value in an anechoic chamber. During operation these values are somewhat higher due to ambient conditions.
 3. Refrigerant piping size applicable to European installations are shown in parentheses.

34-40HP (95.0kW – 113.5kW)



Technical focus

- The KXZ2 series has a layered design and a refined new form
- High efficiency with EER up to 3.77
- VTCC : advanced variable temperature and capacity control
- Total piping length up to 1000m and a maximum height difference between indoor unit is maximum of 30m.
- Wide range of operation.



■ SPECIFICATIONS

Item	Model	FDC950KXZXE2	FDC1000KXZXE2	FDC1060KXZXE2	FDC1120KXZXE2
Combination (FDC)		280KXZE2	335KXZE2	335KXZE2	335KXZE2
		335KXZE2	335KXZE2	335KXZE2	400KXZE2
		335KXZE2	335KXZE2	400KXZE2	400KXZE2
Nominal horse power		34HP	36HP	38HP	40HP
Power source		3 Phase 380-415V, 50Hz			
Nominal capacity	Cooling	95.0	100.5	107.0	113.5
	Heating	106.5	112.5	120.0	127.5
Power consumption	Cooling	25.22	26.94	28.94	30.94
	Heating	25.47	27.09	28.29	29.48
EER		3.77	3.73	3.70	3.67
COP		4.18	4.15	4.24	4.32
Net weight	kg	864		908	952
Starting current	A	15			
Max current	A	60.3		72.2	84.1
Refrigerant	Type / GWP	R410A / 2088			
	Charge	kg	11.0x3		11.0+11.0+11.5
Refrigerant piping size	Liquid	ø15.88(5/8")		ø19.05(3/4")	
	Gas	ø31.75(1-1/4") [ø34.92(1-3/8")]		ø38.1(1-1/2") [ø34.92(1-3/8")]	
	Oil equalization	ø9.52 (3/8")			
Total piping length	m	1000			
Outdoor operating temperature range	Cooling	°CDB -15-52			
	Heating	°CWB -20-15.5			
Capacity connection	%	80-160		80-130	
Number of connectable indoor units		80			

1. The data are measured under the following conditions (ISO-T1, H1). Cooling: Indoor temp. of 27°CDB, 19°CWB, and outdoor temp. of 35°CDB. Heating: Indoor temp. of 20°CDB, and outdoor temp. of 7°CDB, 6°CWB.
 2. Sound level indicates the value in an anechoic chamber. During operation these values are somewhat higher due to ambient conditions.
 3. Refrigerant piping size applicable to European installations are shown in parentheses.

KXZ2 series

Heat Recovery Systems

for simultaneous heating and cooling



Flexibility and Performance

The heat recovery systems operate with 3 inter-connecting pipes, commonly referred to as a '3-pipe system'.

The systems provide both heating and cooling operations simultaneously to individual indoor units according to room conditions or user requirements. The systems incorporate highly sophisticated controls transferring heat load energy from the entire building to provide an efficient, comfortable heating and cooling environment.

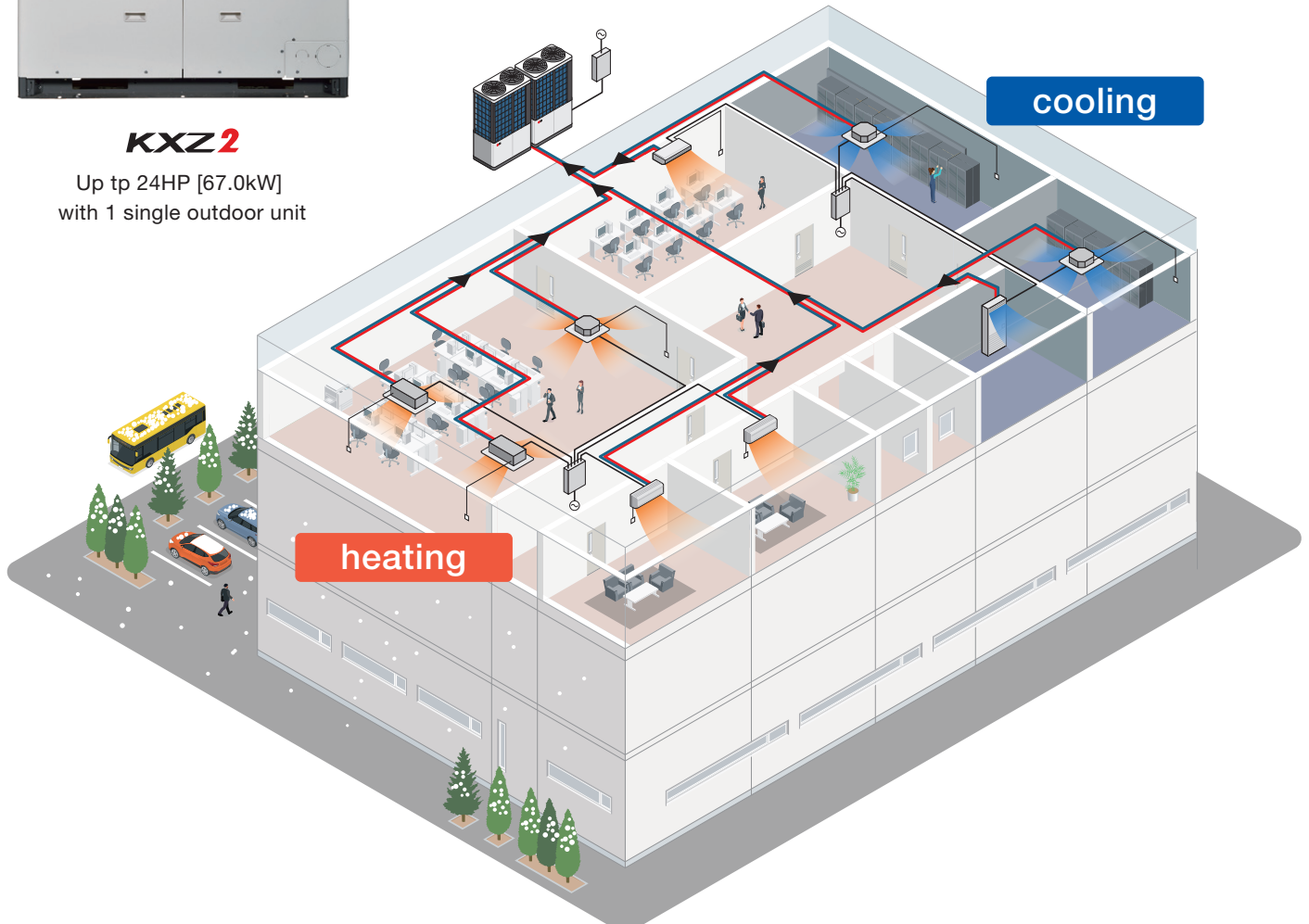
The range starts from a cooling capacity of 8 HP (22.4 kW) and expands up to 24 HP (67.0kW) using a single outdoor unit. Outdoor units can also be used as a modular system (twin or triple) providing up to 60 HP (168.0 kW) of cooling capacity.



KXZ2

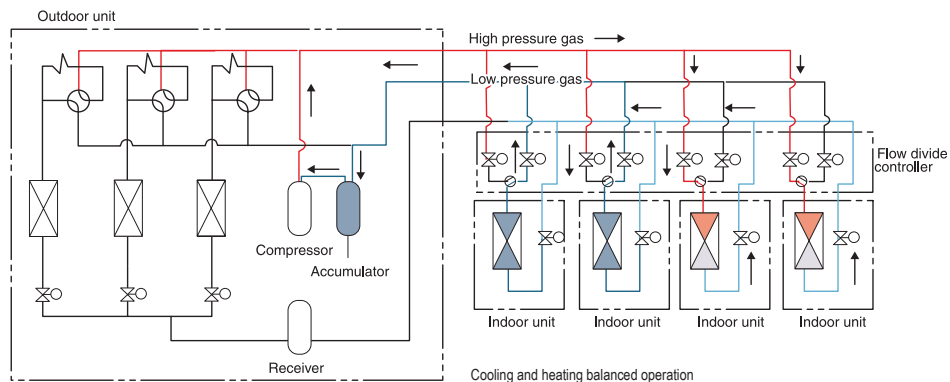
Up to 24HP [67.0kW]
with 1 single outdoor unit

Example of simultaneous heating and cooling



Heat recovery systems

The system interconnecting pipework has a unique arrangement, with two of the interconnecting pipes routed through a PFD Distribution Controller, and the third pipe connected directly to each indoor unit from the main pipe run. This reduces installation time, and the number of brazed connections on site. The PFD Distribution Controllers are available for single connection, or as a combined PFD 4-way connection, with each connected unit having independent cooling or heating operation.



During defrosting or during automatic protection of a compressor, which is activated every several hours in heating operation, heating operation temporarily stops and restarts after some period. The series has the same automatic protection of compressor in cooling operation also. During this protection period air flow only comes on and cooling operation restarts after some period. These models are not suitable for year round cooling applications -such as server rooms- especially in areas where the outdoor air temperature goes below 5°C.

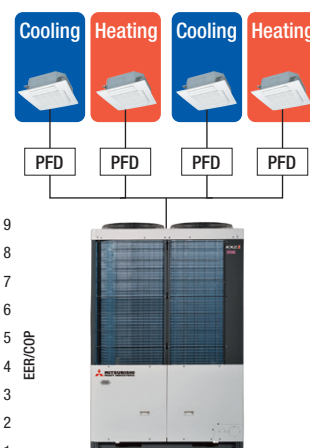
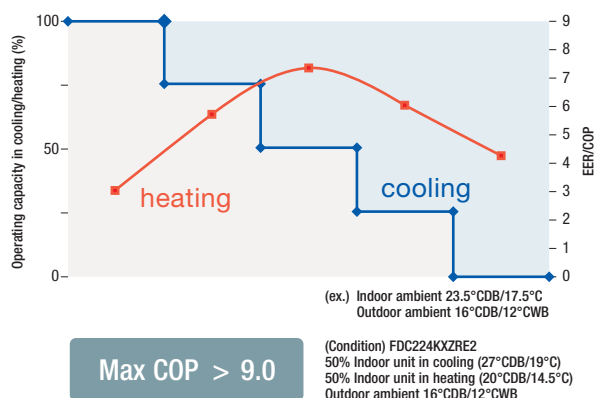
Heat recovery features

High efficiency in simultaneous heating and cooling mode

Highly efficient operation mode is automatically determined inside the refrigerant system during simultaneous cooling and heating operation. Heat recovery efficiency is maximized by this control and Max COP 9.0 (*) is achieved during operation with simultaneous cooling and heating.

* Conditions for simultaneous cooling and heating (Our estimation in 8HP operation and the following conditions: Temperature outside the room DB16°C/WB12°C, temperature in the cooled room DB27°C/19°C, and temperature in the heated room DB20°C/WB14.5°C)

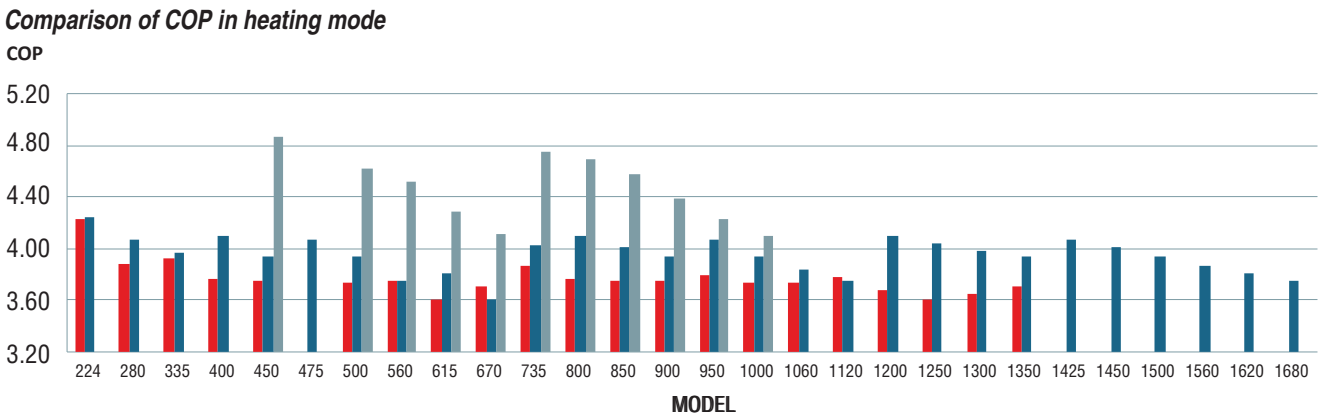
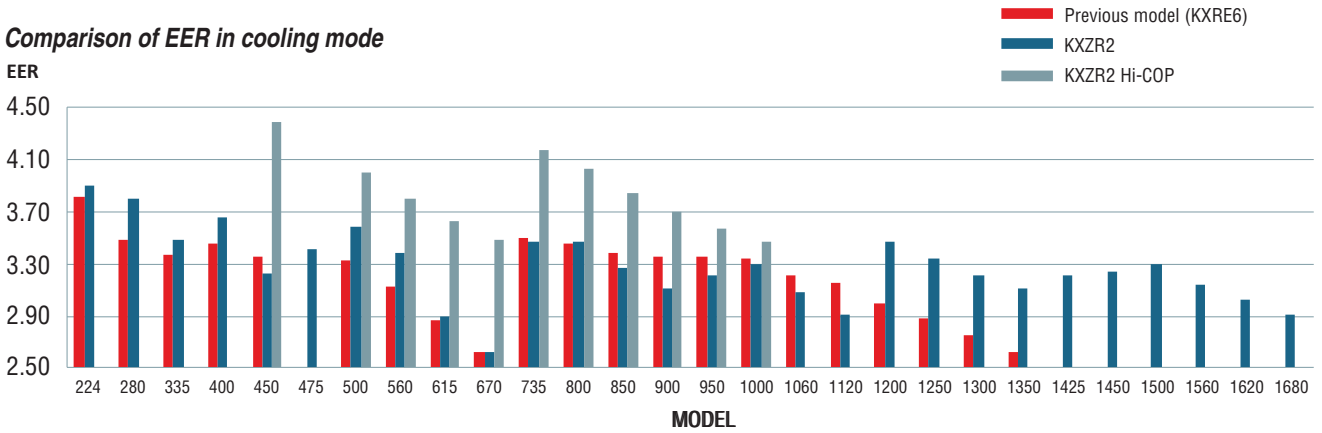
Energy efficiency in heat recovery mode



Technology

High Efficiency

The graphs below highlight the improved efficiencies of the KXZR and Hi-COP models compared to the previous models.



Continuous Heating Capacity Control (CHCC) -

Our CHCC defrosting control achieves more capacity than that of previous model in low ambient temperature condition. Target pressure is controlled automatically before capacity drops, which makes longer period of heating operation and shorter defrosting time.

Improved cooling capacity in low ambient temperature

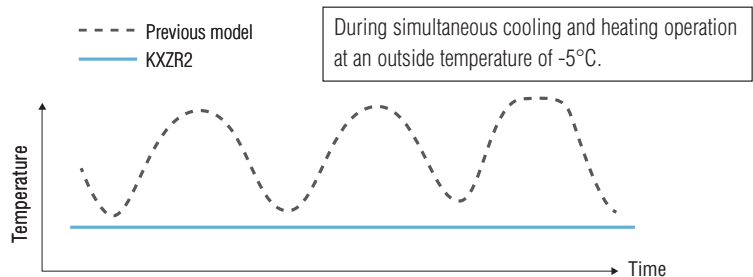
Small split heat exchanger and pressure control make it possible for the outdoor unit to work in cooling operation even at low ambient temperature condition, which achieves more capacity in such low ambient condition as -5°C , compared to previous model.

In previous model, when high demand for heating and low cooling demand are required at the same time in low ambient temperature condition, pressure control is adjusted to keep more heating capacity than the cooling capacity.

Adopted heat exchanger and pressure control in KXZR series, has improved its capacity for both heating and cooling capacity at the same time. (*)

(*) Refrigerant system will prioritize required heating mode more than low cooling demand, in case most of the indoor units are operated in heating mode.

Blown air temperature in the cooled room



Design Flexibility

Indoor unit capacity connection

KXZR	HP	8	10	12	14	16	17	18	20	22	24	26	28	30	32	34	36	38	40	42	44	46	48	50	52	54	56	58	60
	Numbers	29	37	44	53	60	50	53	59	65	71	78	80																
	IU Capacity connection	50-200%						50-160%						50-130%															

KXZR	HP	16	18	20	22	24	26	28	30	32	34	36	
	Numbers	60	53	59	65	71	78	80					
	IU Capacity connection	50-200%	50-160%									50-130%	

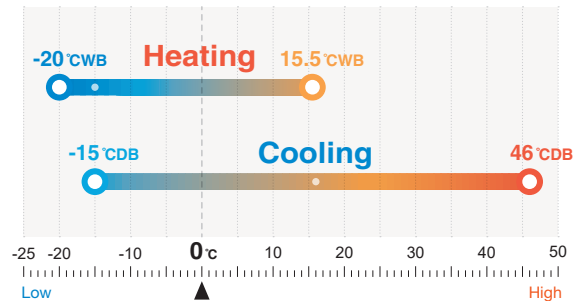
Connectable indoor units

Up to 80 indoor units can be connected to the largest capacity outdoor unit, with a range of 15 types of exposed or concealed indoor unit, in several capacities, a choice of 82 indoor units is available.

- In case that capacity connection is more than 130%, additional charge of refrigerant is required on site.
- In case of 8-34HP of the systems, if one or more indoor units of FDK, FDL, FDFU and/or FDFW series are connected to the system, the total connecting capacity of indoor units should not exceed 130%.

Wide Range of Operation

KXZR series permits an extensible system design with a heating range operation under a low temperature condition down to -20°C and a cooling range operation up to 46°C



Long Pipe Length

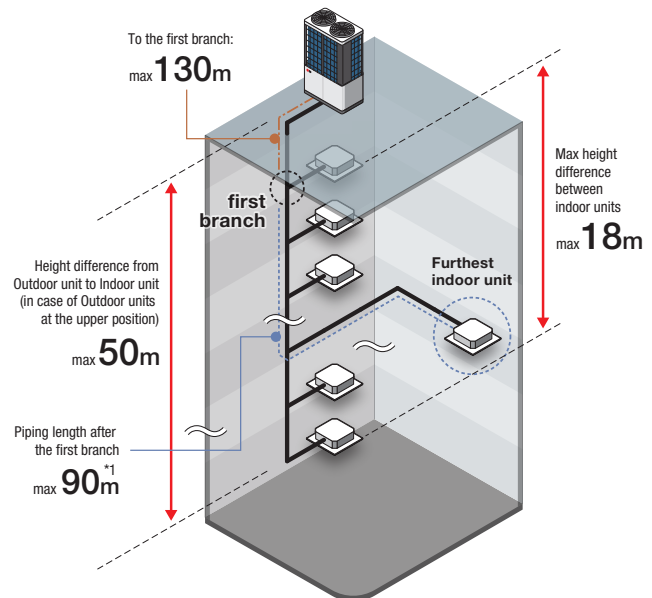
Total length :
1,000m

Furthest indoor unit:
Actual length: **160m**
Equivalent length: **185m**

The maximum height difference between indoor units is a maximum of 18m, and the maximum height difference between the outdoor unit and indoor unit is 50m.

For with few limitations, contributes to system design flexibility.

*1 The difference between the longest and the shortest indoor unit piping from the first branch must be within 40m.



Improvement of the PFD controller noise level

Sound insulation box design specification, reducing the level of noises from the PFD controller generated due to the flow of refrigerant or other causes.

Sound insulation design



8-12HP (22.4kW – 33.5kW)



Technical focus

- The KXZ2 series has a layered design and a refined new form
- High efficiency with EER up to 3.89
- VTCC : advanced variable temperature and capacity control
- Continuous heating capacity control
- Total piping length up to 1000m and a maximum pipe run of 160m

- for simultaneous *heating* and *cooling*



Uniform footprint of models allows continuous side-by-side installation



FDC224-335

■ SPECIFICATIONS

Item		Model	FDC224KXZRE2	FDC280KXZRE2	FDC335KXZRE2
Nominal horse power			8HP	10HP	12HP
Power source			3 Phase 380-415V, 50Hz		
Nominal capacity	Cooling	kW	22.4	28.0	33.5
	Heating	kW	22.4	28.0	33.5
Max heating capacity		kW	25.0	31.5	37.5
Power consumption ^{*1}	Cooling	kW	5.76	7.39	9.65
	Heating	kW	5.27	6.86	8.44
EER ^{*1}			3.89	3.79	3.47
COP ^{*1}			4.25	4.08	3.97
SEER ^{*1}			6.21	6.36	7.15
SCOP ^{*1}			4.06	4.02	4.43
SEER ^{*2}			6.21	6.36	7.15
SCOP ^{*2}			4.05	4.01	4.42
Exterior dimensions (HxWxD)		mm	1697x1350x720		
Net weight		kg	305		
Sound power level ^{*1}	Cooling	dB(A)	75	75	82
	Heating	dB(A)	77	76	82
Sound pressure level	Cooling	dB(A)	56	55	63
	Heating	dB(A)	58	57	63
Starting current		A	5		
Max current		A	16.0	20.0	21.2
Refrigerant	Type / GWP		R410A / 2088		
	Charge	kg	11.5		
	TCO ₂ Eq		24.012		
Refrigerant piping size	Liquid	mm (in)	ø9.52(3/8")		ø12.7(1/2")
	Suction gas	mm (in)	ø19.05(3/4")	ø22.22(7/8")	ø25.4(1") [ø22.22(7/8")]
	Discharge gas	mm (in)	ø15.88(5/8")	ø19.05(3/4")	
Total piping length		m	1000		
Outdoor operating temperature range	Cooling	°CDB	-15-46		
	Heating	°CWB	-20-15.5		
Capacity connection		%	50-200		
Number of connectable indoor units			29	37	44

1. The data are measured under the following conditions (ISO-T1, H1). Cooling: Indoor temp. of 27°CDB, 19°CWB, and outdoor temp. of 35°CDB. Heating: Indoor temp. of 20°CDB, and outdoor temp. of 7°CDB, 6°CWB.

2. SEER/SCOP are based on EN14825:2016 and Commission regulation (EU) No.2016/2281. Temperature conditions for calculating SCOP are based on "Average climate".

3. Sound pressure level indicates the value in an anechoic chamber. During operation these values are somewhat higher due to ambient conditions.

4. 'tonne(s) of CO₂ equivalent' means a quantity of greenhouse gases- expressed as the product of the weight of the greenhouse gases in metric tonnes and of their global warming potential.

5. Refrigerant contained in the products is a fluorinated greenhouse gas listed in Regulation (EU) No 517/2014.

6. Refrigerant piping size applicable to European installations are shown in parentheses.

*1 Lot 6/21 performances.

*2 Seasonal efficiency of Eurovent certification condition SEER/SCOP certified value according to the max air flow limit of 275m³/h/kW stated in the Eurovent certification rules.

14-24HP (40.0kW – 67.0kW)



Technical focus

- The KXZ2 series has a layered design and a refined new form
- High efficiency with EER up to 3.46
- VTCC : advanced variable temperature and capacity control
- Continuous heating capacity control
- Total piping length up to 1000m and a maximum pipe run of 160m

- for simultaneous *heating* and *cooling*



Uniform footprint of all models allows continuous side-by-side installation



FDC400-670

SPECIFICATIONS

Item	Model	FDC400KXZRE2	FDC450KXZRE2	FDC475KXZRE2	FDC500KXZRE2	FDC560KXZRE2	FDC615KXZRE2	FDC670KXZRE2
Nominal horse power		14HP	16HP	17HP	18HP	20HP	22HP	24HP
Power source		3 Phase 380-415V, 50Hz						
Nominal capacity	Cooling	40.0	45.0	47.5	50.0	56.0	61.5	67.0
	Heating	40.0	45.0	47.5	50.0	56.0	61.5	63.0
Max heating capacity	kW	45.0	50.0	53.0	56.0	63.0	63.0	63.0
Power consumption ^{*1}	Cooling	11.56	14.47	14.84	15.20	19.31	21.35	25.57
	Heating	9.76	11.39	11.67	12.69	14.93	16.14	17.45
EER ^{*1}		3.46	3.11	3.20	3.29	2.90	2.88	2.62
COP ^{*1}		4.10	3.95	4.07	3.94	3.75	3.81	3.61
SEER ^{*1}		6.78	6.29	6.60	7.01	6.26	6.05	5.88
SCOP ^{*1}		4.39	4.33	4.27	4.39	4.29	4.34	4.50
SEER ^{*2}		6.78	6.29	6.60	7.01	6.26	6.05	5.88
SCOP ^{*2}		4.38	4.32	4.26	4.39	4.29	4.34	4.50
Exterior dimensions (HxWxD)	mm	2052x1350x720						
Net weight	kg	372			420			
Sound power level ^{*1}	Cooling	81			84			
	Heating	82			82	83		
Sound pressure level	Cooling	61			64		65	
	Heating	62			63		64	
Starting current	A	5			8			
Max current	A	30.0	32.0	40.4	41.0	41.6	42.0	42.4
Refrigerant	Type / GWP	R410A / 2088						
	Charge	11.5						
	TCO ₂ Eq	24.012						
Refrigerant piping size	Liquid	ø12.7(1/2")						
	Suction gas	ø25.4(1") [ø28.58(1-1/8")]			ø28.58(1-1/8")			
	Discharge gas	ø22.22(7/8")					ø25.4(1") [ø22.22(7/8")]	
Total piping length	m	50-200			50-160			
Outdoor operating temperature range	Cooling	°CDB -15-46						
	Heating	°CWB -20-15.5						
Capacity connection	%	50-200			50-160			
Number of connectable indoor units		53	60	50	53	59	65	71

1. The data are measured under the following conditions (ISO-T1, H1). Cooling: Indoor temp. of 27°CDB, 19°CWB, and outdoor temp. of 35°CDB. Heating: Indoor temp. of 20°CDB, and outdoor temp. of 7°CDB, 6°CWB.
 2. SEER/SCOP are based on EN14825:2016 and Commission regulation (EU) No.2016/2281. Temperature conditions for calculating SCOP are based on "Average climate".
 3. Sound pressure level indicates the value in an anechoic chamber. During operation these values are somewhat higher due to ambient conditions.
 4. 'tonne(s) of CO₂ equivalent' means a quantity of greenhouse gases- expressed as the product of the weight of the greenhouse gases in metric tonnes and of their global warming potential.
 5. Refrigerant contained in the products is a fluorinated greenhouse gas listed in Regulation (EU) No 517/2014.
 6. Refrigerant piping size applicable to European installations are shown in parentheses.

*1 Lot 6/21 performances.

*2 Seasonal efficiency of Eurovent certification condition SEER/SCOP certified value according to the max air flow limit of 275m³/h/kW stated in the Eurovent certification rules.

26-40HP (73.5kW – 112.0kW)



Technical focus

- for simultaneous heating and cooling

- The KXZ2 series has a layered design and a refined new form
- High efficiency with EER up to 3.47
- VTCC : advanced variable temperature and capacity control
- Continuous heating capacity control
- Total piping length up to 1000m and a maximum pipe run of 160m



FDC735



FDC800-1120

■ SPECIFICATIONS

Item	Model	FDC735KXZRE2	FDC800KXZRE2	FDC850KXZRE2	FDC900KXZRE2	FDC950KXZRE2	FDC1000KXZRE2	FDC1060KXZRE2	FDC1120KXZRE2
Combination (FDC)		335KXZRE2	400KXZRE2	400KXZRE2	450KXZRE2	475KXZRE2	500KXZRE2	500KXZRE2	560KXZRE2
		400KXZRE2	400KXZRE2	450KXZRE2	450KXZRE2	475KXZRE2	500KXZRE2	560KXZRE2	560KXZRE2
Nominal horse power		26HP	28HP	30HP	32HP	34HP	36HP	38HP	40HP
Power source		3 Phase 380-415V, 50Hz							
Nominal capacity	Cooling	73.5	80.0	85.0	90.0	95.0	100.0	106.0	112.0
	Heating	73.5	80.0	85.0	90.0	95.0	100.0	106.0	112.0
Power consumption	Cooling	21.21	23.12	26.03	28.94	29.68	30.40	34.51	38.62
	Heating	18.20	19.52	21.15	22.78	23.34	25.38	27.62	29.86
EER		3.47	3.46	3.27	3.11	3.20	3.29	3.07	2.90
COP		4.04	4.10	4.02	3.95	4.07	3.94	3.84	3.75
Net weight	kg	677	744			840			
Starting current	A	10				16			
Max current	A	51.2	60.0	62.0	64.0	80.8	82.0	82.6	83.2
Refrigerant	Type / GWP	R410A / 2088							
	Charge	11.5+11.5							
Refrigerant piping size	Liquid	ø15.88(5/8")						ø19.05(3/4")	
	Suction gas	ø31.75(1-1/4") [ø34.92(1-3/8")]						ø38.1(1-1/2") [ø34.92(1-3/8")]	
	Discharge gas	ø25.4(1") [ø28.58(1-1/8")]	ø28.58(1-1/8")				ø31.75(1-1/4") [ø28.58(1-1/8")]		
	Oil equalization	ø9.52 (3/8")							
Total piping length	m	1000							
Outdoor operating temperature range	Cooling	-15-46							
	Heating	-20-15.5							
Capacity connection	%	50-160				50-130			
Number of connectable indoor units		78					80		

1. The data are measured under the following conditions (ISO-T1, H1). Cooling: Indoor temp. of 27°CDB, 19°CWB, and outdoor temp. of 35°CDB. Heating: Indoor temp. of 20°CDB, and outdoor temp. of 7°CDB, 6°CWB.
2. Sound level indicates the value in an anechoic chamber. During operation these values are somewhat higher due to ambient conditions.
3. Refrigerant piping size applicable to European installations are shown in parentheses.

42-50HP (120.0kW – 142.5kW)



Technical focus

- for simultaneous *heating* and *cooling*

- The KXZ2 series has a layered design and a refined new form
- High efficiency with EER up to 3.46
- VTCC : advanced variable temperature and capacity control
- Continuous heating capacity control
- Total piping length up to 1000m and a maximum pipe run of 160m



FDC1200-1425

■ SPECIFICATIONS

Item	Model	FDC1200KXZRE2	FDC1250KXZRE2	FDC1300KXZRE2	FDC1350KXZRE2	FDC1425KXZRE2	
Combination (FDC)		400KXZRE2	400KXZRE2	400KXZRE2	450KXZRE2	475KXZRE2	
		400KXZRE2	400KXZRE2	450KXZRE2	450KXZRE2	475KXZRE2	
		400KXZRE2	450KXZRE2	450KXZRE2	450KXZRE2	475KXZRE2	
Nominal horse power		42HP	44HP	46HP	48HP	50HP	
Power source		3 Phase 380-415V, 50Hz					
Nominal capacity	Cooling	kW	120.0	125.0	130.0	135.0	142.5
	Heating		120.0	125.0	130.0	135.0	142.5
Power consumption	Cooling	kW	34.68	37.59	40.50	43.41	44.52
	Heating		29.28	30.91	32.54	34.17	35.01
EER		3.46	3.33	3.21	3.11	3.20	
COP		4.10	4.04	4.00	3.95	4.07	
Net weight	kg	1116				1260	
Starting current	A	15				24	
Max current	A	90.0	92.0	94.0	96.0	121.2	
Refrigerant	Type / GWP	R410A / 2088					
	Charge	kg					
Refrigerant piping size	Liquid	mm (in)					
	Suction gas	ø38.1(1-1/2") [ø34.92(1-3/8")]					
	Discharge gas	ø31.75(1-1/4") [ø28.58(1-1/8")]					
	Oil equalization	ø9.52 (3/8")					
	Total piping length	m	1000				
Outdoor operating temperature range	Cooling	°CDB					
	Heating	°CWB					
Capacity connection	%	50-130					
Number of connectable indoor units		80					

1. The data are measured under the following conditions (ISO-T1, H1). Cooling: Indoor temp. of 27°CDB, 19°CWB, and outdoor temp. of 35°CDB. Heating: Indoor temp. of 20°CDB, and outdoor temp. of 7°CDB, 6°CWB.
 2. Sound level indicates the value in an anechoic chamber. During operation these values are somewhat higher due to ambient conditions.
 3. Refrigerant piping size applicable to European installations are shown in parentheses.

52-60HP (145.0kW – 168.0kW)



Technical focus

- for simultaneous heating and cooling

- The KXZ2 series has a layered design and a refined new form
- High efficiency with EER up to 3.29
- VTCC : advanced variable temperature and capacity control
- Continuous heating capacity control
- Total piping length up to 1000m and a maximum pipe run of 160m



FDC1450-1680

■ SPECIFICATIONS

Item	Model	FDC1450KXZRE2	FDC1500KXZRE2	FDC1560KXZRE2	FDC1620KXZRE2	FDC1680KXZRE2
Combination (FDC)		475KXZRE2	500KXZRE2	500KXZRE2	500KXZRE2	560KXZRE2
		475KXZRE2	500KXZRE2	500KXZRE2	560KXZRE2	560KXZRE2
		500KXZRE2	500KXZRE2	560KXZRE2	560KXZRE2	560KXZRE2
Nominal horse power		52HP	54HP	56HP	58HP	60HP
Power source		3 Phase 380-415V, 50Hz				
Nominal capacity	Cooling	145.0	150.0	156.0	162.0	168.0
	Heating	145.0	150.0	156.0	162.0	168.0
Power consumption	Cooling	44.88	45.60	49.71	53.82	57.93
	Heating	36.03	38.07	40.31	42.55	44.79
EER		3.23	3.29	3.14	3.01	2.90
COP		4.02	3.94	3.87	3.81	3.75
Net weight	kg	1260				
Starting current	A	24				
Max current	A	121.8	123.0	123.6	124.2	124.8
Refrigerant	Type / GWP	R410A / 2088				
	Charge	11.5x3				
Refrigerant piping size	Liquid	ø19.05(3/4")				
	Suction gas	ø38.1(1-1/2") [ø34.92(1-3/8")]				
	Discharge gas	ø31.75(1-1/4") [ø28.58(1-1/8")]				
	Oil equalization	ø9.52 (3/8")				
Total piping length	m	1000				
Outdoor operating temperature range	Cooling	°CDB -15-46				
	Heating	°CWB -20-15.5				
Capacity connection	%	50-130				
Number of connectable indoor units		80				

1. The data are measured under the following conditions (ISO-T1, H1). Cooling: Indoor temp. of 27°CDB, 19°CWB, and outdoor temp. of 35°CDB. Heating: Indoor temp. of 20°CDB, and outdoor temp. of 7°CDB, 6°CWB.
 2. Sound level indicates the value in an anechoic chamber. During operation these values are somewhat higher due to ambient conditions.
 3. Refrigerant piping size applicable to European installations are shown in parentheses.

16-24HP (45.0kW – 67.0kW)



Technical focus

- for simultaneous heating and cooling

- The KXZ2 series has a layered design and a refined new form
- High efficiency with EER up to 3.91
- VTCC : advanced variable temperature and capacity control
- Continuous heating capacity control
- Total piping length up to 1000m and a maximum pipe run of 160m



FDC450-670

SPECIFICATIONS

Item	Model	FDC450KXZRXE2	FDC500KXZRXE2	FDC560KXZRXE2	FDC615KXZRXE2	FDC670KXZRXE2	
Combination (FDC)		224KXZRE2	224KXZRE2	280KXZRE2	280KXZRE2	335KXZRE2	
		224KXZRE2	280KXZRE2	280KXZRE2	335KXZRE2	335KXZRE2	
Nominal horse power		16HP	18HP	20HP	22HP	24HP	
Power source		3 Phase 380-415V, 50Hz					
Nominal capacity	Cooling	kW	45.0	50.0	56.0	61.5	67.0
	Heating		45.0	50.0	56.0	61.5	67.0
Power consumption	Cooling	kW	11.52	13.15	14.78	17.04	19.30
	Heating		10.54	12.13	13.72	15.30	16.88
EER		3.91	3.80	3.79	3.61	3.47	
COP		4.27	4.12	4.08	4.02	3.97	
Net weight	kg	610					
Starting current	A	10					
Max current	A	32.0	36.0	40.0	41.2	42.4	
Refrigerant	Type / GWP	R410A / 2088					
	Charge	kg					
Refrigerant piping size	Liquid	11.5+11.5					
	Suction gas	mm					
	Discharge gas	(in)					
	Oil equalization	mm					
Total piping length	m	1000					
Outdoor operating temperature range	Cooling	°CDB					
	Heating	°CWB					
Capacity connection	%	80-200		80-160			
Number of connectable indoor units		60	53	59	65	71	

1. The data are measured under the following conditions (ISO-T1, H1). Cooling: Indoor temp. of 27°CDB, 19°CWB, and outdoor temp. of 35°CDB. Heating: Indoor temp. of 20°CDB, and outdoor temp. of 7°CDB, 6°CWB.
 2. Sound level indicates the value in an anechoic chamber. During operation these values are somewhat higher due to ambient conditions.
 3. Refrigerant piping size applicable to European installations are shown in parentheses.

26-36HP (73.5kW – 100.0kW)



Technical focus

- for simultaneous heating and cooling

- The KXZ2 series has a layered design and a refined new form
- High efficiency with EER up to 3.89
- VTCC : advanced variable temperature and capacity control
- Continuous heating capacity control
- Total piping length up to 1000m and a maximum pipe run of 160m



FDC735-1000

SPECIFICATIONS

Item	Model	FDC735KXZRXE2	FDC800KXZRXE2	FDC850KXZRXE2	FDC900KXZRXE2	FDC950KXZRXE2	FDC1000KXZRXE2	
Combination (FDC)		224KXZRE2	224KXZRE2	280KXZRE2	280KXZRE2	280KXZRE2	335KXZRE2	
		224KXZRE2	280KXZRE2	280KXZRE2	280KXZRE2	335KXZRE2	335KXZRE2	
		280KXZRE2	280KXZRE2	280KXZRE2	335KXZRE2	335KXZRE2	335KXZRE2	
Nominal horse power		26HP	28HP	30HP	32HP	34HP	36HP	
Power source		3 Phase 380-415V, 50Hz						
Nominal capacity	Cooling	kW	73.5	80.0	85.0	90.0	95.0	100.0
	Heating		73.5	80.0	85.0	90.0	95.0	100.0
Power consumption	Cooling	kW	18.91	20.54	22.17	24.43	26.69	28.95
	Heating		17.40	18.99	20.58	22.16	23.74	25.32
EER			3.89	3.89	3.83	3.68	3.56	3.45
COP			4.22	4.21	4.13	4.06	4.00	3.95
Net weight	kg	915						
Starting current	A	15						
Max current	A	52.0	56.0	60.0	61.2	62.4	63.6	
Refrigerant	Type / GWP	R410A / 2088						
	Charge	kg	11.5x3					
Refrigerant piping size	Liquid	ø15.88(5/8")						
	Suction gas	ø31.75(1-1/4") [ø34.92(1-3/8")]						
	Discharge gas	ø25.4(1") [ø28.58(1-1/8")]	ø28.58(1-1/8")					ø38.1(1-1/2") [ø34.92(1-3/8")]
	Oil equalization	ø9.52 (3/8")						
Total piping length	m	1000						
Outdoor operating temperature range	Cooling	°CDB -15-46						
	Heating	°CWB -20-15.5						
Capacity connection	%	80-160						
Number of connectable indoor units		78	80				80-130	

1. The data are measured under the following conditions (ISO-T1, H1). Cooling: Indoor temp. of 27°CDB, 19°CWB, and outdoor temp. of 35°CDB. Heating: Indoor temp. of 20°CDB, and outdoor temp. of 7°CDB, 6°CWB.
 2. Sound level indicates the value in an anechoic chamber. During operation these values are somewhat higher due to ambient conditions.
 3. Refrigerant piping size applicable to European installations are shown in parentheses.

PFD refrigerant flow branch control

Branch control	Total downstream indoor unit capacity
PFD1124-E	less than 11.2kW
PFD1804-E	less than 18.0kW
PFD2804-E	28.0kW or less
PFD1124X4-E	less than 37.1kW(less than 11.2kWx4 branches)



Relay kit
(Relay kit comes attached to the branch control)



4-Way PFD box

Design flexibility

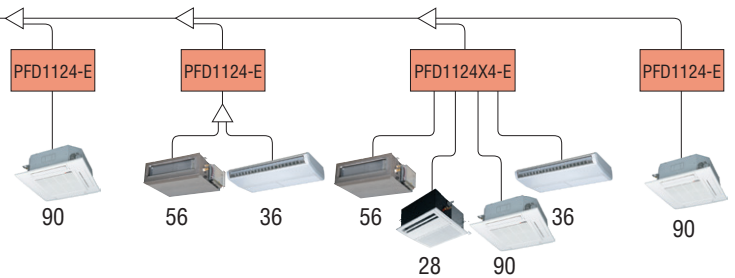
A total of 37.1 kW group of indoor units can be connected to a PFD box single branch. All connected units will operate in the same mode only (cooling or heating).

The recent 4-way PFD control PFD1124X4-E can connect to up to four indoor units with individual control – allowing for simultaneous cooling or heating.

- The remote control setting (as individual indoor unit on-off, temperature setting other than cooling/heating mode control) is possible with one remote control connected to each indoor unit, while at the same time, Center Control (SC-SL1N/SL2NA/SL4-AE3) can be used together with the individual remote control.
- It is necessary to set the central control to use this function. Please refer to the Installation Manual for details.
- In case of mode changeover from cooling to heating and from heating to cooling, by the use of only the indoor units and PFD box combination, the mode changeover noise is reduced. All this made possible without turning off the compressor and at the same time without the reduction of capacity. The risk of refrigerant leakage is reduced by changing piping connection at the PFD box to brazing method.
- The use of optional PFD box extension cable that has a connector at ends, makes it possible to further separate the indoor unit and PFD box. This will enable the PFD box to be located away from the indoor unit and help reduce the influence of sound caused by PFD box and refrigerant flow.

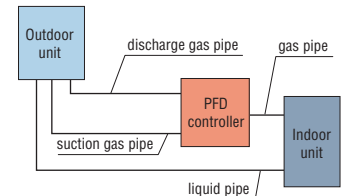
Branch control	Total downstream capacity	Connectable indoor units
PFD1124-E	less than 112	1-5
PFD1804-E	112 or more but less than 180	1-8
PFD2804-E	180 or more but less than 280	1-10
PFD1124X4-E	less than 371(less than 112 per branch)	Up to 16

*Refer to Data Book for details



Easy installation

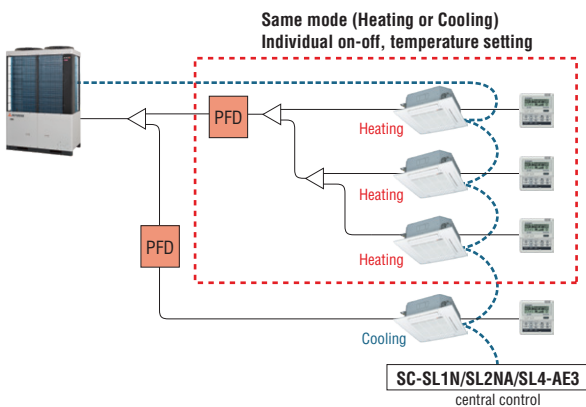
PFD control box design allows to directly connect the liquid pipe from indoor unit to outdoor unit by bypassing the PFD box. As a result, the piping connections per indoor unit are reduced by a third, thus reducing installation time and cost.



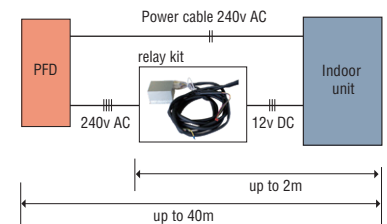
extension cable 15m



PFD4-15WR-E (option)



The PFD is connected to the indoor unit by 3 core signal wire via a relay kit (supplied) to be located within 2m of each other. The indoor unit however can be up to 40m away. Power to the PFD can be connected from the indoor unit or other supply.



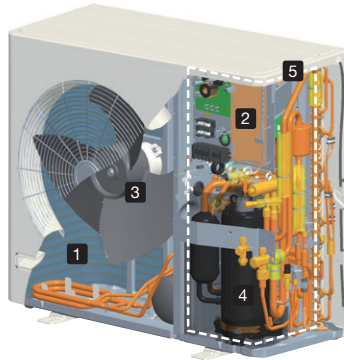
Micro KXZ series

Micro KXZ

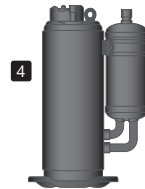
Space saving for small offices, shops applications



Micro 4-6HP



- 1 Heat Exchanger
- 2 Inverter Control
Vector Inverter Control system
- 3 DC Fan Motor
Compact & High efficiency
- 4 Twin Rotary Compressor
- 5 System Control



1 Compact high efficient Heat Exchanger

- Optimizing relationship of the air flow velocity & fin pattern
- Improvement of air distribution
Maximizing efficiency of heat exchanger



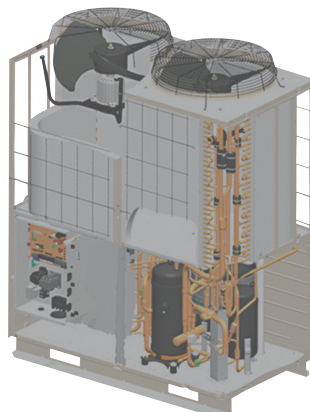
5 Optimum Refrigerant System Control

- Optimum heat exchanger refrigerant distribution
- Advanced refrigerant liquid return protection control system
- High speed system control by Superlink system

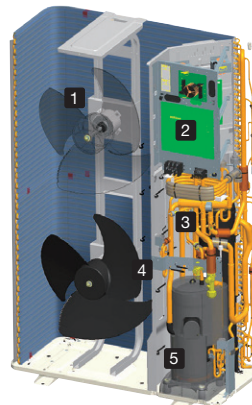
Micro 8-12HP



Previous



Micro KXZ



- 1 DC Fan motor
Compact & High efficiency
- 2 Inverter Control
Compact & Vector Inverter Control system
- 3 Downsized accumulator
- 4 Receiver in fan section
- 5 Scroll Compressor

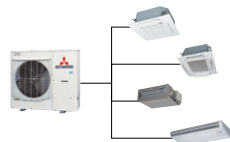
Design Flexibility

Connectable indoor units & Indoor unit capacity connection

Micro KXZ	HP	4	5	6	8	10	12
	Numbers	8	10*	10*	22	24	24
	IU Capacity connection	80 – 150%			50 – 150%		

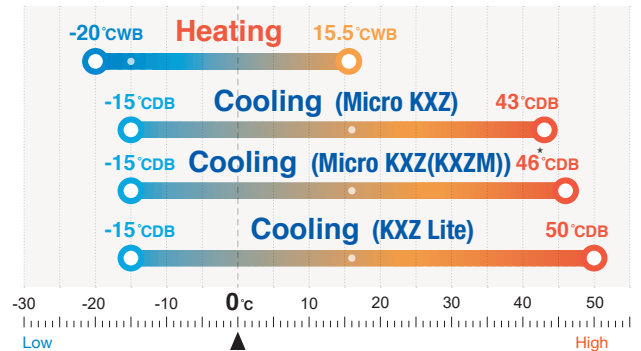
*When connecting 9 units or more, set the total capacity as follows :
5HP : 110% or less, 6HP : 100% or less. In the case of R410A.

KXZ Lite	HP	8	10
	Numbers	8	8
	IU Capacity connection	50 – 120%	



150% capacity connection

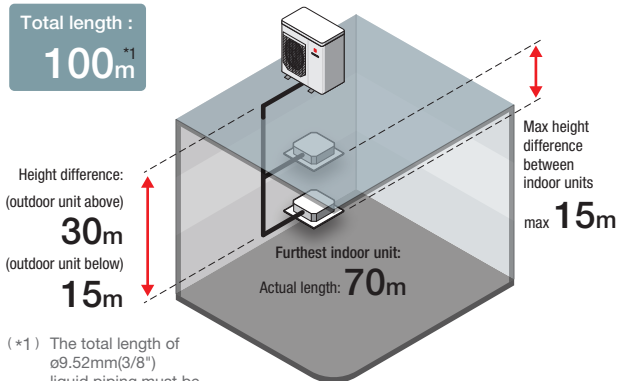
Wide range operation



*With limitation to height difference between indoor and outdoor units and installation space.

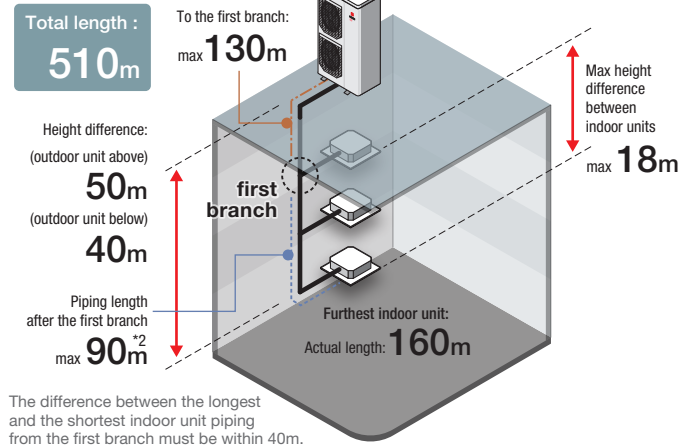
Long Pipe length

Micro 4–6HP



(*1) The total length of ø9.52mm(3/8") liquid piping must be 50m or less

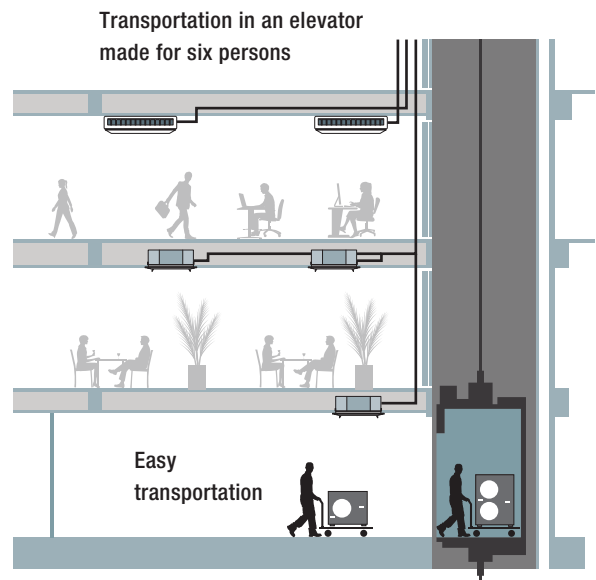
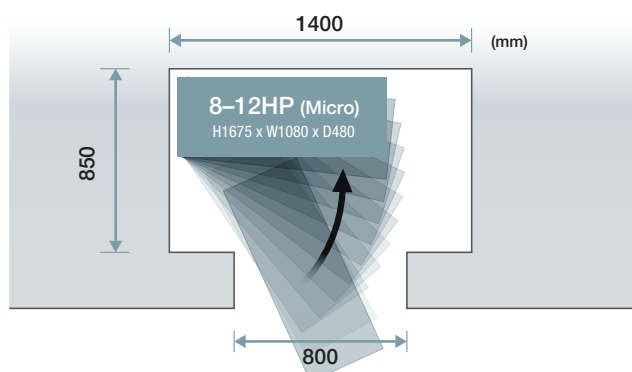
Micro 8–12HP



(*2) The difference between the longest and the shortest indoor unit piping from the first branch must be within 40m.

Easy Transportation & Installation

Due to realization of significant reduction in size and footprint which is one of the smallest in the industry, transportation in an elevator made for six persons (Width:1400mm, Depth:850, Open area:800mm) is possible, eliminating cost of a crane and reducing labor.



4-6 HP (12.1kW – 15.5kW)



Technical focus

- Compact & flexible design
- High efficiency with EER up to 4.08
- Easy maintenance & Quick installation
- Available in 1-phase (KXZEN1-W) and 3-Phase (KXZES1-W)
- Total piping length up to 100m and a maximum pipe run of 70m



FDC121-155

SPECIFICATIONS

Item	Model	FDC121KXZEN1-W	FDC140KXZEN1-W	FDC155KXZEN1-W	FDC121KXZES1-W	FDC140KXZES1-W	FDC155KXZES1-W
Nominal horse power		4HP	5HP	6HP	4HP	5HP	6HP
Power source		1 Phase 220-240V, 50Hz			3 Phase 380-415V, 50Hz		
Nominal capacity	Cooling	12.1	14.0	15.5	12.1	14.0	15.5
	Heating	12.1	14.0	15.5	12.1	14.0	15.5
Max heating capacity	kW	12.5	16.0	16.3	12.5	16.0	16.3
Power consumption ^{*1}	Cooling	2.97	4.00	5.20	2.97	4.00	5.20
	Heating	2.88	3.52	4.06	2.88	3.52	4.06
EER ^{*1}		4.08	3.50	2.98	4.08	3.50	2.98
COP ^{*1}		4.20	3.98	3.82	4.20	3.98	3.82
SEER ^{*1}		9.67	8.82	8.17	9.67	8.82	8.17
SCOP ^{*1}		4.67	4.62	4.58	4.67	4.62	4.58
SEER ^{*2}		8.39	7.98	7.57	8.39	7.98	7.57
SCOP ^{*2}		4.40	4.43	4.41	4.40	4.43	4.41
Exterior dimensions (HxWxD)	mm	845x970x370					
Net weight	kg	85			87		
Sound power level ^{*1}	Cooling	68	69	70	68	69	70
	Heating	71	73	73	71	73	73
Sound pressure level	Cooling	54	54	54	54	54	54
	Heating	56	58	58	56	58	58
Starting current	A	5					
Max current	A	23.0			13.5		
Refrigerant	Type / GWP	R32 / 675					
	Charge	4.2					
	TCO ₂ Eq	2.835					
Refrigerant piping size	Liquid	ø9.52(3/8")					
	Gas	ø15.88(5/8")					
Total piping length	m	100					
Outdoor operating temperature range	Cooling	-15-43					
	Heating	-20-15.5					
Capacity connection	%	80-150					
Number of connectable indoor units		8	10	10	8	10	10

1. The data are measured under the following conditions (ISO-T1, H1). Cooling: Indoor temp. of 27°CDB, 19°CWB, and outdoor temp. of 35°CDB. Heating: Indoor temp. of 20°CDB, and outdoor temp. of 7°CDB, 6°CWB.

2. SEER/SCOP are based on EN14825:2016 and Commission regulation (EU) No.2016/2281. Temperature conditions for calculating SCOP are based on "Average climate".

3. Sound pressure level indicates the value in an anechoic chamber. During operation these values are somewhat higher due to ambient conditions.

4. 'tonne(s) of CO₂ equivalent' means a quantity of greenhouse gases- expressed as the product of the weight of the greenhouse gases in metric tonnes and of their global warming potential.

5. Refrigerant contained in the products is a fluorinated greenhouse gas listed in Regulation (EU) No 517/2014.

6. Refrigerant piping size applicable to European installations are shown in parentheses.

*1 Lot 6/21 performances.

*2 Seasonal efficiency of Eurovent certification condition SEER/SCOP certified value according to the max air flow limit of 275m³/h/kW stated in the Eurovent certification rules.

4-6HP (12.1kW – 15.5kW)



Technical focus

- Compact & flexible design
- High efficiency with EER up to 3.82
- Easy maintenance & Quick installation
- Available in 1-phase (KXZEN1) and 3-Phase (KXZES1)
- Total piping length up to 100m and a maximum pipe run of 70m



FDC121-155

SPECIFICATIONS

Item	Model	FDC121KXZEN1	FDC140KXZEN1	FDC155KXZEN1	FDC121KXZES1	FDC140KXZES1	FDC155KXZES1
Nominal horse power		4HP	5HP	6HP	4HP	5HP	6HP
Power source		1 Phase 220-240V, 50Hz			3 Phase 380-415V, 50Hz		
Nominal capacity	Cooling	12.1	14.0	15.5	12.1	14.0	15.5
	Heating	12.1	14.0	15.5	12.1	14.0	15.5
Max heating capacity	kW	12.5	16.0	16.3	12.5	16.0	16.3
Power consumption ^{*1}	Cooling	3.16	3.96	5.20	3.16	3.96	5.20
	Heating	3.09	3.66	4.28	3.09	3.66	4.28
EER ^{*1}		3.82	3.54	2.98	3.82	3.54	2.98
COP ^{*1}		3.91	3.83	3.62	3.91	3.83	3.62
SEER ^{*1}		8.15	7.73	7.21	8.15	7.73	7.21
SCOP ^{*1}		4.63	4.59	4.55	4.63	4.59	4.55
SEER ^{*2}		7.37	7.06	6.68	7.37	7.06	6.68
SCOP ^{*2}		4.52	4.52	4.41	4.52	4.52	4.41
Exterior dimensions (HxWxD)	mm	845x970x370					
Net weight	kg	85			87		
Sound power level ^{*1}	Cooling	70	71	71	70	71	71
	Heating	72	72	74	72	72	74
Sound pressure level	Cooling	53	53	54	53	53	54
	Heating	56	57	57	56	57	57
Starting current	A	5					
Max current	A	28.0			13.5		
Refrigerant	Type / GWP	R410A / 2088					
	Charge	5.0					
	TCO ₂ Eq	10.44					
Refrigerant piping size	Liquid	ø9.52(3/8")					
	Gas	ø15.88(5/8")					
Total piping length	m	100					
Outdoor operating temperature range	Cooling	-15-43					
	Heating	-20-15.5					
Capacity connection	%	80-150					
Number of connectable indoor units		8	10 ^{*3}	10 ^{*3}	8	10 ^{*3}	10 ^{*3}

1. The data are measured under the following conditions (ISO-T1, H1). Cooling: Indoor temp. of 27°CDB, 19°CWB, and outdoor temp. of 35°CDB. Heating: Indoor temp. of 20°CDB, and outdoor temp. of 7°CDB, 6°CWB.

2. SEER/SCOP are based on EN14825:2016 and Commission regulation (EU) No.2016/2281. Temperature conditions for calculating SCOP are based on "Average climate".

3. Sound pressure level indicates the value in an anechoic chamber. During operation these values are somewhat higher due to ambient conditions.

4. 'tonne(s) of CO₂ equivalent' means a quantity of greenhouse gases- expressed as the product of the weight of the greenhouse gases in metric tonnes and of their global warming potential.

5. Refrigerant contained in the products is a fluorinated greenhouse gas listed in Regulation (EU) No 517/2014.

6. Refrigerant piping size applicable to European installations are shown in parentheses.

*1 Lot 6/21 performances.

*2 Seasonal efficiency of Eurovent certification condition SEER/SCOP certified value according to the max air flow limit of 275m³/h/kW stated in the Eurovent certification rules.

*3 When connecting 9 units or more, set the total capacity as follows : 5HP : 110% or less, 6HP : 100% or less. In the case of R410A.

8-12HP (22.4kW – 33.5kW)



Technical focus

- Compact & flexible design
- High efficiency with EER up to 4.00
- Easy transportation & Quick installation
- Connect up to 24 indoor units / up to 150% capacity
- Total piping length up to 510m and a maximum pipe run of 160m



FDC224-335

■ SPECIFICATIONS

Item	Model	FDC224KXZME1	FDC280KXZME1	FDC335KXZME1A
Nominal horse power		8HP	10HP	12HP
Power source		3 Phase 380-415V, 50Hz		
Nominal capacity	Cooling	22.4	28.0	33.5
	Heating	22.4	28.0	33.5
Max heating capacity	kW	25.0	31.5	37.5
Power consumption	Cooling	5.59	7.90	10.68
	Heating	4.97	6.53	8.44
EER		4.00	3.54	3.13
COP		4.50	4.28	3.96
SEER		6.55	6.03	5.84
SCOP		4.55	4.54	4.04
Exterior dimensions (HxWxD)	mm	1675x1080x480		
Net weight	kg	221		224
Sound power level	Cooling	73	75	75
	Heating	75	76	77
Sound pressure level	Cooling	58	60	60
	Heating	59	60	62
Starting current	A	5		
Max current	A	20.0		23.0
Refrigerant	Type / GWP	R410A / 2088		
	Charge	11.5		
	TCO ₂ Eq	24.012		
Refrigerant piping size	Liquid	ø9.52(3/8")		ø12.7(1/2")
	Gas	ø19.05(3/4")	ø22.22(7/8")	ø25.4(1") [ø22.22(7/8")]
Total piping length	m	510		
Outdoor operating temperature range	Cooling ^{*1}	-15-46 °CDB		
	Heating	-20-15.5 °CWB		
Capacity connection	%	50-150		
Number of connectable indoor units		22	24	24

1. The data are measured under the following conditions (ISO-T1, H1). Cooling: Indoor temp. of 27°CDB, 19°CWB, and outdoor temp. of 35°CDB. Heating: Indoor temp. of 20°CDB, and outdoor temp. of 7°CDB, 6°CWB.
 2. SEER/SCOP are based on EN14825:2016 and Commission regulation (EU) No.2016/2281. Temperature conditions for calculating SCOP are based on "Average climate".
 3. Sound pressure level indicates the value in an anechoic chamber. During operation these values are somewhat higher due to ambient conditions.
 4. 'tonne(s) of CO₂ equivalent' means a quantity of greenhouse gases- expressed as the product of the weight of the greenhouse gases in metric tonnes and of their global warming potential.
 5. Refrigerant contained in the products is a fluorinated greenhouse gas listed in Regulation (EU) No 517/2014.
 6. Refrigerant piping size applicable to European installations are shown in parentheses.
^{*1} With limitation to height difference between indoor and outdoor units and installation space.

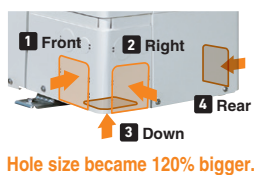
8, 10HP (22.4kW · 28.0kW)



Technical focus

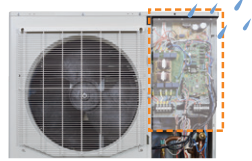
- Compact & flexible design
- High efficiency with EER up to 4.00
- KXZ Lite extends a cooling range operation up to 50°C.
- Connect up to 8 indoor units / up to 120% capacity
- Total piping length up to 150m and a maximum pipe run of 120m
- External static pressure is available up to 35 Pa
- Improved installation items

Improved freedom of piping layout



A transparent rain cover

Attached as a standard for easy maintenance.



Wire insertion holes for fall prevention



FDC224 · 280

Fixing screws to service panel

Decreased number of screws from 5 to 2, installation & service speed is improved.

SPECIFICATIONS

Item	Model	FDC224KXZPE1	FDC280KXZPE1
Nominal horse power		8HP	10HP
Power source		3 Phase 380-415V, 50Hz	
Nominal capacity	Cooling	22.4	28.0
	Heating	22.4	28.0
Power consumption	Cooling	5.6	7.87
	Heating	4.8	6.47
EER		4.00	3.56
COP		4.67	4.33
SEER		6.65	6.68
SCOP		4.34	4.50
Exterior dimensions (HxWxD)	mm	1505x970x370	
Net weight	kg	165	
Sound power level	Cooling	72	74
	Heating	73	76
Sound pressure level	Cooling	59	60
	Heating	60	63
Starting current	A	5	
Max current	A	21.0	22.0
Refrigerant	Type / GWP	R410A / 2088	
	Charge	8.9	
	TCO ₂ Eq	18.583	
Refrigerant piping size	Liquid	ø9.52(3/8")	
	Gas	ø19.05(3/4")	ø22.22(7/8")
Total piping length	m	150	
Outdoor operating temperature range	Cooling °CDB	-15-50	
	Heating °CWB	-20-15.5	
Capacity connection	%	50-120	
Number of connectable indoor units		8	

1. The data are measured under the following conditions (ISO-T1, H1). Cooling: Indoor temp. of 27°CDB, 19°CWB, and outdoor temp. of 35°CDB. Heating: Indoor temp. of 20°CDB, and outdoor temp. of 7°CDB, 6°CWB.
 2. SEER/SCOP are based on EN14825:2016 and Commission regulation (EU) No.2016/2281. Temperature conditions for calculating SCOP are based on "Average climate".
 3. Sound pressure level indicates the value in an anechoic chamber. During operation these values are somewhat higher due to ambient conditions.
 4. 'tonne(s) of CO₂ equivalent' means a quantity of greenhouse gases- expressed as the product of the weight of the greenhouse gases in metric tonnes and of their global warming potential.
 5. Refrigerant contained in the products is a fluorinated greenhouse gas listed in Regulation (EU) No 517/2014.
 6. Refrigerant piping size applicable to European installations are shown in parentheses.

8-36HP (22.4kW – 100.0kW)



Technical focus

- Ideal for high rise buildings, using **water as heat source**

1. High efficiency (EER/COP)

- Energy saving → Reduction of operation cost

2. Compact design

- Easy transportation and installation
- Carriable by elevator

3. BMS (Building Management System)

- Can use the same BMS as air cooled KX
- Available to large-scale and fine control

4. Serviceability & Maintenance

- Service and maintenance of main parts can be done from the front side only
- Useful service tools (Mente-PC, SL-Checker etc.)



FDC224-335



FDC450-670



FDC730-1000

SPECIFICATIONS

Item	Model	FDC224KXZWE1	FDC280KXZWE1	FDC335KXZWE1	FDC450KXZWE1	FDC500KXZWE1	FDC560KXZWE1
Combination (FDC)		-	-	-	224KXZWE1	224KXZWE1	280KXZWE1
		-	-	-	224KXZWE1	280KXZWE1	280KXZWE1
		-	-	-	-	-	-
Nominal horse power		8HP	10HP	12HP	16HP	18HP	20HP
Power source		3 Phase 380-415V, 50Hz					
Nominal capacity	Cooling	22.4	28.0	33.5	45.0	50.0	56.0
	Heating	25.0	31.5	37.5	50.0	56.0	63.0
Power consumption	Cooling	4.23	5.75	8.13	8.49	9.83	11.5
	Heating	4.24	5.10	6.30	8.47	9.27	10.2
EER		5.30	4.87	4.12	5.30	5.09	4.87
COP		5.90	6.18	5.95	5.90	6.04	6.18
Exterior dimensions (HxWxD)	mm	1100x780x550				-	
Net weight	kg	185				185x2	
Sound pressure level	Cooling	48	50	52	51	52	53
	Heating						
Refrigerant	Type / GWP	R410A / 2088					
	Charge	9.9				9.9+9.9	
	TCO ₂ Eq	20.671				-	
Refrigerant piping size	Liquid	ø9.52(3/8")			ø12.7(1/2")		
	Gas	ø19.05(3/4")	ø22.22(7/8")	ø25.4(1") [ø22.22(7/8")]		ø28.58(1-1/8")	
	Oil equalization	-	-	-		ø9.52(3/8")	
Water piping size	Water inlet	R1 1/4					
	Water outlet	R1 1/4					
	Drain outlet	Rp 1/2(internal thread)					
Total piping length	m	510					
Capacity connection	%	50-150					
Number of connectable indoor units		22	28	33	44	50	56

1. The data are measured at the following condition:

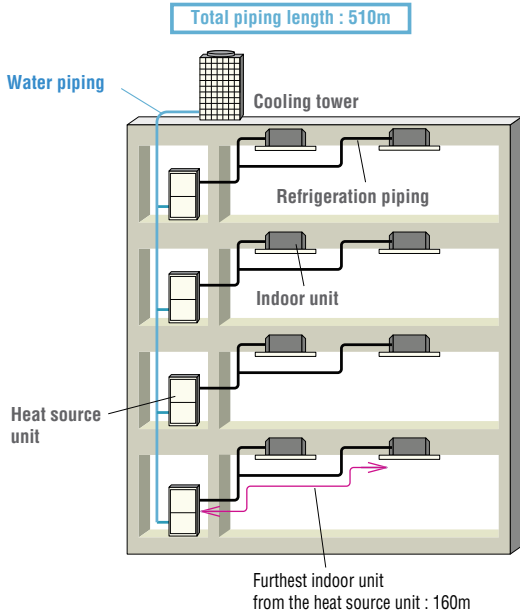
Cooling: Indoor temp. of 27 °CDB, 19 °CWB, and heat source unit inlet water temp. of 30 °C, water flow rate 96 L/min
 Heating: Indoor temp. of 20 °CDB, 15 °CWB, and heat source unit inlet water temp. of 20 °C, water flow rate 96 L/min

2. Refrigerant piping size applicable to European installations are shown in parentheses.

1. High-rise Building

- 100m or higher in height

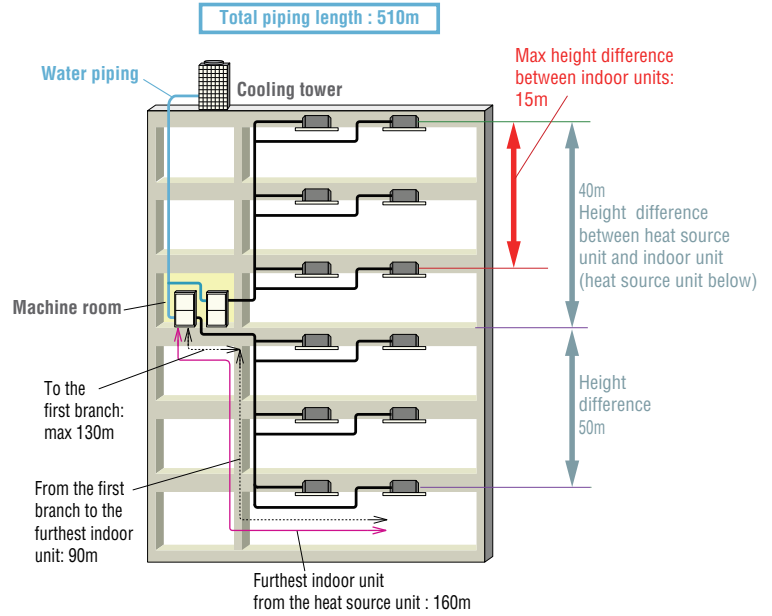
Heat source units on every floor
- New building projects -



2. Glass-exterior facade Building

- Possible to hide KXZW units and to keep fine sight

Heat source units in the machine room
- Renovation projects -



FDC615KXZWE1	FDC670KXZWE1	FDC730KXZWE1	FDC775KXZWE1	FDC850KXZWE1	FDC900KXZWE1	FDC950KXZWE1	FDC1000KXZWE1
280KXZWE1	335KXZWE1	224KXZWE1	224KXZWE1	280KXZWE1	280KXZWE1	280KXZWE1	335KXZWE1
335KXZWE1	335KXZWE1	224KXZWE1	280KXZWE1	280KXZWE1	280KXZWE1	335KXZWE1	335KXZWE1
-	-	280KXZWE1	280KXZWE1	280KXZWE1	335KXZWE1	335KXZWE1	335KXZWE1
22HP	24HP	26HP	28HP	30HP	32HP	34HP	36HP
3 Phase 380-415V, 50Hz							
61.5	67.0	73.0	77.5	85.0	90.0	95.0	100.0
69.0	75.0	82.5	90.0	95.0	100.0	106.0	112.0
13.7	16.3	14.2	15.5	17.5	19.5	21.7	24.3
11.4	12.6	13.8	14.8	15.4	16.4	17.6	18.8
4.49	4.11	5.14	5.00	4.86	4.62	4.38	4.12
6.05	5.95	5.98	6.08	6.17	6.10	6.02	5.96
-	-	-	-	-	-	-	-
370				555			
54	55	54		55	56		57
R410A / 2088							
9.9+9.9				9.9x3			
-							
ø12.7(1/2")				ø15.88(5/8")			
ø28.58(1-1/8")				ø31.75(1-1/4") [ø34.92(1-3/8")]			ø38.1(1-1/2") [ø34.92(1-3/8")]
				ø9.52(3/8")			
				R1 1/4			
				R1 1/4			
				Rp 1/2(internal thread)			
				510			
				50-150			
61	67	72	78		80		

Refrigerant piping

Installation of Interconnecting Pipework

KXZ equipment is manufactured to meet the highest standards of quality and reliability. It is imperative that the method of installation and the materials used are also to the high standards, to ensure trouble free operation and long term reliability.

The interconnecting pipework must be installed by a competent and trained engineer. Refrigeration quality copper tube must be used, soft copper coils or half-hard straight lengths. The refrigeration quality tube must be soft drawn seamless high grade copper pipe. The copper tube must be selected taking into account the higher operating pressures of R32 • R410A refrigerant, and that high pressures will occur throughout the system because of the reverse cycle operation. All pipework material used should comply with EN12735 European standard.

The supplied branch pipe kits, must be used to make connections to indoor units, and the supplied manifold kits must be used to make connections between outdoor units (where applicable); it is not permitted to use standard fittings such as elbows, tees etc. The branch pipes shall be installed in accordance with the manufacturer's instructions, allowing unrestricted flow of refrigerant, and in accordance with European standard EN378.

All brazed joints shall be made with dry nitrogen purge to ensure the prevention of oxidation of the internal surface of the copper pipes.

The ingress of moisture, dirt and any other contaminants to the interior of the copper pipes, and air-conditioning units, must be prevented during the installation procedure.

After the installation of pipework, prior to the connection of the outdoor units, and sealing of insulation joints, the pipework must be pressure tested for leakage, using dry nitrogen.

Additional Refrigerant

Only R32 • R410A refrigerant shall be used, it must be charged by weight only, using electronic scales. The amount of additional refrigerant must be accurately calculated from the manufacturer's data, based on the length and diameter of each section of the liquid refrigerant pipework of the system.

The products contains fluorinated greenhouse gases covered by Kyoto protocol.

Refrigerant piping size selection

Outdoor unit		Micro KXZ		
		121	140	155
Gas pipe	Furthest indoor unit =<70m	ø15.88		
Liquid pipe		ø9.52		

Outdoor unit		Micro KXZ			KXZ Lite	
		224	280	335	224	280
Gas pipe	Furthest indoor unit =<90m	ø19.05	ø22.22	ø25.4(ø22.22)	ø19.05	ø22.22
Liquid pipe		ø9.52		ø12.7	ø9.52	
Gas pipe	90m =<Furthest indoor unit	ø22.22	ø25.4(ø22.22)		ø22.22	ø25.4/ ø28.58
Liquid pipe		ø12.7			ø9.52	

Standard (Outdoor unit side branching pipe – Indoor unit side first branching pipe)

If the longest distance (measured between the outdoor unit and the farthest indoor unit) is 90m or longer (actual length), please change the main pipe size according to the table below.

Outdoor unit	Main pipe size (normal)		Pipe size for an actual length of 90m or longer	
	Gas pipe	Liquid pipe	Gas pipe	Liquid pipe
224	ø19.05 x t1.0	ø9.52 x t0.8	ø22.22 x t1.0	ø12.7 x t0.8
280	ø22.22 x t1.0		ø25.4 (ø22.22) x t1.0	
335	ø25.4 (ø22.22) x t1.0	ø28.58 x t1.0		
400	ø25.4 (ø28.58) x t1.0		ø31.8 x t1.1 (ø28.58 x t1.0)	
450	ø28.58 x t1.0	ø15.88 x t1.0		
475				
500				
560				
615				
670				
735	ø31.8 x t1.1 (ø34.92 x t1.2)			ø19.05 x t1.0
800				
850				
900				
950				
1000				
1060	ø38.1 x t1.35 (ø34.92 x t1.2)	ø22.22 x t1.0		
1120				
1200				
1250				
1300				
1350				
1425				
1450				
1500				
1560				
1620				
1680				

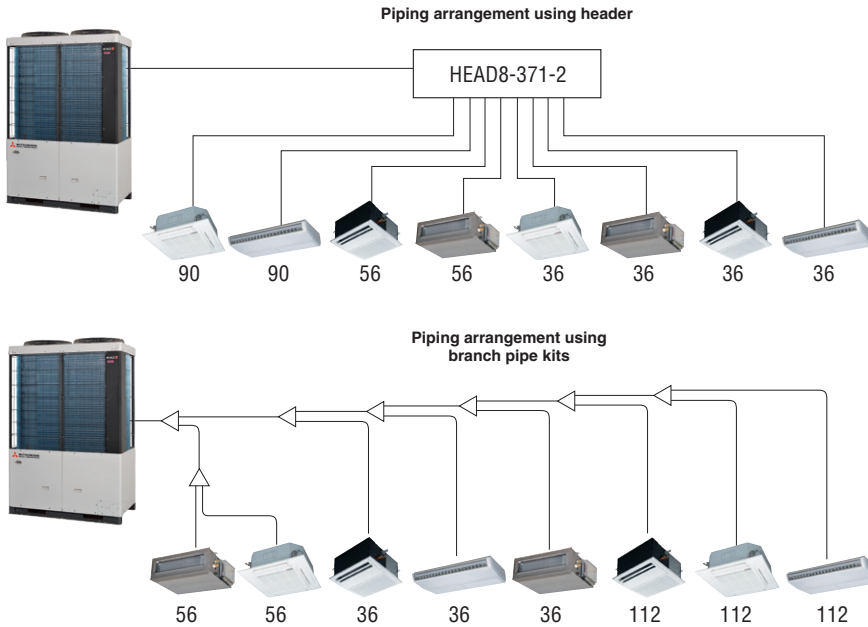
mm	inch
ø9.52	3/8"
ø12.7	1/2"
ø15.88	5/8"
ø19.05	3/4"
ø22.22	7/8"
ø25.4	1"

mm	inch
ø28.58	1-1/8"
ø31.8	1-1/4"
ø34.92	1-3/8"
ø38.1	1-1/2"
ø44.5	1-3/4"
ø50.8	2"

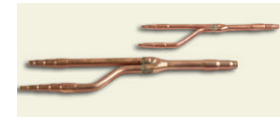
Please use C1220T-1/2H for ø19.05 or larger pipes.

Pipe sizes applicable to European installations are shown in parentheses.

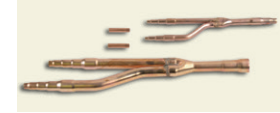
Single outdoor unit piping examples:



Branch pipes



DIS-22-1G/DIS-180-1G



DIS-371-1G/DIS-540-3

Header pipe



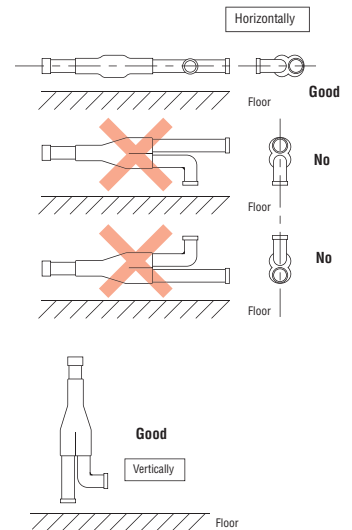
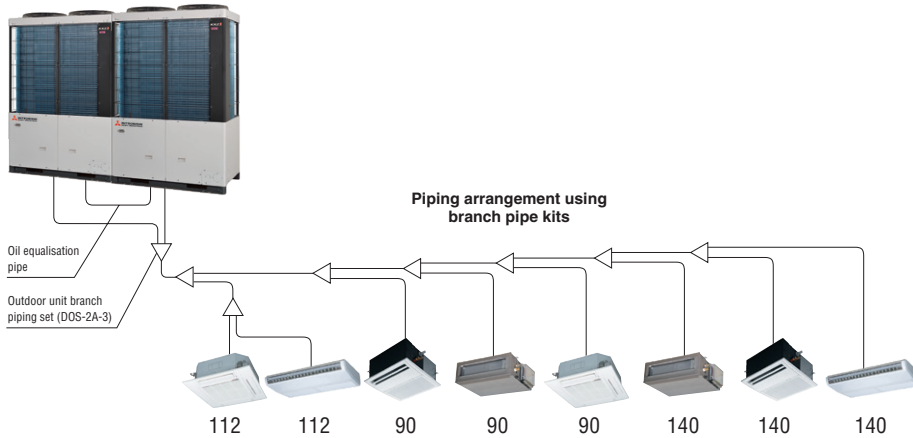
HEAD4-22-1G
HEAD6-180-1G
HEAD8-371-2

Combination outdoor unit manifold



DOS-2A-3
DOS-3A-3

Combination outdoor unit piping examples:



Outdoor unit side branching pipe set

Outdoor unit	KXZ3	KXZ2
For two units	DOS-2A-4	DOS-2A-3, DOS-2A-4
For three units	DOS-3A-4	DOS-3A-3, DOS-3A-4

Indoor unit side branching pipe set

Total capacity downstream	For KXZ3 OU	For KXZ2 OU
Less than 180		DIS-22-1G
180 or more but less than 371		DIS-180-1G
371 or more but less than 540		DIS-371-1G
540 or more	DIS-540-4	DIS-540-3, DIS-540-4

Indoor unit side Header set

Total capacity downstream	For KXZ3 OU	For KXZ2 OU	Number of branches
Less than 180	HEAD4-22-1G		4 branches at the most
180 or more but less than 371	HEAD6-180-1G		6 branches at the most
371 or more but less than 540	HEAD8-371-2		8 branches at the most
540 or more	HEAD8-540-4	HEAD8-540-3, HEAD8-540-4	8 branches at the most

Heat recovery systems (Outdoor unit side branching pipe – Indoor unit side first branching pipe)

If the longest distance (measured between the outdoor unit and the farthest indoor unit) is 90m or longer (actual length), please change the main pipe size according to the table below.

※ Even if the longest distance exceeds 90m (actual length), you do not need to change the size of discharge gas pipes.

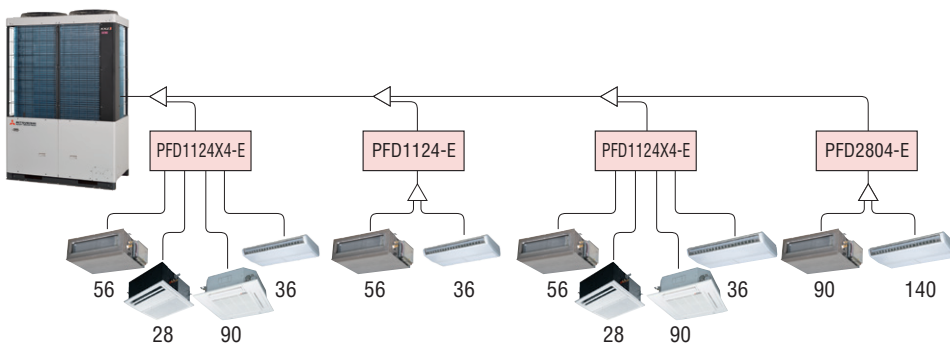
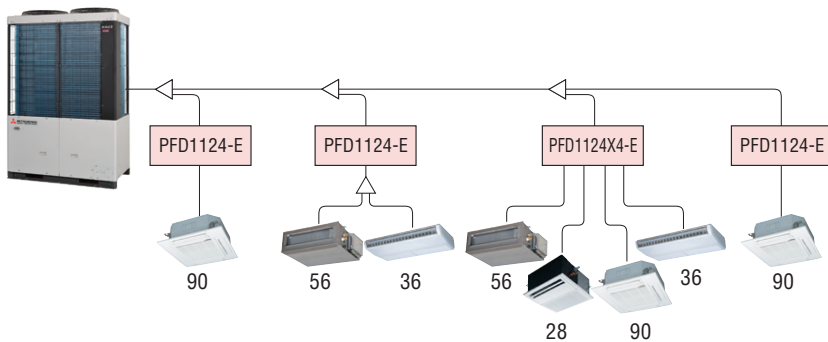
Outdoor unit	Main pipe size (normal)			Pipe size for an actual length of 90m or longer			mm	inch
	Suction gas pipe	Discharge gas pipe	Liquid pipe	Suction gas pipe	Discharge gas pipe	Liquid pipe		
224	ø19.05 × t1.0	ø15.88 × t1.0	ø9.52 × t0.8	ø22.22 × t1.0	ø15.88 × t1.0	ø12.7 × t0.8	ø9.52	3/8"
280	ø22.22 × t1.0	ø19.05 × t1.0		ø25.4 (ø22.22) × t1.0	ø19.05 × t1.0		ø22.22 × t1.0	ø12.7
335	ø25.4 (ø22.22) × t1.0		ø28.58 × t1.0			ø31.8 × t1.1 (ø28.58 × t1.0)		ø22.22 × t1.0
400	ø25.4 (ø28.58) × t1.0	ø25.4 (ø22.22) × t1.0		ø38.1 × t1.35 (ø34.92 × t1.2)	ø25.4 (ø22.22) × t1.0		ø19.05 × t1.0	
450	ø28.58 × t1.0		ø28.58 × t1.0			ø31.8 × t1.1 (ø28.58 × t1.0)		ø22.22 × t1.0
475		ø31.8 × t1.1 (ø34.92 × t1.2)		ø28.58 (ø25.4) × t1.0	ø15.88 × t1.0		ø28.58 × t1.0	
500	ø31.8 × t1.1 (ø34.92 × t1.2)		ø28.58 (ø25.4) × t1.0			ø15.88 × t1.0		ø28.58 × t1.0
560		ø31.8 × t1.1 (ø34.92 × t1.2)		ø28.58 (ø25.4) × t1.0	ø15.88 × t1.0		ø28.58 × t1.0	
615	ø31.8 × t1.1 (ø34.92 × t1.2)		ø28.58 (ø25.4) × t1.0			ø15.88 × t1.0		ø28.58 × t1.0
670		ø31.8 × t1.1 (ø34.92 × t1.2)		ø28.58 (ø25.4) × t1.0	ø15.88 × t1.0		ø28.58 × t1.0	
735	ø31.8 × t1.1 (ø34.92 × t1.2)		ø28.58 (ø25.4) × t1.0			ø15.88 × t1.0		ø28.58 × t1.0
800		ø31.8 × t1.1 (ø34.92 × t1.2)		ø28.58 (ø25.4) × t1.0	ø15.88 × t1.0		ø28.58 × t1.0	
850	ø31.8 × t1.1 (ø34.92 × t1.2)		ø28.58 (ø25.4) × t1.0			ø15.88 × t1.0		ø28.58 × t1.0
900		ø31.8 × t1.1 (ø34.92 × t1.2)		ø28.58 (ø25.4) × t1.0	ø15.88 × t1.0		ø28.58 × t1.0	
950	ø31.8 × t1.1 (ø34.92 × t1.2)		ø28.58 (ø25.4) × t1.0			ø15.88 × t1.0		ø28.58 × t1.0
1000		ø31.8 × t1.1 (ø34.92 × t1.2)		ø28.58 (ø25.4) × t1.0	ø15.88 × t1.0		ø28.58 × t1.0	
1060	ø31.8 × t1.1 (ø34.92 × t1.2)		ø28.58 (ø25.4) × t1.0			ø15.88 × t1.0		ø28.58 × t1.0
1120		ø31.8 × t1.1 (ø34.92 × t1.2)		ø28.58 (ø25.4) × t1.0	ø15.88 × t1.0		ø28.58 × t1.0	
1200	ø31.8 × t1.1 (ø34.92 × t1.2)		ø28.58 (ø25.4) × t1.0			ø15.88 × t1.0		ø28.58 × t1.0
1350		ø31.8 × t1.1 (ø34.92 × t1.2)		ø28.58 (ø25.4) × t1.0	ø15.88 × t1.0		ø28.58 × t1.0	
1425	ø31.8 × t1.1 (ø34.92 × t1.2)		ø28.58 (ø25.4) × t1.0			ø15.88 × t1.0		ø28.58 × t1.0
1450		ø31.8 × t1.1 (ø34.92 × t1.2)		ø28.58 (ø25.4) × t1.0	ø15.88 × t1.0		ø28.58 × t1.0	
1500	ø31.8 × t1.1 (ø34.92 × t1.2)		ø28.58 (ø25.4) × t1.0			ø15.88 × t1.0		ø28.58 × t1.0
1560		ø31.8 × t1.1 (ø34.92 × t1.2)		ø28.58 (ø25.4) × t1.0	ø15.88 × t1.0		ø28.58 × t1.0	
1620	ø31.8 × t1.1 (ø34.92 × t1.2)		ø28.58 (ø25.4) × t1.0			ø15.88 × t1.0		ø28.58 × t1.0
1680		ø31.8 × t1.1 (ø34.92 × t1.2)		ø28.58 (ø25.4) × t1.0	ø15.88 × t1.0		ø28.58 × t1.0	

mm	inch
ø9.52	3/8"
ø12.7	1/2"
ø15.88	5/8"
ø19.05	3/4"
ø22.22	7/8"
ø25.4	1"

mm	inch
ø28.58	1-1/8"
ø31.8	1-1/4"
ø34.92	1-3/8"
ø38.1	1-1/2"
ø44.5	1-3/4"
ø50.8	2"

Please use C1220T-1/2H for ø19.05 or larger pipes.
Pipe sizes applicable to European installations are shown in parentheses.

Single outdoor unit piping examples:



Branch pipes

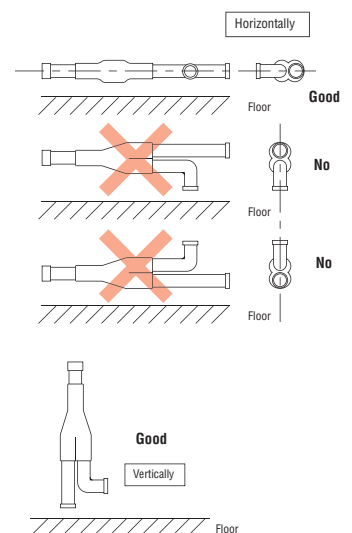


DIS-22-1-RG/DIS-180-1-RG

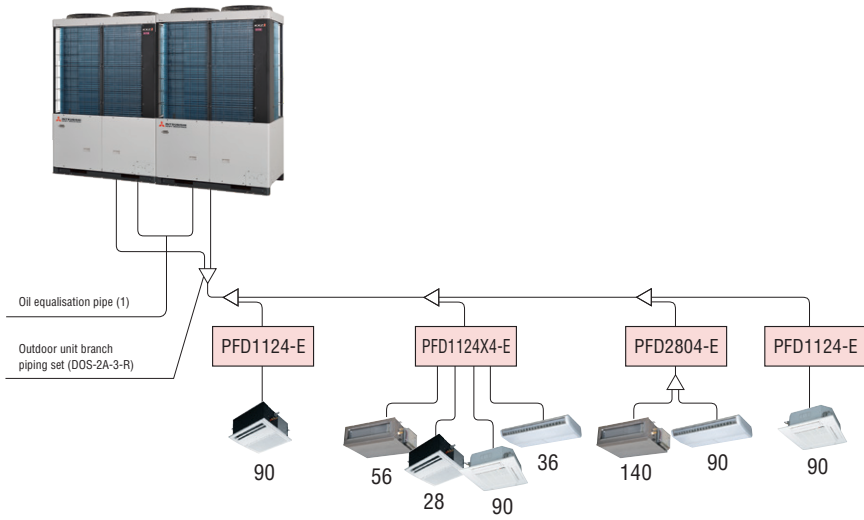
Combination outdoor unit manifold



DOS-2A-3-R
DOS-3A-3-R



Combination outdoor unit piping examples:



Outdoor unit's branch piping set

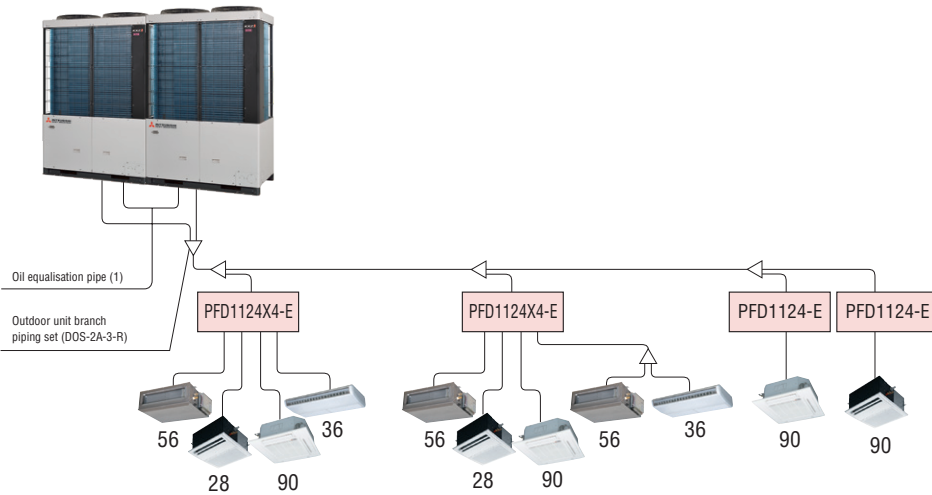
Outdoor unit	Branch piping set
2 units	DOS-2A-3-R
3 units	DOS-3A-3-R

Indoor unit's first branch piping set

Total capacity of indoor units	Branch piping set
Less than 180	DIS-22-1-RG
180 or more but less than 371	DIS-180-1-RG
371 or more but less than 540	DIS-371-2-RG
540 or more	DIS-540-2-RG

In the Down Stream of branching control

Total capacity of indoor units	Branch piping set
Less than 180	DIS-22-1-G
180 or more but less than 371	DIS-180-1-G
371 or more but less than 540	DIS-371-1-G
540 or more	DIS-540-3



KXZ series product Line up

Indoor units



18 types of exposed or concealed indoor units available in a wide range of capacities. The best solution of indoor units for all applications is available from our full lineup.

			1.5kW	2.2kW	2.8kW	3.6kW	4.5kW	
			0.5HP	0.8HP	1HP	1.25HP	1.6HP	
Ceiling Cassette	4way FDT				● ●	● ●	● ●	
	4way Compact FDTC		● ●	● ●	● ●	● ●	● ●	
	2way FDTW				● ●		● ●	
	1way FDTS						● ●	
	1way Compact FDTQ			● ●	● ●	● ●		
Duct Connected	High Static Pressure FDU						● ●	
	Low/Middle Static Pressure FDUM			● ●	● ●	● ●	● ●	
	Low Static Pressure(thin) FDUT		● ●	● ●	● ●	● ●	● ●	
	Compact & Flexible FDUH			● ●	● ●	● ●		
Wall Mounted FDK		● ●	● ●	● ●	● ●	● ●		
Ceiling Suspended FDE					● ●	● ●		
Floor Standing	2way FDFW				● ● Coming soon		● ● Coming soon	
	With Casing FDFL							
	Without Casing FDFU				● ●		● ●	
OA Processing unit FDU-F *								
Hydro module unit HMU								
Air flow m³/h			150	250	350	500		
Fresh Air Ventillation & Heat Exchange unit SAF			●	●	●	●		
Fresh Air Assembly SAF-DX				●	●	●		

Combination for KXZ outdoor units

Refrigerant ● : R32 *KXZ3 Micro KXZ* ● : R410A *KXZ2 Micro KXZ*



For the R32 Micro KXZ series the safety system of MHI has not been prepared.

	5.6kW	7.1kW	9.0kW	11.2kW	14.0kW	16.0kW	22.4kW	28.0kW
	2HP	2.5HP	3.2HP	4HP	5HP	6HP	8HP	10HP
	● ●	● ●	● ●	● ●	● ●	● ●		
	● ●							
	● ●	● ●	● ●	● ●	● ●			
		● ●						
	● ●	● ●	● ●	● ●	● ●	● ●	● ● *	● ● *
	● ●	● ●	● ●	● ●	● ●	● ●		
	● ●	● ●						
	● ●	● ●	● ●					
	● ●	● ●		● ●	● ●			
	● ●							
	Coming soon							
		● ●						
	● ●	● ●						
			●		●		●	●
					●			●
	800	1000						
	●	●						
	●	●						

* Can not be connected to the Micro model(4-6HP), KXZ Lite.

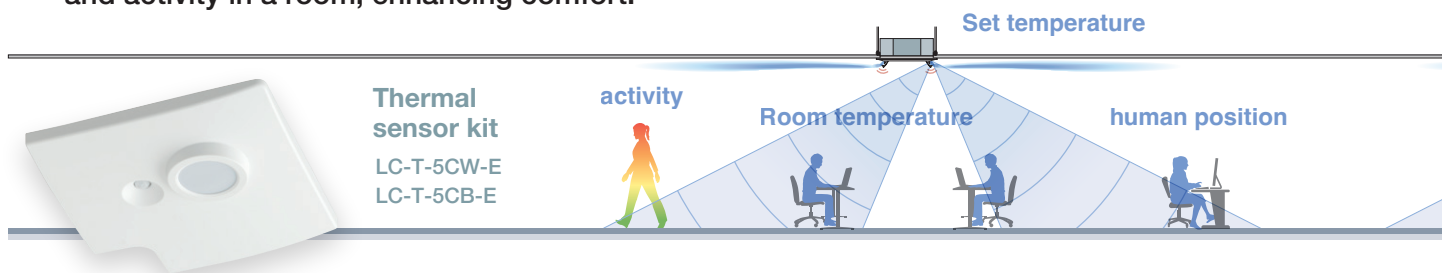


New Generation FDT



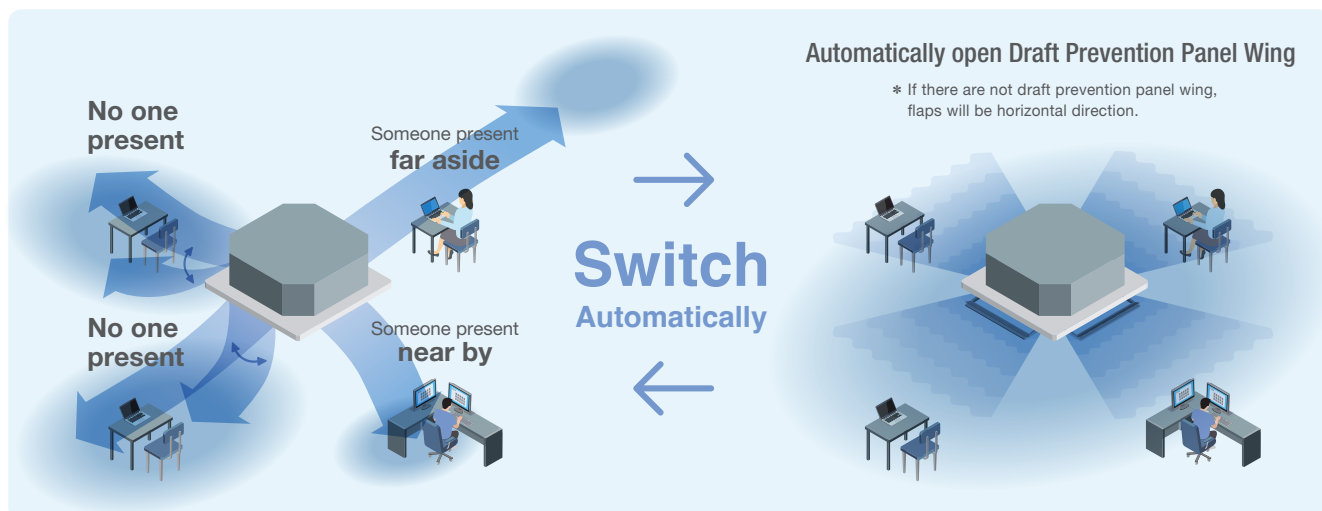
New **Automatic anti-draft control**

A corner-mounted motion sensors detects human presence and activity in a room, enhancing comfort.



1. Air flow based on human position

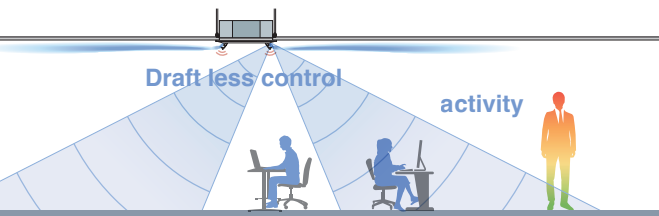
2. Anti-draft control for all directions



New

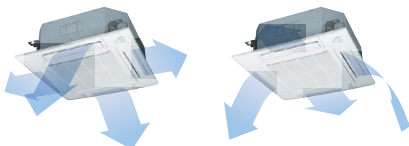
Thermal sensing soothing comfort

A Sensor to optimize the air flow



Direct flow control

The louvers are controlled to blow towards human position.



Draft less control

Draft prevention panel is activated based on human position.



New Improved performance

Power consumption decreased by:

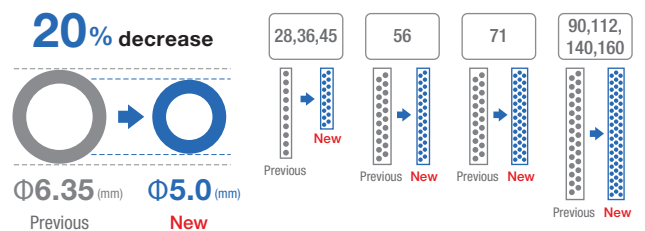
1. Adopting new designed impeller and flow path

improves the aerodynamic performance of the unit.



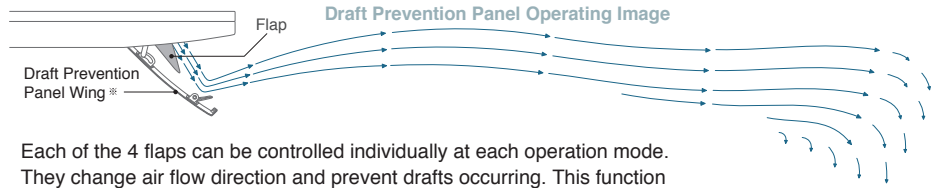
2. $\Phi 5.0$ heat exchanger tube is adopted to improve the performance

Slimmer heat exchanger and a dense copper piping.



Draft Prevention Panel (Option)

Keep maximum comfort with minimal draft : FDT & FDTC control flaps with more flexibility.



Each of the 4 flaps can be controlled individually at each operation mode. They change air flow direction and prevent drafts occurring. This function also provides flexible control for air flow direction. User can position Draft Prevention Panel panels by using only the remote controller (RC-EX3D, Wireless kit).

- It can also prevent user from being directly blown by hot drafts in heating mode.



Draft Prevention Panel provides a comfortable air flow without any draft feeling. Whether cooling or heating a room, the remote control can be used to instantly suppress any warm or cool drafts. This accurately assists how air flow is directed out of the indoor unit.

Motion sensor (Option)



Three Steps Control

1 Power Control

Motion sensor (option) detects human activity. Energy saving control is achieved by shifting set temperature according to detected amount of activity.

2 Stand by

Unit will go on stand-by mode when no activity is detected. When the motion sensor detects activity again, the unit will automatically re-start operation.

3 Auto Off

Unit will go off automatically when no activity is detected for 12 hours.

Operation mode and Control of Motion sensor

eco operation comfort operation

Human activity		Operation mode				
		Auto	Cool	Heat	Dry	Fan
Power Control ^{*1}	Low	Cooling +3°C	+3°C	+3°C	—	—
		Heating +3°C				
	High	Cooling -3°C	-3°C	-3°C	—	—
		Heating -3°C				
	None	Cooling -3°C	-3°C	-3°C	—	—
		Heating -3°C				
Auto Off ^{*2}		●	●	●	●	●

*1 Set temperature is revised maximum ±3°C at Cooling/Heating mode by detecting heat volume movement.

*2 Absence for 1 hour ⇒ Operation stops ("Stand-by") 12 hours absence ⇒ Operation stops completely

Wireless Control System Now available in our FDT series

Control your air-conditioner from anywhere, anytime.

If you turn on the air-conditioner when you're on the go, you'll be comfortable when you get to the office. Even if you forget to turn it off, you can turn it off when you are out and about.



WF-PAC-E



You can control the air-conditioner at home or on the go by installing App (Smart M-Air) on your smartphone or tablet.



Search for "Smart M-Air" from the Google Play™ store for Android™ and App Store for iPhone.



Application compatible model:

Please check the app stores for the latest supported OS version information.

App Store and iPhone are registered trademarks of Apple Inc. Google Play and the Google Play logo are trademarks of Google LLC.

Functions

- 1 Turn ON/OFF
- 2 Change operation mode (Auto, Cool, Heat, Fan, Dry)
- 3 Control temperature
- 4 Set Timers
- 5 Favourite setting

Notification Function

- 1 Shut-off reminder alert
- 2 Accidentally left running
It will be sent to your smart device if the air-conditioner is accidentally left running
- 3 Watching function

Weekly Timer



Timers can be set for different days of the week. They can also be set from the calendar.

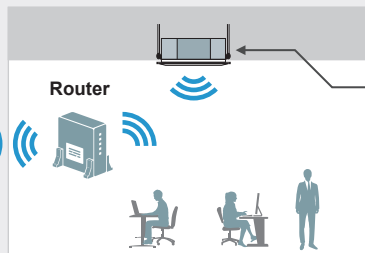
System configuration

Smartphone / Tablet



Internet

Router



WF-PAC-E



* For the units that does not include wireless LAN the function could be used by adopting an option (WF-PAC-E)

*SC-BIKN2-E cannot be used simultaneously for system configuration.

Indoor unit

Serviceability & workability

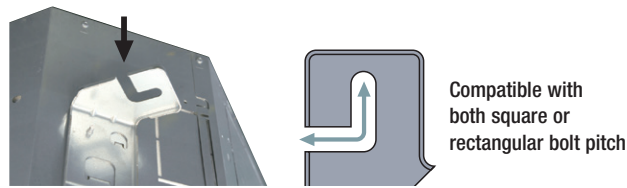
Easy and quick installation and maintenance

Quick positioning!

Indoor unit is easily positioned and installed

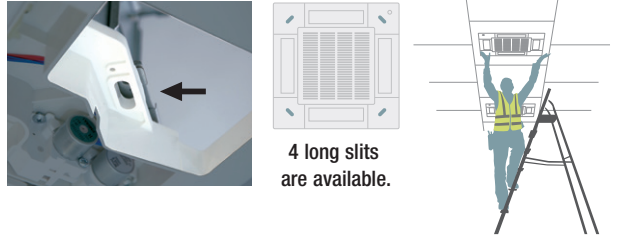
1 Adjustable easier positioning of unit by new slits **FDT**

New shape of slit is suitable to install the unit with more flexibility, compatible with many kinds of suspending bolt pitch on site. Any rectangular or squared pitch of suspending bolts are available with this slit.



2 New slit in panel allows easier installation on site **FDT** **FDTC**

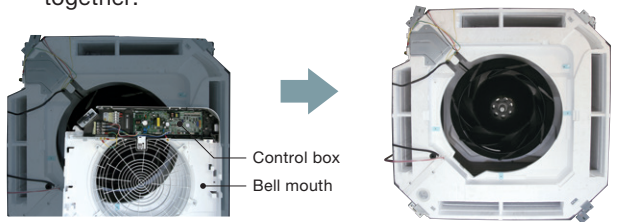
Flexible positioning is available, which helps adjusting the direction of panel accordingly to lines or pattern on the ceiling.



Quick installation and maintenance

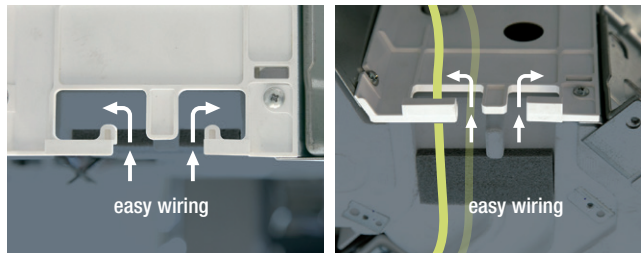
1 Easy access to component part for easy maintenance **FDT**

1. The control box and bell mouth can be removed together.
2. Easy access to impeller and fan motor.



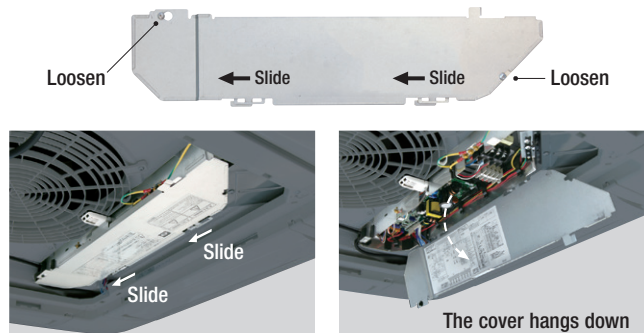
2 New shape of path of wiring **FDT**

New shape of path gives easy wiring work for installation.



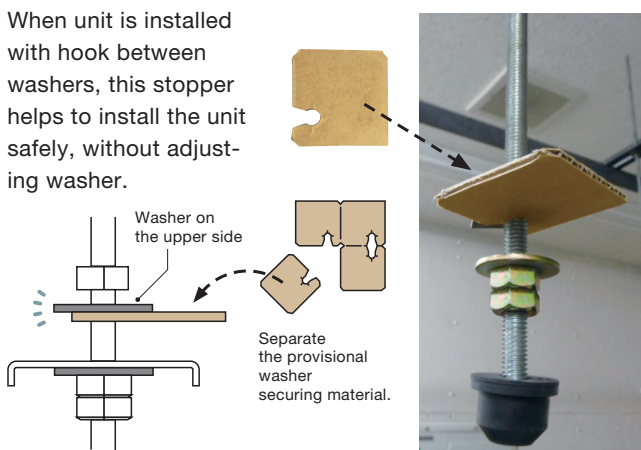
3 No need to remove screws to open the controller cover **FDT**

It is possible to loose and slide open the cover without removing the screws. This prevents the cover from falling and causing damage on site.



4 More safe installation by stopper of washer **FDT** **FDTC**

When unit is installed with hook between washers, this stopper helps to install the unit safely, without adjusting washer.

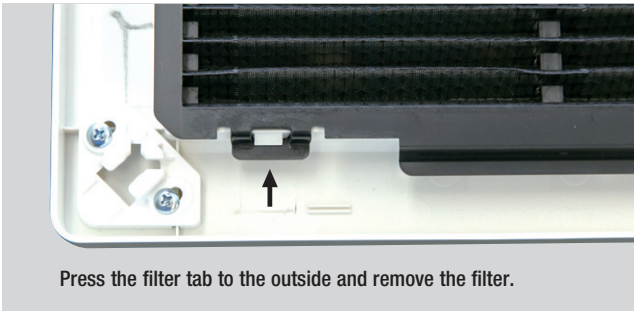


Easy installation and maintenance

For smooth and easy working

1 Easy and flexible hook to remove the filter FDT FDTC

Hook of soft material helps to remove the filter without dust spreading.



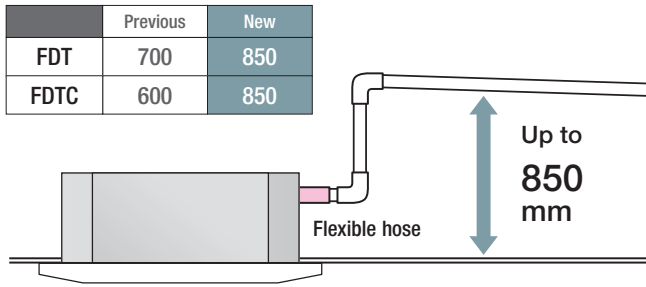
2 Securely fix the corner lid by strap FDT

The direction of the strap hook part has been changed from longitudinal to lateral. Furthermore, a barb has been added to the hook pin to prevent the strap from coming off.



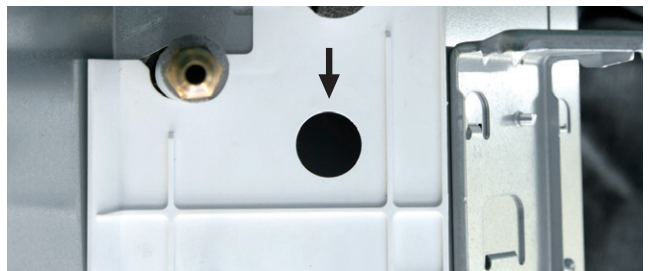
3 Drain-up-lift increases up to 850 mm FDT FDTC

The drain can be lifted up to 850 mm from the ceiling surface.

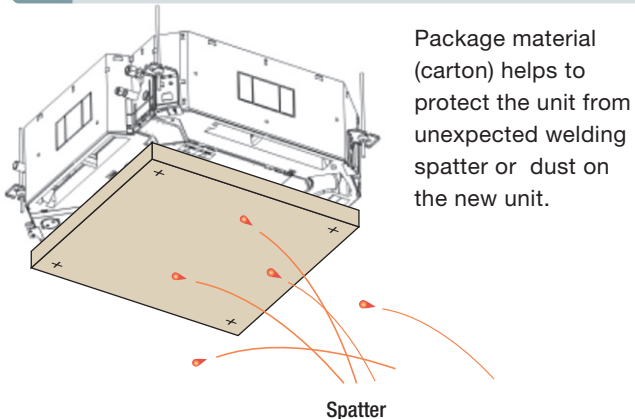


4 New port to check drain water flow FDT

A water supply port has been provided in the piping lid for easier testing of the drain water flow. (The port is usually sealed with a rubber cap.)

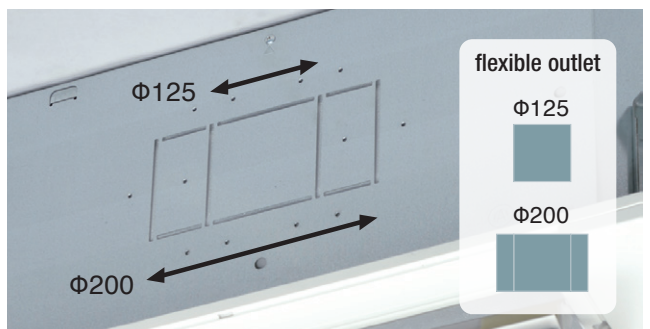


5 Re-use of packages during construction work FDT FDTC



6 More flexible outlet for ducting FDT FDTC

Both $\Phi 125$ and $\Phi 200$ (oval shaped) are available.



Remote Control

Simple use with advanced settings REMOTE CONTROL

RC-EX3D

Intuitive touch controller with Liquid Crystal Display

Function Switch

The function switch allows you to select and set two functions of your choice among the seven available functions shown. These functions can be used by simply pressing the button after they are set, allowing you to use your preferable functions immediately.



1. Draft prevention ON/OFF



Anti draft can be turned ON/OFF with a single tap of the button.

2. High Power Mode



High Power Mode achieve excessive cooling / heating capacity in 15 minutes to quickly adjust the room temperature to a comfortable level.

3. Energy Saving Mode



Temperature is set to be optimized to save energy without losing comfort.

4. Quiet Mode



Outdoor unit starts to operate quietly by activating this mode. The time of this mode can be set in conjunction with Indoor Silent Timer.

5. Home Leave Mode



Home leave mode maintains the room temperature at a moderate level.

6. Favourite Mode



Operation mode, set temperature, fan speed and air flow direction will automatically be adjusted to the programmed favourite setting.

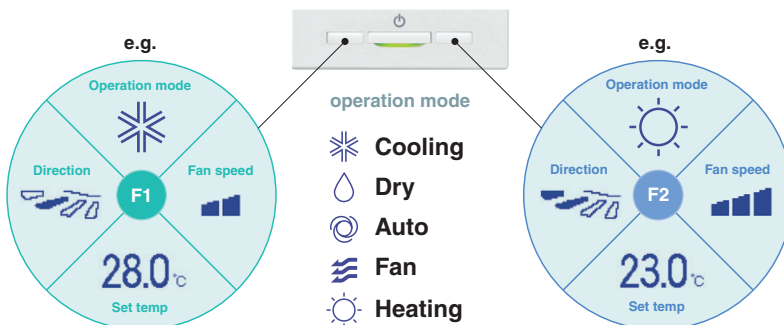
7. Filter Sign



Announces the due time for cleaning the air filter.

Favourite Mode

Operation mode, set temperature, fan speed and air flow direction are memorized and allocated to two buttons that can be operated by one touch.



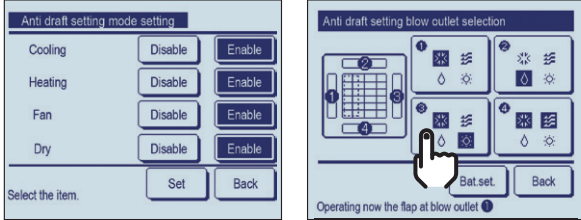
Adjustable Brightness of the Operation Lamp

The brightness of the operation lamp behind Run/Stop switch can be adjusted by 10 stages.



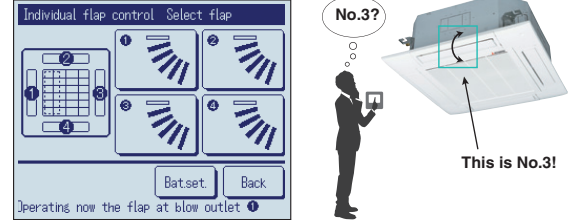
Draft Prevention Setting (only for FDT•FDTC series)

User can enable/disable the motion of Draft prevention panel for each blow outlet for each operation mode. This function can be set while operating.



Easy Adjustment of the Air Flow

User can visually confirm and set the direction of flaps using the visual display on the remote controller.



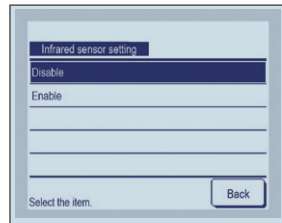
Motion Sensor Control

Presence of humans and activity are detected by a motion sensor to perform various controls.

1 Select Enable / Disable Motion sensor control



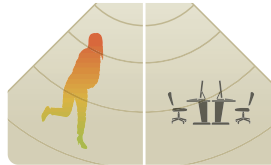
Enable/Disable



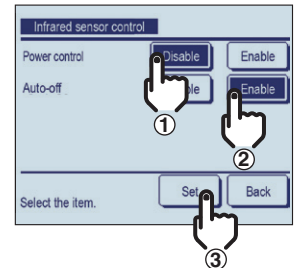
Select **Enable**/**Disable** for the motion sensor of the indoor unit connected to the R/C.

2 Select Enable / Disable per control

- Power control
- Auto-off



Enable/Disable

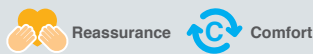


Backup Control

Control restricted to two indoor units (two groups)

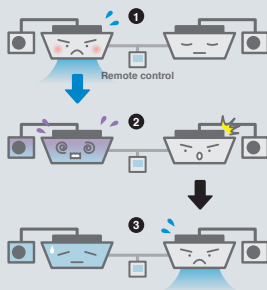


Fault backup control



Keep back up all the time!

If one of the two indoor units malfunctions and stops its operation, the other starts backup operation so that users' comfort will not be compromised.

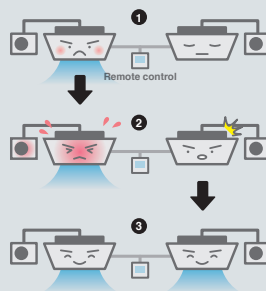


Capacity backup control



Maintains users' comfort!

When the control system detects either of its two units operating with overload, the other unit cover the capacity.

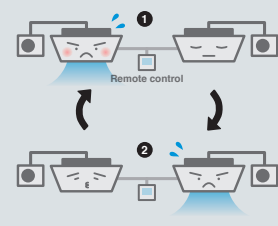


Rotational operation control



Energy saving and longer life!

By operating two indoor units alternately, their chronological changes are equalized. (The alternate operation cycle can be specified in a range from 1 to 999 hours in increments of 1 hours.)



New! Design Remote Control

RC-ES1

- Simple and sophisticated design
- Compact size (86×86mm)
- Remote control with Bluetooth® wireless technology



You can control the air-conditioner
by installing App on your smart phone



Search for "Smart M-Air PRO" from the Google Play™ store for Android™ and App Store for iPhone.

Please check the app stores for the latest supported OS version information.

App Store and iPhone are registered trademarks of Apple Inc.
Google Play and the Google Play logo are trademarks of Google LLC.



Wireless connection

- Remote control with Bluetooth® wireless technology
- Easy set-up of indoor units
- Notifications of abnormal conditions or operational data from the remote control will be sent to your smartphone.



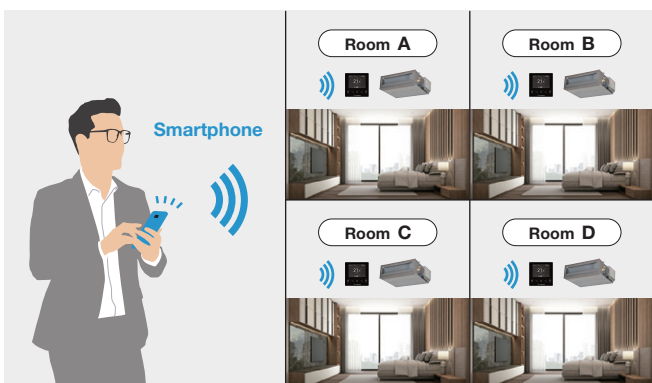
Information screen

By looking at the information screen, you can check the current operating conditions at a glance.



Central management by smart phone

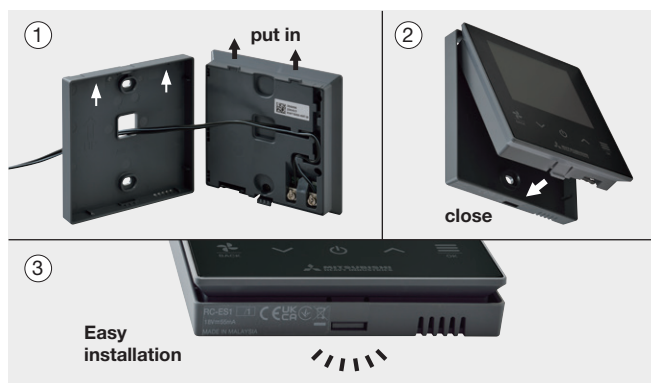
You can select and change the settings of multiple rooms with only one action on your smartphone.*



*The function would be available when the smartphone is connected to the remote control with Bluetooth® wireless technology.

Easy installation with the new casing structure

The casing is separated into the lower and the upper case. By inserting the upper case into the lower case embedded to the wall, the remote could be easily installed.



Easy to instinctively operate with simplified icons

Operation settings	Common settings	Display & sound settings
<p>MODE Operation mode Heating / Cooling / Fan / Dry / Auto</p> <p>High power ON / OFF</p> <p>Ventilation ON / OFF</p> <p>Timer Set ON / OFF timer by hour Set ON / OFF timer by clock</p> <p>Air direction Upper / lower flap, Flap direction</p>	<p>Bluetooth ON / OFF</p> <p>Pairing mode Make a new Bluetooth pairing</p> <p>App QR code QR code for the app</p>	<p>Brightness 1-10</p> <p>Lighting time 1-10</p> <p>Operation sound Sound On / Sound Off</p>
Information screen		
<p>Temporary stop</p> <p>Thermo-off</p> <p>Fan operation</p> <p>Cooling test run</p> <p>Static pressure adjustment</p> <p>Dew drop prevention control</p> <p>Home leave operation</p>	<p>High power operation</p> <p>Eco operation</p> <p>Set temp. shift</p> <p>Warm up operation</p> <p>Heating preparation</p> <p>Defrost operation</p> <p>Outdoor silent operation</p>	<p>Motion sensor control</p> <p>Anti draft control</p> <p>Demand control</p> <p>Filter cleaning time</p> <p>Back-up control in operation</p> <p>Fault back-up control in operation</p> <p>Periodical check indication</p> <p>On timer setting</p> <p>OFF timer setting</p> <p>Weekly timer setting</p> <p>Sleep timer setting</p>

*The Bluetooth® word mark and logos are registered trademarks owned by Bluetooth SIG, Inc. and any use of such marks by MITSUBISHI HEAVY INDUSTRIES THERMAL SYSTEMS, LTD. is under license.

Other trademarks and trade names are those of their respective owners.*

*QR Code® is a registered trademark of DENSO WAVE INCORPORATED.

Indoor unit benefits Summary

Benefits Series



When using RC-EX3D (Remote control), functions with symbol ● are available.

However, for RC-E5 (Remote control), functions with ★ are not available.

Energy Saving 	Inverter technology	Inverter control technology delivers high efficiency and a smooth operation from high speed to low speed. A smooth sine voltage wave is attained.	
	Energy-saving ★	Since the capacity is controlled automatically based on the outdoor temperature, energy can be saved without losing comfort.	
	Motion sensor ★	This sensor detects human activity and shifts the temperature setting according to the amount of activity in the room.	
	Home leave operation ★	This function ensures that when the room is unoccupied for long periods of time, the unit will maintain a moderate indoor temperature, avoiding extremely hot or cool temperatures.	
	Set temperature auto return ★	This function allows the user to program a preferred set temperature that the unit will return to each time it is operated.	
Comfort 	Automatic operation	This function automatically selects the required heating or cooling function based on the current room conditions.	
	Silent operation	This function allows the user to program periods where the unit will operate with reduced noise levels, perfect for night time and an uninterrupted sleep.	
	Hi power operation ★	Use the high power function to quickly reach your optimum temperature level when you first turn on the unit. This function will operate for a maximum of 15 minutes before returning to normal operation.	
Air flow 	Flap control system	This function allows the user to set the upper and lower limit positions of the flap at each air outlet individually, providing you with complete control over interior air flow.	
	Vertical auto swing	The vertical louvers on your unit will move up and down continuously during operation. This function allows you to set the up/down swing position of the louver to the preferred operation angle.	
	Draft prevention setting ★	Draft Prevention setting provides a comfortable air flow without any draft feeling. Whether cooling or heating a room, the remote control can be used to instantly suppress any warm or cool drafts. This accurately assists how air flow is directed out of the indoor unit.	
	Automatic fan speed	The unit's on-board microcomputer continuously monitors the room's air temperature and adjusts the air flow automatically.	
Timer 	Sleep timer	This function allows the user to set a pre-determined amount of time between 30 and 240 minutes that your unit will operate for before switching off.	
	Peak-cut timer ★	This function lets the user to preset the capacity limit during certain periods of the day, minimising energy consumption during peak billing times, thus reducing operation costs.	
	Weekly timer	Set the unit to turn on and off automatically on a weekly basis to suit your usual room usage on each day.	
Convenient 	Function Switch ★	From the eight available functions on the unit, this function allows the user to set two functions to operate automatically.	
	Favourite setting ★	Operation mode, set temperature, fan speed and air flow direction automatically adjust to the programmed favourite setting.	
	Static pressure adjustment	This is operable when connecting duct type indoor units equipped with the external static pressure adjustment function. It will adjust the air flow accordingly based on the connected duct static pressure.	
	Select the language ★	Set the language to be displayed on the remote control.	
	Air filter	The air filter in the unit traps and removes airborne dust particles and other allergens to provide you clean air.	
	Filter sign	This warning alerts when the filter needs to be cleaned.	
	Outside air intake	This function provides clean fresh air into the room through the external air intake, avoiding the constant recycling of internal air.	
Others	Self diagnostics	The internal microcomputer automatically runs a diagnostic of the system in the event of a malfunction. This enables authorised dealers to isolate and repair any issues.	
	Built in drain pump	The built-in drain pump, allows greater flexibility with installation, offering a great solution for applications with limited space.	
	Improved serviceability	The fan unit (comprised of impeller and motor) is easily accessible from either the side or bottom of the unit and can be slid out for easy maintenance.	

Ceiling Cassette -4way- FDT **New!**



FDT28-160



Black Panel



Draft Prevention Panel
(Option)

Remote control (option)

Wired



RC-EX3D



RC-E5



RCH-E3



RC-ES1

Wireless



RCN-T-5BW-E2(White)



RCN-T-5BB-E2(Black)



R32 Leak detector and shut-off valve available as an option

Refrigerant leak detector
RLD-KIT-E

Shut-off valve
SV-KIT-S1N-E
SV-KIT-L1N-E



*R32 indoor unit are not compatible with R410A outdoor unit and vice versa.

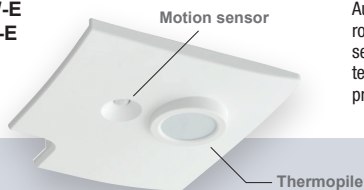
Panel select pattern			(option)			
		Receiver	Sensor		Receiver	Interface
			Thermal sensor kit LC-T-5CW(B)-E	Motion sensor kit LB-T-5BW(B)-E	Wireless receiver kit RCN-T-5BW(B)-E2	Wireless LAN interface WF-PAC-E
KXZE3-W	Standard Panel		●	●	●	●
	Draft Prevention Panel	T-PSAE-5CW(B)-E				
KXZE1	Standard Panel		—	●	●	—
	Draft Prevention Panel	T-PSAE-5BW(B)-E				

Automatic anti-draft control

(option)

Thermal sensor kit

LC-T-5CW-E
LC-T-5CB-E



1. Automatic anti-draft control

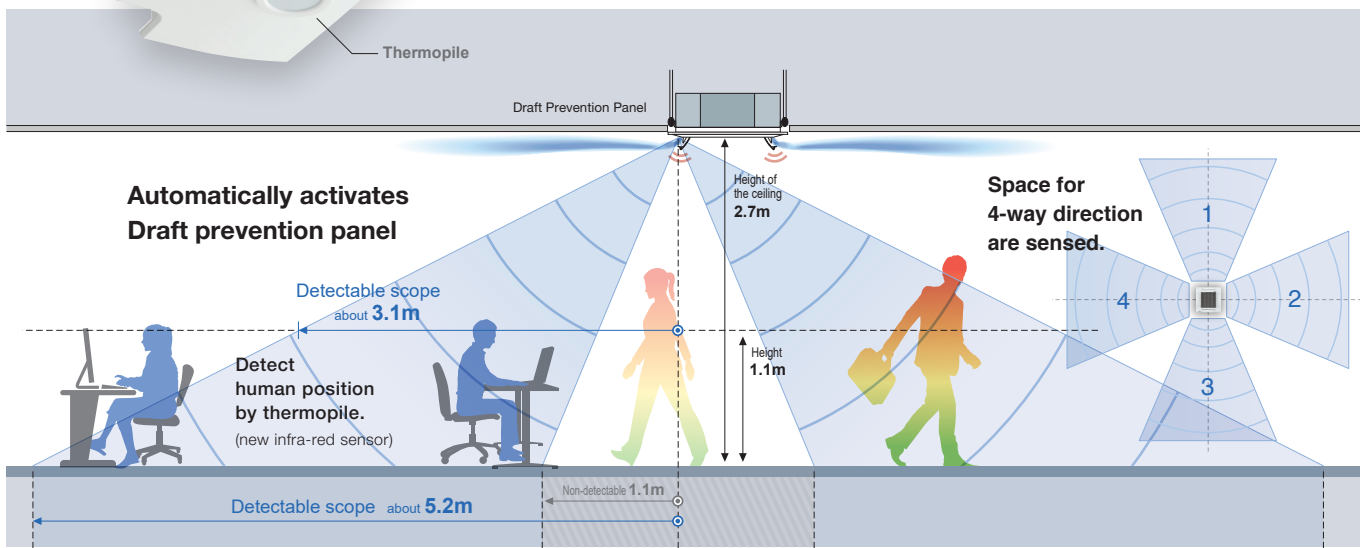
Automatically activates the louvers when the room temperature is hotter or colder than the set temperature. After detecting the room temperature at the set temperature, the draft prevention panel is activated.

2. Direct flow control

The louvers are controlled to blow towards human position.

3. Draft less control

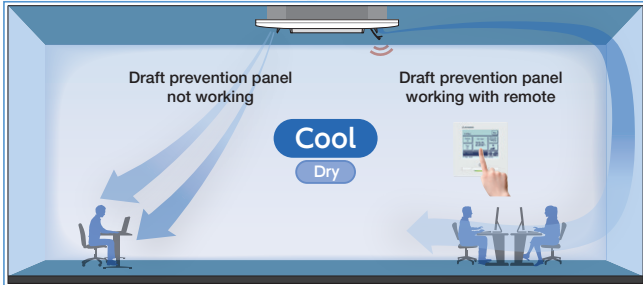
Draft prevention panel is activated based on human position



Draft Prevention Panel (option)



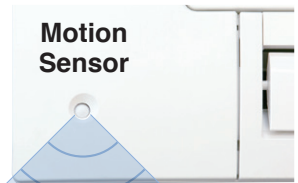
This prevents cold/hot draft being blown directly on the user. It is possible to set Draft Prevention Panel for each air outlet.



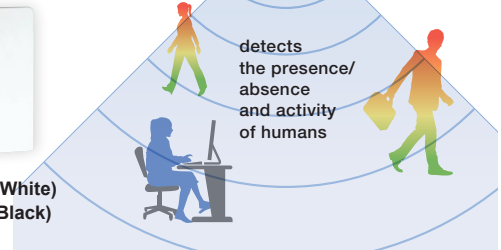
User can position panels by using the remote controller (RC-EX3D, Wireless kit) only when Draft Prevention Panel is available.

Motion Sensor (option)

Motion sensor is equipped in the corner of the panel and detects the presence/absence and activity of humans in a room to improve the comfort and energy saving performance of the unit.

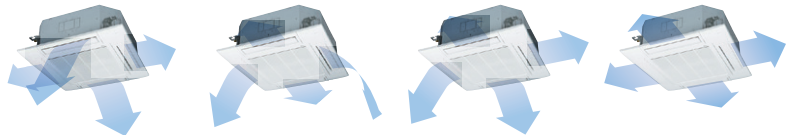


LB-T-5BW-E(White)
LB-T-5BB-E(Black)



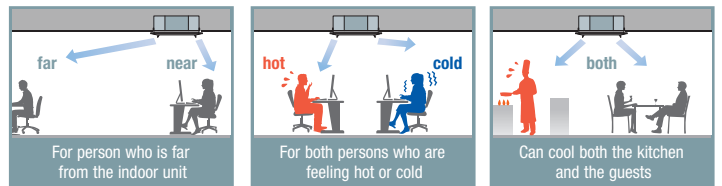
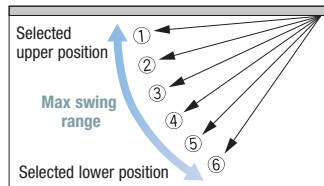
Individual flap control system

According to room conditions, four directions of air flow can be controlled individually by utilizing the flap control system. Individual flap control is available even after installation.



Flap can swing within an upper and lower flap range that can be selected with a wired remote control.

* The wireless remote control is not applicable to the Individual flap control system.



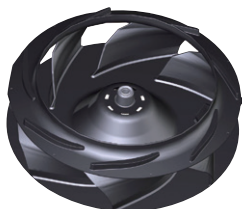
Power consumption decreased by new technologies

1. Adopting new impeller and flow path.

New designed impeller

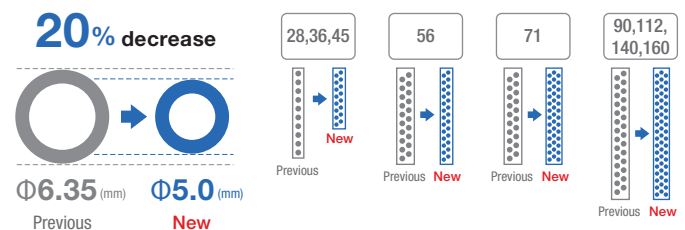
improves the aerodynamic performance of the unit.

New designed component has better aerodynamic performance and achieve lower noise.



2. $\Phi 5.0$ heat exchanger tubes is adopted to improve the performance.

Slimmer heat exchanger and a dense copper piping.



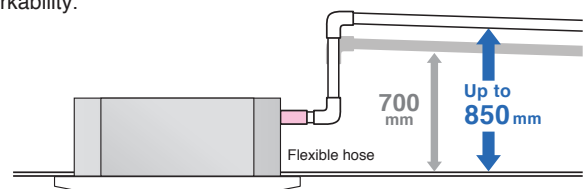
Wireless Control System Now available in our FDT series

Control your air-conditioner from anywhere, anytime. If you turn on the air-conditioner when you're on the go, you'll be comfortable when you get to the office. Even if you forget to turn it off, you can turn it off when you are out and about.



850mm Drain Pump

Drain can be discharged upwards up to 850mm from the ceiling surface, allowing a piping layout with a high degree of freedom. Thanks to the 185mm flexible hose, equipment supports easy workability.



SPECIFICATIONS

Indoor unit	FDT		28KXZE3-W	36KXZE3-W	45KXZE3-W	56KXZE3-W	71KXZE3-W	90KXZE3-W	112KXZE3-W	140KXZE3-W	160KXZE3-W
Power source			1 Phase 220-240V, 50Hz								
Nominal capacity	Cooling	kW	2.8	3.6	4.5	5.6	7.1	9.0	11.2	14.0	16.0
	Heating		3.2	4.0	5.0	6.3	8.0	10.0	12.5	16.0	18.0
Power consumption	Cooling	W	40-40			70-70	80-80	130-130			
	Heating		40-40			70-70	80-80	130-130			
Sound power level ¹	Cooling	dB(A)	55			60	62	65			
	Heating		55			60	62	65			
Sound pressure level ¹ (P-Hi/Hi/Me/Lo)	Cooling	dB(A)	40/31/30/28	40/34/30/28	40/34/31/28	45/34/31/29	47/35/32/28	49/38/36/31	49/39/37/31	49/42/39/32	49/42/40/33
	Heating		40/31/26/23	40/33/26/23	40/33/30/23	45/34/31/29	47/35/32/28	49/38/36/31	49/39/37/31	49/42/39/32	49/42/40/33
Exterior dimensions (HeightxWidthxDepth)	Unit	mm	236x840x840				298x840x840				
	Panel		35x950x950				35x950x950				
Net weight	Unit	kg	21		22	24	28				
	Panel		Standard panel : 5, Draft prevention panel : 6								
Air flow (P-Hi/Hi/Me/Lo)	Cooling	m ³ / min	19/12/10/9	19/14/10/9	19/14/12/9	25/15/13/11	28/16/14/12	37/24/21/16	37/24/22/16	37/27/24/17	37/28/25/18
	Heating		19/12/10/9	19/14/10/9	19/14/12/9	25/15/13/11	28/16/14/12	37/24/21/16	37/24/22/16	37/27/24/17	37/28/25/18
Outside air intake			Possible								
Refrigerant piping size (Flare)	Liquid	mm (in)	ø6.35(1/4")				ø9.52(3/8")				
	Gas		ø9.52(3/8")	ø12.7(1/2")			ø15.88(5/8")				
Panel (option)			White : T-PSA-5CW-E, T-PSAE-5CW-E Black : T-PSA-5CB-E, T-PSAE-5CB-E								
Air filter, Q'ty			Pocket plastic net x 1(Washable)								

Indoor unit	FDT		28KXZE1	36KXZE1	45KXZE1	56KXZE1	71KXZE1	90KXZE1	112KXZE1	140KXZE1	160KXZE1
Power source			1 Phase 220-240V, 50Hz								
Nominal capacity	Cooling	kW	2.8	3.6	4.5	5.6	7.1	9.0	11.2	14.0	16.0
	Heating		3.2	4.0	5.0	6.3	8.0	10.0	12.5	16.0	18.0
Power consumption	Cooling	W	40-40			70-70	80-80	130-130	140-140		
	Heating		40-40			70-70	80-80	130-130	140-140		
Sound power level ¹	Cooling	dB(A)	55			60	62	65		66	
	Heating		55			60	62	65		66	
Sound pressure level ¹ (P-Hi/Hi/Me/Lo)	Cooling	dB(A)	38/33/30/28		38/33/31/29	44/33/31/29	47/35/32/28	49/38/36/31	49/39/37/31	49/42/39/32	49/42/39/33
	Heating		38/33/30/28		38/33/31/29	44/33/31/29	47/35/32/28	49/38/36/31	49/39/37/31	49/42/39/32	49/42/39/33
Exterior dimensions (HeightxWidthxDepth)	Unit	mm	236x840x840				298x840x840				
	Panel		35x950x950				35x950x950				
Net weight	Unit	kg	20		21.5		25				
	Panel		Standard panel : 5, Draft prevention panel : 6								
Air flow (P-Hi/Hi/Me/Lo)	Cooling	m ³ / min	20/14/12/10	20/14/12/10	20/15/13/10	26/16/13/11	28/17/14/12	37/25/22/15	38/26/23/17	38/28/25/18	38/29/26/19
	Heating		20/14/12/10	20/14/12/10	20/15/13/10	26/16/13/11	28/17/14/12	37/25/22/15	38/26/23/17	38/28/25/18	38/29/26/19
Outside air intake			Possible								
Refrigerant piping size (Flare)	Liquid	mm (in)	ø6.35(1/4")				ø9.52(3/8")				
	Gas		ø9.52(3/8")	ø12.7(1/2")			ø15.88(5/8")				
Panel (option)			White : T-PSA-5BW-E, T-PSAE-5BW-E Black : T-PSA-5BB-E, T-PSAE-5BB-E								
Air filter, Q'ty			Pocket plastic net x 1(Washable)								

- The data are measured under the following conditions(ISO-T1). Cooling: Indoor temp. of 27°CDB, 19°CWB, and outdoor temp. of 35°CDB. Heating: Indoor temp. of 20°CDB, and outdoor temp. of 7°CDB, 6°CWB.
- Sound pressure level indicates the value in an anechoic chamber. During operation these values are somewhat higher due to ambient conditions



Ceiling Cassette - 4way Compact FDTC



New!



FDTC15-56

Honeycomb type



Draft Prevention Panel (option)



Grid type

*R32 indoor unit are not compatible with R410A outdoor unit and vice versa.

Remote control (option)

Wired



RC-EX3D RC-E5 RCH-E3 RC-ES1

Wireless



RCN-TC-5AW-E3

R32 Leak detector and shut-off valve available as an option

Refrigerant leak detector
RLD-KIT-E

Shut-off valve
SV-KIT-S1N-E
SV-KIT-L1N-E



Panel select pattern

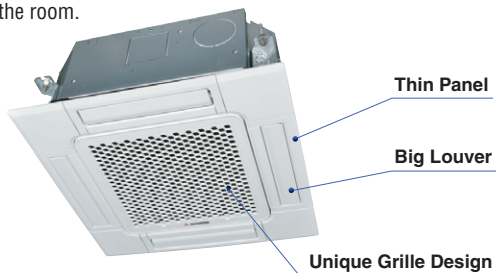
(option)

		Motion sensor		Wireless receiver		Motion sensor & Wireless receiver	
		LB-TC-5W-E		RCN-TC-5AW-E3		LB-TC-5W-E	RCN-TC-5AW-E3
 Honeycomb type	Standard Panel	TC-PSA-5AW-E	●	●		●	
	Draft Prevention Panel	TC-PSAE-5AW-E	●	●		●	
 Grid type	Standard Panel	TC-PSAG-5AW-E	●	●		●	
	Draft Prevention Panel	TC-PSAGE-5AW-E	●	●		●	

European design & Flat panel

Unique Grille Design

A grille designed with a unique structure and a clean white panel that blends with the room.



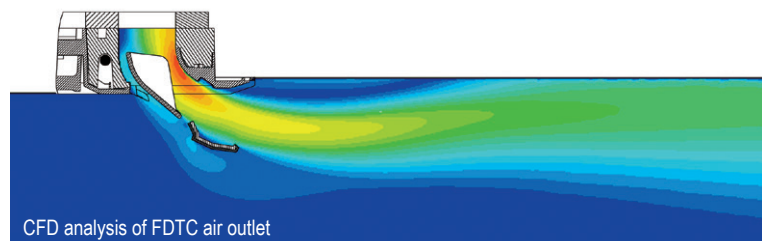
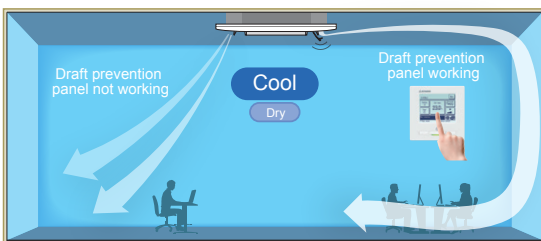
Integrated ceiling system design 600x600

Easy installation - with a weight of only 14kg, a thin panel, and a main body size of only 248mm.



Draft Prevention Panel

This prevents cold/hot draft being blown directly on the user. It is possible to set Draft Prevention Panel for each air outlet.



User can position panels by using the remote controller (RC-EX3D, Wireless kit) only when Draft Prevention Panel is available.

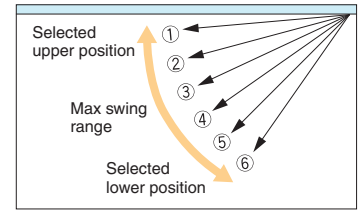
Individual flap control system

According to room temperature conditions, four directions of air flow can be controlled individually by following Flap control system. Individual flap control is available even after installation.



The flap can swing within the range of upper and lower flap position selected with wired remote control.

*The wireless remote control is not applicable to the Individual flap control system.



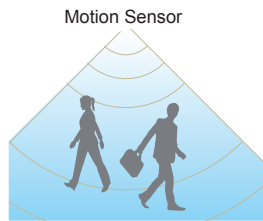
Motion Sensor

(option)

Motion sensor is equipped in the corner of the panel and detects the presence/absence and activity of humans in a room to improve the comfort and energy saving performance of the unit.

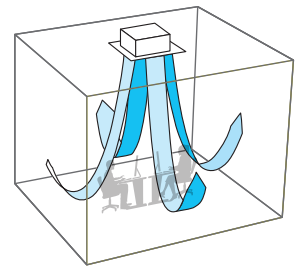


LB-TC-5W-E



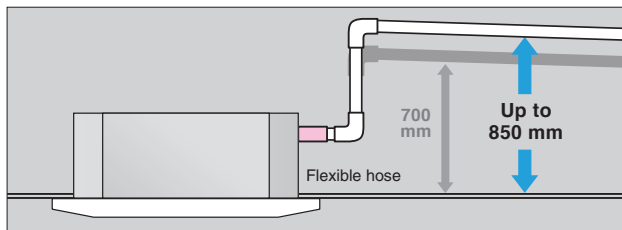
Suitable for High ceilings

The Powerful blowout carries comfortable air flow to the floor even in high ceiling applications. It is ideal for high ceiling offices, stores, etc., with a wide, uniform air flow throughout the room.



850mm Drain Pump

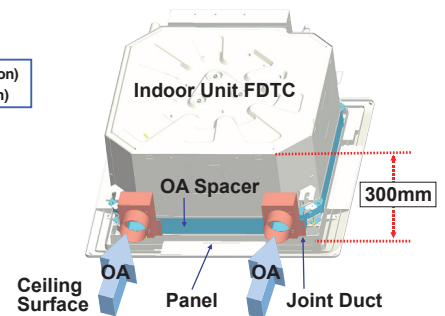
Drain can be discharged upward by 850 mm from the ceiling surface close to the indoor unit. It allows a piping layout with a high degree of freedom depending on the installation location.



Taking OA (Outside Air) into inside

Fresh air can be taken in without optional parts. When the fresh air is insufficient, optional parts can be used.

OA Spacer TC-OAS-E2(option)
Joint Duct TC-OAD-E(option)



SPECIFICATIONS

Indoor unit	FDTC		15KXZE3-W	22KXZE3-W	28KXZE3-W	36KXZE3-W	45KXZE3-W	56KXZE3-W
Power source	1 Phase 220-240V, 50Hz							
Nominal capacity	Cooling	kW	1.5	2.2	2.8	3.6	4.5	5.6
	Heating		1.7	2.5	3.2	4.0	5.0	6.3
Power consumption	Cooling	W	30-30			40-40	50-50	60-60
	Heating		30-30			40-40	50-50	60-60
Sound power level ¹	Cooling	dB(A)	47	49		54	58	60
	Heating		46	49		53	57	
Sound pressure level ¹ (P-Hi/Hi/Me/Lo)	Cooling	dB(A)	33/30/28/25	35/32/29/25		39/36/31/26	43/39/36/28	47/43/39/31
	Heating		33/30/26/22	35/32/29/25		39/36/31/26	43/39/36/28	47/43/39/31
Exterior dimensions (HeightxWidthxDepth)	Unit	mm	248x570x570					
	Panel		10x620x620					
Net weight	Unit	kg	12.5	13		14		
	Panel		Standard panel : 2.5, Draft prevention panel : 3					
Air flow (P-Hi/Hi/Me/Lo)	Cooling	m ³ / min	8/7/6/5	9/8/7/6		10/9/8/6	12/10/9/7	14/12/10/8
	Heating		8/7/6/5	9/8/7/6		10/9/8/6	12/10/9/7	14/12/10/8
Outside air intake	Possible							
Refrigerant piping size (Flare)	Liquid	mm (in)	ø6.35(1/4")					
	Gas		ø9.52(3/8")		ø12.7(1/2")			
Panel (option)	Honeycomb : TC-PSA-5AW-E, TC-PSAE-5AW-E Grid : TC-PSAG-5AW-E, TC-PSAGE-5AW-E							
Air filter, Q'ty	Pocket plastic net x 1(Washable)							

Indoor unit	FDTC		15KXZE1	22KXZE1	28KXZE1	36KXZE1	45KXZE1	56KXZE1
Power source	1 Phase 220-240V, 50Hz							
Nominal capacity	Cooling	kW	1.5	2.2	2.8	3.6	4.5	5.6
	Heating		1.7	2.5	3.2	4.0	5.0	6.3
Power consumption	Cooling	W	30-30			40-40	50-50	60-60
	Heating		30-30			40-40	50-50	60-60
Sound power level ¹	Cooling	dB(A)	47	49		54	58	60
	Heating		46	49		53	57	
Sound pressure level ¹ (P-Hi/Hi/Me/Lo)	Cooling	dB(A)	33/30/28/25	35/32/29/25		39/36/31/26	43/39/36/28	47/43/39/31
	Heating		33/30/26/22	35/32/29/25		39/36/31/26	43/39/36/28	47/43/39/31
Exterior dimensions (HeightxWidthxDepth)	Unit	mm	248x570x570					
	Panel		10x620x620					
Net weight	Unit	kg	12.5	13		14		
	Panel		Standard panel : 2.5, Draft prevention panel : 3					
Air flow (P-Hi/Hi/Me/Lo)	Cooling	m ³ / min	8/7/6/5	9/8/7/6		10/9/8/6	12/10/9/7	14/12/10/8
	Heating		8/7/6/5	9/8/7/6		10/9/8/6	12/10/9/7	14/12/10/8
Outside air intake	Possible							
Refrigerant piping size (Flare)	Liquid	mm (in)	ø6.35(1/4")					
	Gas		ø9.52(3/8")		ø12.7(1/2")			
Panel (option)	Honeycomb : TC-PSA-5AW-E, TC-PSAE-5AW-E Grid : TC-PSAG-5AW-E, TC-PSAGE-5AW-E							
Air filter, Q'ty	Pocket plastic net x 1(Washable)							

1. The data are measured under the following conditions(ISO-T1). Cooling: Indoor temp. of 27°CDB, 19°CWB, and outdoor temp. of 35°CDB. Heating: Indoor temp. of 20°CDB, and outdoor temp. of 7°CDB, 6°CWB.
2. Sound pressure level indicates the value in an anechoic chamber. During operation these values are somewhat higher due to ambient conditions.



Ceiling Cassette -2way- FDTW



FDTW28-71

New!



FDTW90-140

*R32 indoor unit are not compatible with R410A outdoor unit and vice versa.

Remote control (option)

Wired



RC-EX3D RC-E5 RCH-E3 RC-ES1

Wireless



RCN-TW-E2

R32 Leak detector and shut-off valve available as an option

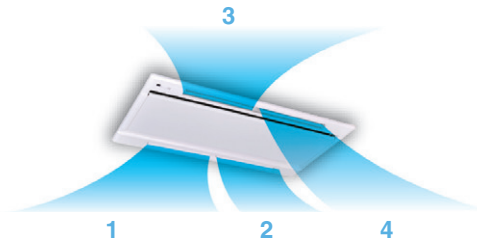
Refrigerant leak detector
RLD-KIT-E

Shut-off valve
SV-KIT-S1N-E
SV-KIT-L1N-E



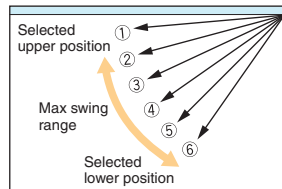
Individual flap control system

We've optimised our outlet design with advanced technology to allow you to control up to four directions of air flow. Allowing you to control air direction via the flap systems and room temperature.



The flap can swing within the range of upper and lower flap position selected with wired control.

*The wireless remote control is not applicable with the individual flap control system.

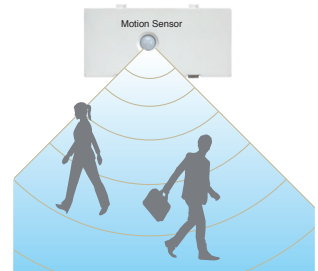


Motion Sensor

(option)

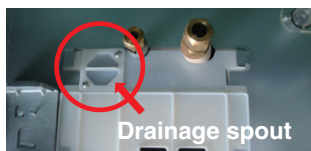
Motion sensor is equipped in the corner of the panel and detects the presence/absence and activity of humans in a room to improve the comfort and energy saving performance of the unit.

LB-TW-6W

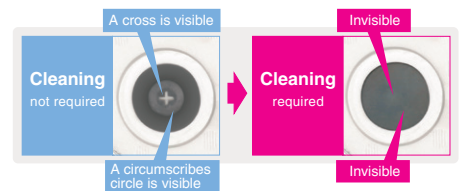


Installation workability

Drainage flow test can be done easily by use of this drainage spout.



Condition of the bottom of a drain pan can be checked through this transparent access hole without removing drain pan.



Transparent access hole to drain pan

750mm Drain Pump

The drain discharge system allows for a piping layout with a high degree of freedom (dependent on installation location). Discharge from above 750mm from a ceiling surface to the indoor unit.

SPECIFICATIONS

Indoor unit	FDTW		28KXZE3-W	45KXZE3-W	56KXZE3-W	71KXZE3-W	90KXZE3-W	112KXZE3-W	140KXZE3-W	
Power source			1 Phase 220-240V, 50Hz							
Nominal capacity	Cooling	kW	2.8	4.5	5.6	7.1	9.0	11.2	14.0	
	Heating		3.2	5.0	6.3	8.0	10.0	12.5	16.0	
Power consumption	Cooling	W	90-90	100-100		140-140	190-190			
	Heating									
Sound power level ¹	Cooling	dB(A)	57	58			63			
	Heating						62			
Sound pressure level ¹ (P-Hi/Hi/Me/Lo)	Cooling	dB(A)	42/38/34/31				48/45/41/37			
	Heating									
Exterior dimensions (HeightxWidthxDepth)	Unit	mm	325x820x620				325x1535x620			
	Panel		20x1120x680				20x1835x680			
Net weight	Unit	kg	20	21		23	35			
	Panel		8.5	8.5		8.5	13			
Air flow (P-Hi/Hi/Me/Lo)	Cooling	m ³ / min	14.5/12/10/9				31/27/23/20			
	Heating									
Outside air intake			Possible							
Refrigerant piping size (Flare)	Liquid	mm (in)	ø6.35(1/4")			ø9.52(3/8")				
	Gas		ø9.52(3/8")	ø12.7(1/2")		ø15.88(5/8")				
Panel (option)			TW-PSA-26W-E				TW-PSA-46W-E			
Air filter, Q'ty			Pocket plastic net x 2(Washable)				Pocket plastic net x 3(Washable)			

Indoor unit	FDTW		28KXE6F	45KXE6F	56KXE6F	71KXE6F	90KXE6F	112KXE6F	140KXE6F	
Power source			1 Phase 220-240V, 50Hz							
Nominal capacity	Cooling	kW	2.8	4.5	5.6	7.1	9.0	11.2	14.0	
	Heating		3.2	5.0	6.3	8.0	10.0	12.5	16.0	
Power consumption	Cooling	W	90-90	100-100		140-140	190-190			
	Heating									
Sound power level ¹	Cooling	dB(A)	58				65			
	Heating									
Sound pressure level ¹ (P-Hi/Hi/Me/Lo)	Cooling	dB(A)	42/38/34/31				48/45/41/37			
	Heating									
Exterior dimensions (HeightxWidthxDepth)	Unit	mm	325x820x620				325x1535x620			
	Panel		20x1120x680				20x1835x680			
Net weight	Unit	kg	20	21		23	35			
	Panel		8.5	8.5		8.5	13			
Air flow (P-Hi/Hi/Me/Lo)	Cooling	m ³ / min	14.5/12/10/9				31/27/23/20			
	Heating									
Outside air intake			Possible							
Refrigerant piping size (Flare)	Liquid	mm (in)	ø6.35(1/4")			ø9.52(3/8")				
	Gas		ø9.52(3/8")	ø12.7(1/2")		ø15.88(5/8")				
Panel (option)			TW-PSA-26W-E				TW-PSA-46W-E			
Air filter, Q'ty			Pocket plastic net x 2(Washable)				Pocket plastic net x 3(Washable)			

- The data are measured under the following conditions(ISO-T1). Cooling: Indoor temp. of 27°CDB, 19°CWB, and outdoor temp. of 35°CDB. Heating: Indoor temp. of 20°CDB, and outdoor temp. of 7°CDB, 6°CWB.
- Sound pressure level indicates the value in an anechoic chamber. During operation these values are somewhat higher due to ambient conditions.

Ceiling Cassette -1way- FDTS



New!

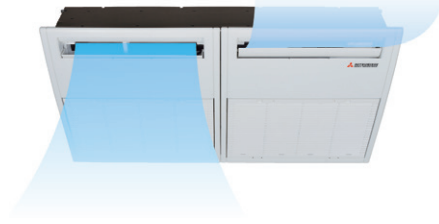


FDTS45 · 71

*R32 indoor unit are not compatible with R410A outdoor unit and vice versa.

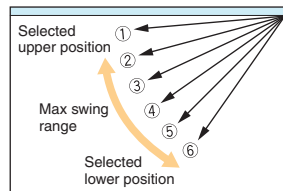
Individual flap control system

Two directions of air flow can be controlled individually by flap control system.



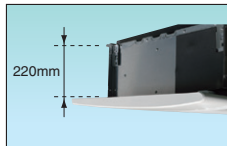
The flap can swing within the range of upper and lower flap position selected with wired control.

*The wireless remote control is not applicable with the individual flap control system.



Compact design

Indoor unit size (W:1150 x D:565) brings easy installation for 1200 x 600 ceiling and Panel size (1250 x 650) is suitable for 1200 x 600 ceiling. Height is the industry's lowest height level 220mm and weight is only 27, 28kg.



Remote control (option)

Wired



RC-EX3D



RC-E5

Wireless



RCN-TS-E2



RCH-E3



RC-ES1

R32 Leak detector and shut-off valve available as an option

Refrigerant leak detector
RLD-KIT-E

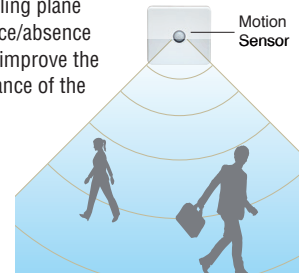


Shut-off valve
SV-KIT-S1N-E
SV-KIT-L1N-E



Motion Sensor (option)

Motion sensor is equipped in the ceiling plane or wall plane and detects the presence/absence and activity of humans in a room to improve the comfort and energy saving performance of the unit.



LB-KIT2

600mm Drain Pump

Drain can be discharged upward by 600mm from the ceiling surface close to the indoor unit. It allows a piping layout with a high degree of freedom depending on the installation location.

SPECIFICATIONS

Indoor unit		FDTS	45KXZE3-W	71KXZE3-W	45KXE6F	71KXE6F
Power source			1 Phase 220-240V, 50Hz			
Nominal capacity	Cooling	kW	4.5	7.1	4.5	7.1
	Heating		5.0	8.0	5.0	8.0
Power consumption	Cooling	W	40-40	90-90	40-40	90-90
	Heating					
Sound power level ¹	Cooling	dB(A)	52	60	60	61
	Heating					
Sound pressure level ¹ (P-Hi/Hi/Me/Lo)	Cooling	dB(A)	40/39/37/35	49/46/41/36	42/40/38/35	49/46/41/36
	Heating					
Exterior dimensions (HeightxWidthxDepth)	Unit	mm	220x1150x565			
	Panel		35x1250x650			
Net weight	Unit	kg	27	28	27	28
	Panel		5	5	5	5
Air flow (P-Hi/Hi/Me/Lo)	Cooling	m ³ / min	13/12/11/9.5	17/15/12/10	13/12/11/9.5	17/15/12/10
	Heating					
Outside air intake			Possible			
Refrigerant piping size (Flare)	Liquid	mm (in)	ø6.35(1/4")	ø9.52(3/8")	ø6.35(1/4")	ø9.52(3/8")
	Gas		ø12.7(1/2")	ø15.88(5/8")	ø12.7(1/2")	ø15.88(5/8")
Panel (option)			TS-PSA-3AW-E			
Air filter, Q'ty			Pocket plastic net x 2(Washable)			

1. The data are measured under the following conditions(SO-T1). Cooling: Indoor temp. of 27°CDB, 19°CWB, and outdoor temp. of 35°CDB. Heating: Indoor temp. of 20°CDB, and outdoor temp. of 7°CDB, 6°CWB.
2. Sound pressure level indicates the value in an anechoic chamber. During operation these values are somewhat higher due to ambient conditions.

Ceiling Cassette -1way Compact-FDTQ

New!



FDTQ22-36

R32 Leak detector and shut-off valve available as an option

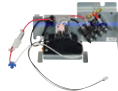
Refrigerant leak detector
RLD-KIT-E



Shut-off valve
SV-KIT-S1N-E
SV-KIT-L1N-E



For this model a relay kit (SV-RLY-E) is required to connect to the shut-off valve.



Remote control (option)

Wired



RC-EX3D



RC-E5



RCH-E3



RC-ES1

Wireless



RCN-KIT4-E2

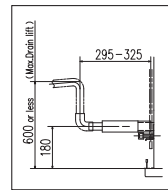
*R32 indoor unit are not compatible with R410A outdoor unit and vice versa.

Compact design

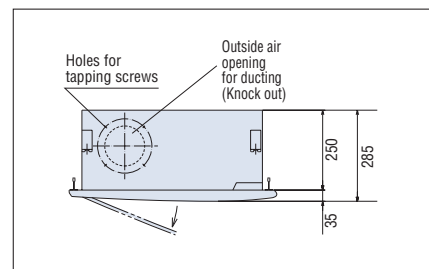
- Comfortable effective cooling for small rooms, with low fan speed air flow at just 5.4m³/min.



Optional wide panel shown for solid ceiling



- Condensate drain pump included as standard



- Ultra slim design at just 250mm above the ceiling

Motion Sensor

(option)

Motion sensor is equipped in the ceiling plane or wall plane and detects the presence/absence and activity of humans in a room to improve the comfort and energy saving performance of the unit.



LB-KIT2

SPECIFICATIONS

Indoor unit		FDTQ	22KXZE3-W	28KXZE3-W	36KXZE3-W	22KXE6F	28KXE6F	36KXE6F
Panel Name			Direct blow panel					
Panel (option)			TQ-PSA-15W-E (Short Panel)					
			TQ-PSB-15W-E (Wide Panel)					
Power source			1 Phase 220-240V, 50Hz					
Nominal capacity	Cooling	kW	2.2	2.8	3.6	2.2	2.8	3.6
	Heating		2.5	3.2	4.0	2.5	3.2	4.0
Power consumption	Cooling	W	50-70					
	Heating		50-70					
Sound power level ¹	Cooling	dB(A)	56			60		
	Heating		56			60		
Sound pressure level ¹ (P-Hi/Hi/Me/Lo)	Cooling	dB(A)	45/41/38/34			45/41/38/33		
	Heating		45/41/38/34			45/41/38/33		
Exterior dimensions (HeightxWidthxDepth)	Unit	mm	250x570x570					
	Panel		35x625x650(TQ-PSA-15W-E), 35x780x650(TQ-PSB-15W-E)					
Net weight	Unit	kg	19					
	Panel		2.5(TQ-PSA-15W-E), 3(TQ-PSB-15W-E)					
Air flow (P-Hi/Hi/Me/Lo)	Cooling	m ³ /min	8/7/6/5					
	Heating		8/7/6/5					
Outside air intake			Possible					
Refrigerant piping size (Flare)	Liquid	mm (in)	ø6.35(1/4")					
	Gas		ø9.52(3/8")	ø12.7(1/2")	ø9.52(3/8")	ø12.7(1/2")	ø9.52(3/8")	ø12.7(1/2")
Air filter, Q'ty			Pocket plastic net x 1(Washable)					

1. The data are measured under the following conditions(ISO-T1). Cooling: Indoor temp. of 27°CDB, 19°CWB, and outdoor temp. of 35°CDB. Heating: Indoor temp. of 20°CDB, and outdoor temp. of 7°CDB, 6°CWB.
2. Sound pressure level indicates the value in an anechoic chamber. During operation these values are somewhat higher due to ambient conditions.

Duct Connected -High Static Pressure- FDU



New!



FDU45-160

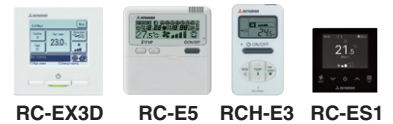


FDU224 · 280

*R32 indoor unit are not compatible with R410A outdoor unit and vice versa.

Remote control (option)

Wired



Wireless



RCN-KIT4-E2

R32 Leak detector and shut-off valve available as an option

Refrigerant leak detector
RLD-KIT-E

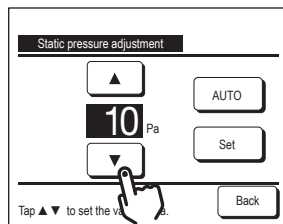
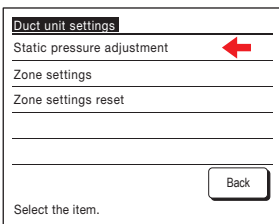
Shut-off valve
SV-KIT-S1N-E
SV-KIT-L1N-E



Static pressure could be adjusted via the remote control



The static pressure of the air duct could simply be adjusted via the remote control thereby work above the ceiling to adjust is no longer required.



Thin design

The height of FDU (45-160) models are only 280mm

280mm



Transparent inspection window

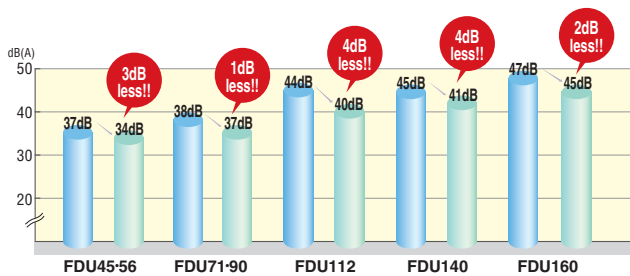
Dirt condition of the bottom of the drain pan can be checked through this transparent inspection window without removing drain pan. (Please refer to P80)

Improvement of the serviceability

Fan unit (impeller and motor) can be pulled out from the right side of the unit. Maintenance can be carried out from the right side or the bottom side of the unit.

Reduction of sound pressure level

■ Previous (R410A) ■ Current (R32) (P-Hi cooling mode)



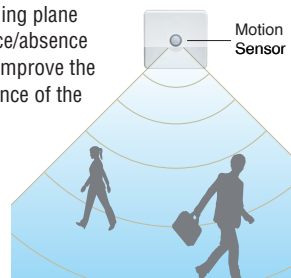
Motion Sensor

(option)

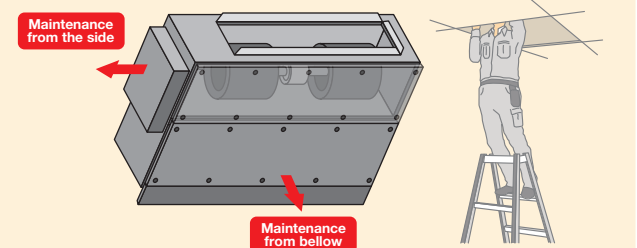
Motion sensor is equipped in the ceiling plane and detects the presence/absence and activity of humans in a room to improve the comfort and energy saving performance of the unit.



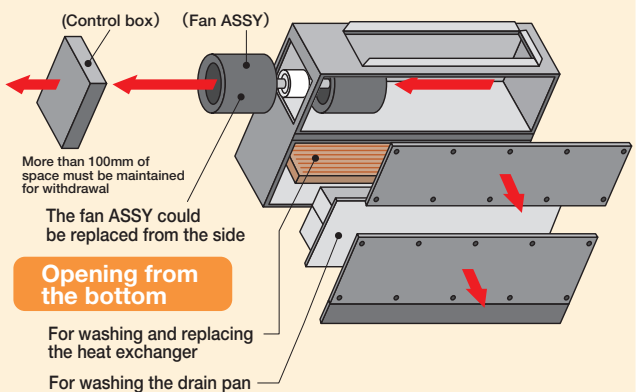
LB-KIT2



Unit image



Opening from the side



SPECIFICATIONS

Indoor unit		FDU	45KXE3-W	56KXE3-W	71KXE3-W	90KXE3-W	112KXE3-W	140KXE3-W	160KXE3-W	224KXE3-W	280KXE3-W
Power source		1 Phase 220-240V, 50Hz									
Nominal capacity	Cooling	kW	4.5	5.6	7.1	9.0	11.2	14.0	16.0	22.4	28.0
	Heating		5.0	6.3	8.0	10.0	12.5	16.0	18.0	25.0	31.5
Power consumption	Cooling	W	100-100		240-250		310-320	350-360	420-430	1.160-1.200	
	Heating										
Sound power level ¹	Cooling	dB(A)	58		63		68		72	78	
	Heating		60		65		69				
Sound pressure level ¹ (P-Hi/Hi/Me/Lo)	Cooling	dB(A)	34/29/27/25		37/31/27/22		40/36/34/28	41/37/34/28	45/38/34/29	52/50/47/44	
	Heating		35/30/29/25		39/33/28/23		41/36/34/28				
Exterior dimensions (HxWxD)		mm	280x750x635		280x950x635		280x1368x738			379x1600x893	
Net weight		kg	29		34		54			89	
Air flow (P-Hi/Hi/Me/Lo)	Cooling	m ³ /min	13/10/9/8		24/19/15/10		36/28/25/19	39/32/26/20	48/35/28/22	80/72/64/56	
	Heating										
Available static pressure		Pa	200								
Outside air intake		Possible									
Refrigerant piping size	Liquid	mm (in)	ø6.35(1/4") (Flare)			ø9.52(3/8") (Flare)			ø9.52(3/8") (Brazing)		
	Gas		ø12.7(1/2") (Flare)			ø15.88(5/8") (Flare)			ø19.05(3/4") (Brazing)		ø22.22(7/8") (Brazing)
Air filter, Q'ty		Procure locally									

Indoor unit		FDU	45KXE6F	56KXE6F	71KXE6F	90KXE6F	112KXE6F	140KXE6F	160KXE6F	224KXE1	280KXE1
Power source		1 Phase 220-240V, 50Hz									
Nominal capacity	Cooling	kW	4.5	5.6	7.1	9.0	11.2	14.0	16.0	22.4	28.0
	Heating		5.0	6.3	8.0	10.0	12.5	16.0	18.0	25.0	31.5
Power consumption	Cooling	W	100-100		240-250		310-320	350-360	420-430	1.160-1.200	
	Heating										
Sound power level ¹	Cooling	dB(A)	60		65		71	72	74	75	
	Heating										
Sound pressure level ¹ (P-Hi/Hi/Me/Lo)	Cooling	dB(A)	37/32/29/26		38/33/29/25		44/38/36/30	45/40/34/29	47/40/35/30	52/50/47/45	
	Heating										
Exterior dimensions (HxWxD)		mm	280x750x635		280x950x635		280x1368x740			379x1600x893	
Net weight		kg	29		34		54			89	
Air flow (P-Hi/Hi/Me/Lo)	Cooling	m ³ /min	13/10/9/8		24/19/15/10		36/28/25/19	39/32/26/20	48/35/28/22	80/72/64/56	
	Heating										
Available static pressure		Pa	200								
Outside air intake		Possible									
Refrigerant piping size	Liquid	mm (in)	ø6.35(1/4") (Flare)			ø9.52(3/8") (Flare)			ø9.52(3/8") (Brazing)		
	Gas		ø12.7(1/2") (Flare)			ø15.88(5/8") (Flare)			ø19.05(3/4") (Brazing)		ø22.22(7/8") (Brazing)
Air filter, Q'ty		Procure locally									

- The data are measured under the following conditions (ISO-T1). Cooling: Indoor temp. of 27°CDB, 19°CWB, and outdoor temp. of 35°CDB. Heating: Indoor temp. of 20°CDB, and outdoor temp. of 7°CDB, 6°CWB.
- Sound pressure level indicates the value in an anechoic chamber. During operation these values are somewhat higher due to ambient conditions.

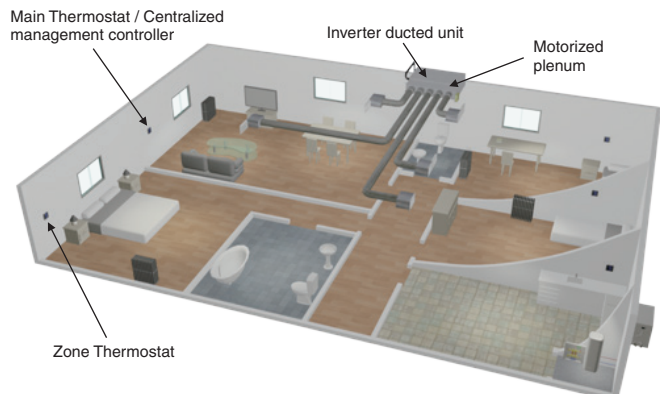
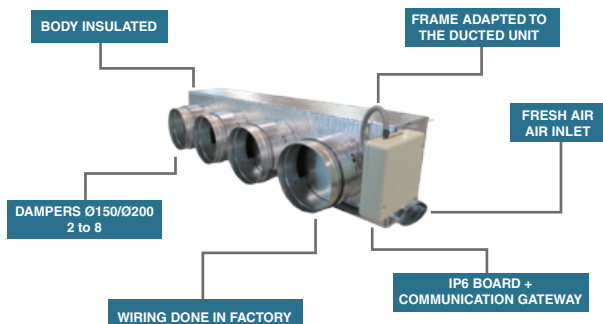
Round duct adapter (Available for FDU 45–160, FDUM 22–160)

Company: AIRZONE
URL: <http://www.airzone.es>

All-in-one solution: the whole zoning system in a plug&play device perfectly adapted to the indoor DX unit



Main components



Duct Connected -Low/Middle Static Pressure- FDUM



New!



FDUM22-160



*Filter pressure loss:5Pa

Filter kit (option)

- UM-FL1EF : for 22-56
- UM-FL2EF : for 71, 90
- UM-FL3EF : for 112, 140, 160

Remote control (option)

Wired



RC-EX3D RC-E5 RCH-E3 RC-ES1

Wireless

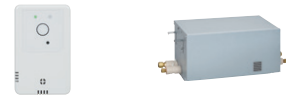


RCN-KIT4-E2

R32 Leak detector and shut-off valve available as an option

Refrigerant leak detector
RLD-KIT-E

Shut-off valve
SV-KIT-S1N-E
SV-KIT-L1N-E

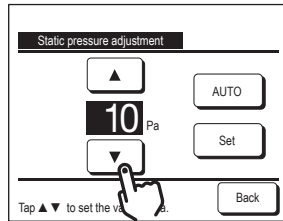
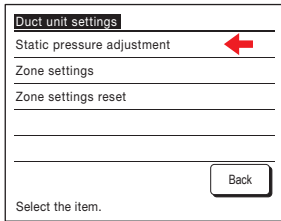


*R32 indoor unit are not compatible with R410A outdoor unit and vice versa.

Static pressure could be adjusted via the remote control



The static pressure of the air duct could simply be adjusted via the remote control thereby work above the ceiling to adjust is no longer required.



Thin design

The height of all FDUM models only 280mm



Transparent inspection window

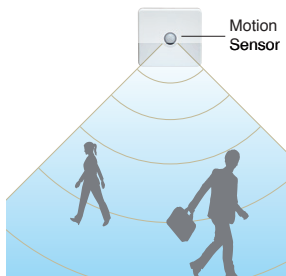
Dirt condition of the bottom of the drain pan can be checked through this transparent inspection window without removing drain pan. (Please refer to P80)

Motion Sensor (option)

Motion sensor is equipped in the ceiling plane or wall plane and detects the presence/absence and activity of humans in a room to improve the comfort and energy saving performance of the unit.



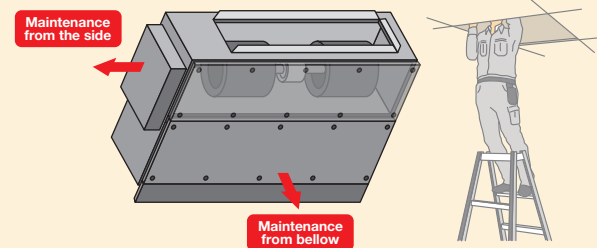
LB-KIT2



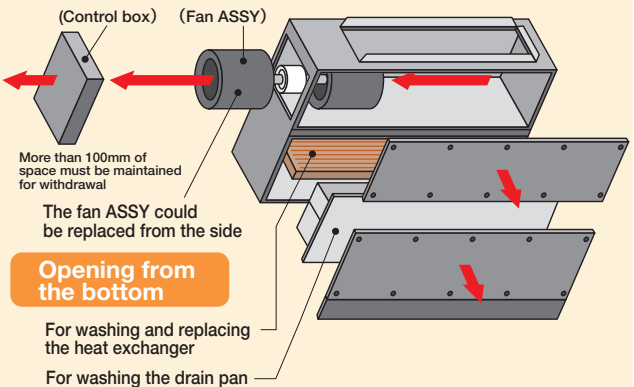
Improvement of the serviceability

Fan unit (impeller and motor) can be pulled out from the right side of the unit. Maintenance can be carried out from the right side or the bottom side of the unit.

Unit image



Opening from the side



Round duct adapter

In case of requirements of round duct adapter, please refer to P85.

Company AIRZONE
URL <http://www.airzone.es>

SPECIFICATIONS

Indoor unit	FDUM		22KXZE3-W	28KXZE3-W	36KXZE3-W	45KXZE3-W	56KXZE3-W	71KXZE3-W	90KXZE3-W	112KXZE3-W	140KXZE3-W	160KXZE3-W	
Power source			1 Phase 220-240V, 50Hz										
Nominal capacity	Cooling	kW	2.2	2.8	3.6	4.5	5.6	7.1	9.0	11.2	14.0	16.0	
	Heating		2.5	3.2	4.0	5.0	6.3	8.0	10.0	12.5	16.0	18.0	
Power consumption	Cooling	W	80-80				160-160			250-250	260-260	380-380	
	Heating		80-80				160-160			250-250	260-260	380-380	
Sound power level ¹	Cooling	dB(A)	57			58			63		68		72
	Heating		60			60			65		69		
Sound pressure level ¹ (P-Hi/Hi/Me/Lo)	Cooling	dB(A)	33/27/25/23			34/29/27/25			37/31/27/22		40/36/34/28		45/38/34/29
	Heating		36/30/29/25			35/30/29/25			39/33/28/23		41/36/34/28		
Exterior dimensions (HxWxD)		mm	280x750x635				280x950x635			280x1368x738			
Net weight		kg	29				34			54			
Air flow (P-Hi/Hi/Me/Lo)	Cooling	m ³ /min	13/10/9/8				24/19/15/10			36/28/25/19	39/32/26/20	48/35/28/22	
	Heating		13/10/9/8				24/19/15/10			36/28/25/19	39/32/26/20	48/35/28/22	
Available static pressure		Pa	100										
Outside air intake			Possible										
Refrigerant piping size (Flare)	Liquid	mm (in)	ø6.35(1/4")				ø9.52(3/8")			ø15.88(5/8")			
	Gas		ø9.52(3/8")				ø12.7(1/2")			ø15.88(5/8")			
Air filter (option)			UM-FL1EF				UM-FL2EF			UM-FL3EF			

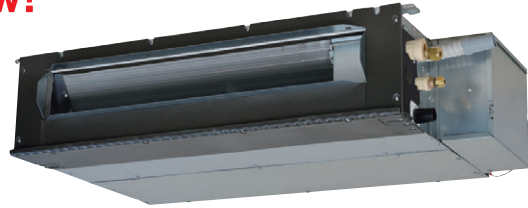
Indoor unit	FDUM		22KXE6F	28KXE6F	36KXE6F	45KXE6F	56KXE6F	71KXE6F	90KXE6F	112KXE6F	140KXE6F	160KXE6F	
Power source			1 Phase 220-240V, 50Hz										
Nominal capacity	Cooling	kW	2.2	2.8	3.6	4.5	5.6	7.1	9.0	11.2	14.0	16.0	
	Heating		2.5	3.2	4.0	5.0	6.3	8.0	10.0	12.5	16.0	18.0	
Power consumption	Cooling	W	100-100				200-200			290-290	330-330	450-450	
	Heating		100-100				200-200			290-290	330-330	450-450	
Sound power level ¹	Cooling	dB(A)	60				65			71	72	74	
	Heating		60				65			71	72	74	
Sound pressure level ¹ (P-Hi/Hi/Me/Lo)	Cooling	dB(A)	37/32/29/26				38/33/29/25			44/38/36/30	45/40/34/29	47/40/35/30	
	Heating		37/32/29/26				38/33/29/25			44/38/36/30	45/40/34/29	47/40/35/30	
Exterior dimensions (HxWxD)		mm	280x750x635				280x950x635			280x1368x740			
Net weight		kg	29				34			54			
Air flow (P-Hi/Hi/Me/Lo)	Cooling	m ³ /min	13/10/9/8				24/19/15/10			36/28/25/19	39/32/26/20	48/35/28/22	
	Heating		13/10/9/8				24/19/15/10			36/28/25/19	39/32/26/20	48/35/28/22	
Available static pressure		Pa	100										
Outside air intake			Possible										
Refrigerant piping size (Flare)	Liquid	mm (in)	ø6.35(1/4")				ø9.52(3/8")			ø15.88(5/8")			
	Gas		ø9.52(3/8")				ø12.7(1/2")			ø15.88(5/8")			
Air filter (option)			UM-FL1EF				UM-FL2EF			UM-FL3EF			

- The data are measured under the following conditions (ISO-T1). Cooling: Indoor temp. of 27°CDB, 19°CWB, and outdoor temp. of 35°CDB. Heating: Indoor temp. of 20°CDB, and outdoor temp. of 7°CDB, 6°CWB.
- Sound pressure level indicates the value in an anechoic chamber. During operation these values are somewhat higher due to ambient conditions.

Duct Connected (thin) -Low Static Pressure- FDUT



New!



FDUT15-71

Remote control (option)

Wired



RC-EX3D RC-E5 RCH-E3 RC-ES1

Wireless



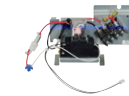
RCN-KIT4-E2

R32 Leak detector and shut-off valve available as an option

Refrigerant leak detector
RLD-KIT-E

Shut-off valve
SV-KIT-S1N-E
SV-KIT-L1N-E

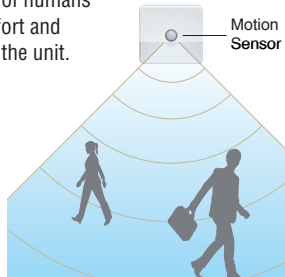
For this model a relay kit (SV-RLY-E) is required to connect to the shut-off valve.



*R32 indoor unit are not compatible with R410A outdoor unit and vice versa.

Motion Sensor (option)

Motion sensor is equipped in the ceiling plane or wall plane and detects the presence/absence and activity of humans in a room to improve the comfort and energy saving performance of the unit.

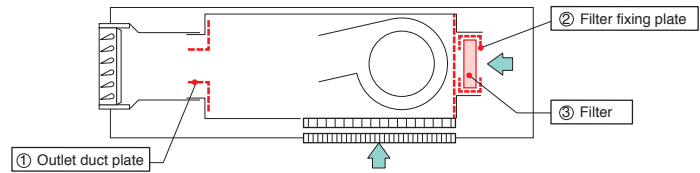


LB-KIT2

Filter kit (option)

Item	Contents	for FDUT15/22/28/36	for FDUT45/56	for FDUT71
Outlet duct plate	①	UT-SAT1EF	UT-SAT2EF	UT-SAT3EF
Filter set	②+③	UT-FL1EF	UT-FL2EF	UT-FL3EF

Filter pressure loss : 5 Pa



SPECIFICATIONS

Indoor unit		FDUT	15KXZE3-W	22KXZE3-W	28KXZE3-W	36KXZE3-W	45KXZE3-W	56KXZE3-W	71KXZE3-W	
Power source			1 Phase 220-240V, 50Hz							
Nominal capacity	Cooling	kW	1.5	2.2	2.8	3.6	4.5	5.6	7.1	
	Heating	kW	1.7	2.5	3.2	4.0	5.0	6.0	8.0	
Power consumption	Cooling	W	57-58	63-66		67-70	75-78	76-80	80-80	
	Heating	W		65-67		70-72	72-76	73-78	70-70	
Sound power level ^{*1}	Cooling	dB(A)	52	52		54	54	55	56	
	Heating	dB(A)	51	52		55	54	55	57	
Sound pressure level ^{*1} (Hi/Me/Lo)	Cooling	dB(A)	28/26/21	28/26/22		30/28/24	30/26/24	31/27/24	32/28/27	
	Heating	dB(A)	28/25/20	28/26/22		31/29/25	30/27/25	31/28/26	32/28/26	
Sound pressure level ^{*2} (Hi/Me/Lo)	Cooling	dB(A)	32/29/25	32/29/25		37/34/28	36/33/27	38/33/29	41/37/32	
	Heating	dB(A)		32/29/25		37/34/28	36/33/27	38/33/29	41/37/32	
Exterior dimensions (HxWxD)		mm	200x750x500				200x950x500		220x1150x565	
Net weight		kg	22	21		22	25		31	
Air flow (Hi/Me/Lo)	Cooling	m ³ /min	6/5/4	7.5/6/5		8.5/7/5.5	11.5/9/7	12.5/9/7.2	16/13/9.5	
	Heating	m ³ /min		7.5/6/5		8.5/7/5.5	11.5/9/7	12.5/9/7.2	16/13/9.5	
External static pressure		Pa	Standard : 10 Max : 35				Standard : 10 Max : 50			
Outside air intake			Possible							
Refrigerant piping size (Flare)	Liquid	mm	ø6.35(1/4")						ø9.52(3/8")	
	Gas	(in)	ø9.52(3/8")			ø12.7(1/2")			ø15.88(5/8")	
Air filter (option)			UT-FL1EF			UT-FL2EF		UT-FL3EF		

- The data are measured under the following conditions (ISO-T1). Cooling: Indoor temp. of 27°CDB, 19°CWB, and outdoor temp. of 35°CDB. Heating: Indoor temp. of 20°CDB, and outdoor temp. of 7°CDB, 6°CWB.
- The data of nominal cooling and heating capacity and sound pressure level are measured with 10Pa of external static pressure.
- The sound level indicates the value of rear-intake type with duct in anechoic chamber. During operation these values are somewhat higher due to ambient conditions.
- Sound Pressure Level shows the value when the supply duct of 2m and the return duct of 1m (except the Bottom air return) are connected to the unit. Sound pressure level *1: Mike position is 1.5m below the unit, *2: Mike position is 1m in front and 1m below of the air supply duct.

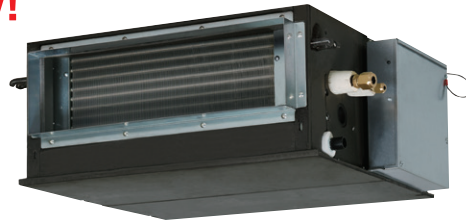
Indoor unit	FDUT		15KXE6F-E	22KXE6F-E	28KXE6F-E	36KXE6F-E	45KXE6F-E	56KXE6F-E	71KXE6F-E	
Power source			1 Phase 220-240V, 50Hz							
Nominal capacity	Cooling	kW	1.5	2.2	2.8	3.6	4.5	5.6	7.1	
	Heating		1.7	2.5	3.2	4.0	5.0	6.0	8.0	
Power consumption	Cooling	W	60-60	70-70			80-80		80-80	
	Heating								70-70	
Sound power level ¹	Cooling	dB(A)	52			57	58	59		
	Heating		52			57	58	59		
Sound pressure level ¹ (Hi/Me/Lo)	Cooling	dB(A)	28/26/22			33/30/26	34/32/28	35/33/30	35/31/28	
	Heating		28/26/22			33/30/26	34/32/28	35/33/30	35/31/28	
Sound pressure level ² (Hi/Me/Lo)	Cooling	dB(A)	32/29/25			37/34/28	36/33/27	38/33/29	41/37/32	
	Heating		32/29/25			37/34/28	36/33/27	38/33/29	41/37/32	
Exterior dimensions (HxWxD)		mm	200x750x500				200x950x500		220x1150x565	
Net weight		kg	22	21		22	25		31	
Air flow (Hi/Me/Lo)	Cooling	m ³ /min	6/5/4	7.5/6/5		8.5/7/5.5	11.5/9/7	12.5/9/7.2	16/13/9.5	
	Heating									
External static pressure		Pa	Standard : 10 Max : 35				Standard : 10 Max : 50			
Outside air intake			Possible							
Refrigerant piping size (Flare)	Liquid	mm (in)	ø6.35(1/4")						ø9.52(3/8")	
	Gas		ø9.52(3/8")			ø12.7(1/2")			ø15.88(5/8")	
Air filter (option)			UT-FL1EF			UT-FL2EF		UT-FL3EF		

- The data are measured under the following conditions(ISO-T1). Cooling: Indoor temp. of 27°CDB, 19°CWB, and outdoor temp. of 35°CDB. Heating: Indoor temp. of 20°CDB, and outdoor temp. of 7°CDB, 6°CWB.
 - The data of nominal cooling and heating capacity and sound pressure level are measured with 10Pa of external static pressure.
 - The sound level indicates the value of rear-intake type with duct in anechoic chamber. During operation these values are somewhat higher due to ambient conditions.
 - Sound Pressure Level shows the value when the supply duct of 2m and the return duct of 1m (except the Bottom air return) are connected the unit.
- Sound pressure level *1:Mike position is 1.5m below the unit, *2:Mike position is 1m in front and 1m below od the air supply duct.

Duct Connected (Compact & Flexible)

FDUH

New!



FDUH22-36

Filter kit (option) UH-FL1E



*Filter pressure loss:5Pa

Drain up kit (option) (600mm) UH-DU-E



R32 Leak detector and shut-off valve available as an option

Refrigerant leak detector
RLD-KIT-E



Shut-off valve
SV-KIT-S1N-E
SV-KIT-L1N-E



Remote control (option)

Wired



RC-EX3D RC-E5 RCH-E3 RC-ES1

Wireless



RCN-KIT4-E2

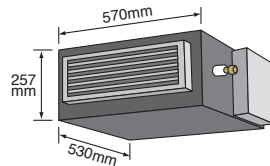
For this model a relay kit (SV-RLY-E) is required to connect to the shut-off valve.



*R32 indoor unit are not compatible with R410A outdoor unit and vice versa.

Compact and thin size, light weight

Our leading high technology has created the best solution for air-conditioning in hotels. The compact and thin sized units don't compromise on high energy efficiency all while weighing in at only 20kg. The lowest sound level in the industry can ensure comfortable stay and rest in hotels.



Motion Sensor (option)

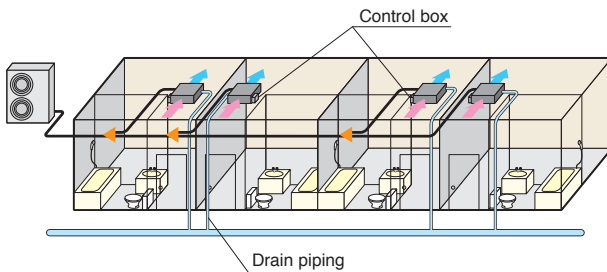
Motion sensor is equipped in the ceiling plane or wall plane and detects the presence/absence and activity of humans in a room to improve the comfort and energy saving performance of the unit.



LB-KIT2

Installation Flexibility

Control box and drain piping can be installed on both side of the unit and air intake to the unit is available from bottom or back side. Our highest technology can satisfy diverse installation requirements.



RS-ES1 (option)

- Simple and sophisticated design
- Compact size (86x86mm)
- Remote control with Bluetooth® wireless technology

The Bluetooth® word mark and logos are registered trademarks owned by Bluetooth SIG, Inc. and any use of such marks by MITSUBISHI HEAVY INDUSTRIES THERMAL SYSTEMS, LTD. is under license.

SPECIFICATIONS

Indoor unit		FDUH	22KXZE3-W	28KXZE3-W	36KXZE3-W	22KXE6F	28KXE6F	36KXE6F
Power source			1 Phase 220-240V, 50Hz					
Nominal capacity	Cooling	kW	2.2	2.8	3.6	2.2	2.8	3.6
	Heating		2.5	3.2	4.0	2.5	3.2	4.0
Power consumption	Cooling	W	50-70					
	Heating		50-70					
Sound power level ¹	Cooling	dB(A)	58			60		
	Heating		58			60		
Sound pressure level ¹ (P-Hi/Hi/Me/Lo)	Cooling	dB(A)	36/33/30/27			39/33/30/27		
	Heating		36/33/30/27			39/33/30/27		
Exterior dimensions (HxWxD)		mm	256x550x525			257x570x530		
Net weight		kg	19			20		
Air flow (P-Hi/Hi/Me/Lo)	Cooling	m ³ /min	8.5/7/6.5/6					
	Heating		8.5/7/6.5/6					
Static pressure		Pa	30					
Outside air intake			Not possible					
Refrigerant piping size (Flare)	Liquid	mm (in)	ø6.35(1/4")					
	Gas		ø9.52(3/8")		ø12.7(1/2")		ø9.52(3/8")	
Air filter (option)			UH-FL1E					

1. The data are measured under the following conditions(SO-T1). Cooling: Indoor temp. of 27°CDB, 19°CWB, and outdoor temp. of 35°CDB. Heating: Indoor temp. of 20°CDB, and outdoor temp. of 7°CDB, 6°CWB.
2. Sound pressure level indicates the value in an anechoic chamber. During operation these values are somewhat higher due to ambient conditions.

Wall Mounted FDK



New!



FDK15-56



FDK71-90

Remote control (option)

Wired



RC-EX3D RC-E5 RCH-E3 RC-ES1

Wireless



RCN-K-E2: FDK15-56
RCN-K71-E2: FDK71-90

R32 Leak detector and shut-off valve available as an option

Refrigerant leak detector
RLD-KIT-E

Shut-off valve
SV-KIT-S1N-E
SV-KIT-L1N-E



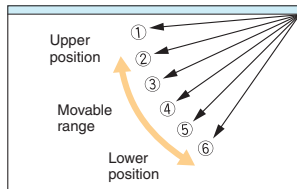
*R32 indoor unit are not compatible with R410A outdoor unit and vice versa.

Elegant Timeless Design

The FDK series air-conditioners are innovatively designed with rounded contours that beautifully fit into any of Europe's diverse interior settings. Created by an Italian industrial design studio based in Milan, Tensa srl, the design meets a broad range of requirements. (FDK15-56)

Flap control system

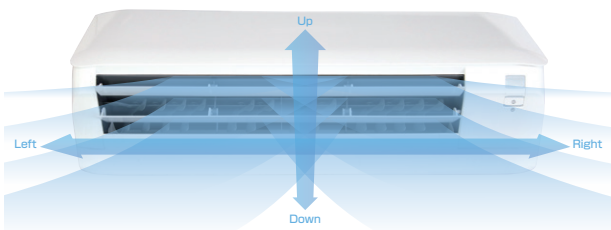
Selection of flap position is possible. A flap can be set at different angles.



*The wireless remote control is not applicable to the flap control system.

Lateral Swing ▶ flap swings from right to left automatically

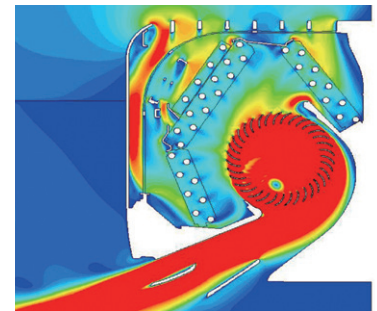
Up/Down Flap swing + Lateral swing



Jet Technology

FDK models adopt the air flow design that's proven to minimise resistance in a CFD analysis to achieve uniform air-conditioning to the furthest corners of the room.

Fast ← → Slow
Colours in the figure show the air speed.



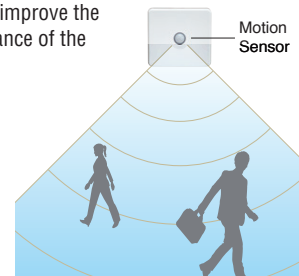
Motion Sensor

(option)

Motion sensor is equipped in the ceiling plane or wall plane and detects the presence/absence and activity of humans in a room to improve the comfort and energy saving performance of the unit.



LB-KIT2



■ SPECIFICATIONS

Indoor unit		FDK	15KXZE3-W	22KXZE3-W	28KXZE3-W	36KXZE3-W	45KXZE3-W	56KXZE3-W	71KXZE3-W	90KXZE3-W
Power source		1 Phase 220-240V, 50Hz								
Nominal capacity	Cooling	kW	1.5	2.2	2.8	3.6	4.5	5.6	7.1	9.0
	Heating		1.7	2.5	3.2	4.0	5.0	6.3	8.0	10.0
Power consumption	Cooling	W	20-20			30-30			40-40	50-50
	Heating									
Sound power level ¹⁾	Cooling	dB(A)	54	55		58		58	59	61
	Heating									
Sound pressure level ¹⁾ (P-Hi/Hi/Me/Lo)	Cooling	dB(A)	38/34/31/28	38/36/30/27		40/38/33/28	43/41/36/33	43/41/36/33	42/40/37/35	44/42/39/35
	Heating							44/42/37/33		
Exterior dimensions (HxWxD)		mm	290x870x230						339x1197x262	
Net weight		kg	11.5	11		11.5			17	
Air flow (P-Hi/Hi/Me/Lo)	Cooling	m ³ /min	5.7/5/4.5/3.6	8.5/8/6/5		11/10/8/7	12/11/9/8	12/11/9/8	21/19/16/14	23/21/19/16
	Heating							13/12/10/8		
Outside air intake		Not possible								
Refrigerant piping size (Flare)	Liquid	mm (in)	ø6.35(1/4")						ø9.52(3/8")	
	Gas		ø9.52(3/8")			ø12.7(1/2")			ø15.88(5/8")	
Air filter, Q'ty		Polypropylene net x2 (Washable)								

Indoor unit		FDK	15KXZE1	22KXZE1	28KXZE1	36KXZE1	45KXZE1	56KXZE1	71KXZE1	90KXZE1
Power source		1 Phase 220-240V, 50Hz								
Nominal capacity	Cooling	kW	1.5	2.2	2.8	3.6	4.5	5.6	7.1	9.0
	Heating		1.7	2.5	3.2	4.0	5.0	6.3	8.0	10.0
Power consumption	Cooling	W	20-20			30-30			40-40	50-50
	Heating									
Sound power level ¹⁾	Cooling	dB(A)	54	55		58		58	59	61
	Heating									
Sound pressure level ¹⁾ (P-Hi/Hi/Me/Lo)	Cooling	dB(A)	38/34/31/28	38/36/32/28		40/38/33/28	43/41/36/33	43/41/36/33	42/40/37/35	44/42/39/35
	Heating							44/42/37/33		
Exterior dimensions (HxWxD)		mm	290x870x230						339x1197x262	
Net weight		kg	11.5	11		11.5			17	
Air flow (P-Hi/Hi/Me/Lo)	Cooling	m ³ /min	5.7/5/4.5/3.6	8.5/8/6/5		11/10/8/7	12/11/9/8	12/11/9/8	21/19/16/14	23/21/19/16
	Heating							13/12/10/8		
Outside air intake		Not possible								
Refrigerant piping size (Flare)	Liquid	mm (in)	ø6.35(1/4")						ø9.52(3/8")	
	Gas		ø9.52(3/8")			ø12.7(1/2")			ø15.88(5/8")	
Air filter, Q'ty		Polypropylene net x2 (Washable)								

- The data are measured under the following conditions (ISO-T1). Cooling: Indoor temp. of 27°CDB, 19°CWB, and outdoor temp. of 35°CDB. Heating: Indoor temp. of 20°CDB, and outdoor temp. of 7°CDB, 6°CWB.
- Sound pressure level indicates the value in an anechoic chamber. During operation these values are somewhat higher due to ambient conditions.

Ceiling Suspended FDE

New!



FDE36-140

*R32 indoor unit are not compatible with R410A outdoor unit and vice versa.

Remote control (option)

Wired



RC-EX3D RC-E5 RCH-E3 RC-ES1

Wireless



RCN-E-E3

R32 Leak detector and shut-off valve available as an option

Refrigerant leak detector
RLD-KIT-E

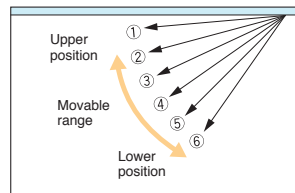
Shut-off valve
SV-KIT-S1N-E
SV-KIT-L1N-E



Flap control system

Selection of flap position is possible.
A flap can be set at different angles.

*The wireless remote control is not applicable to the flap control system.



Motion Sensor (option)

By detecting presence or absence of human activity in a room, the motion sensor improves room comfort and unit energy saving performance.



LB-E

SPECIFICATIONS

Indoor unit	FDE	36KXZE3-W	45KXZE3-W	56KXZE3-W	71KXZE3-W	112KXZE3-W	140KXZE3-W
Power source		1 Phase 220-240V, 50Hz					
Nominal capacity	Cooling	3.6	4.5	5.6	7.1	11.2	14.0
	Heating	4.0	5.0	6.3	8.0	12.5	16.0
Power consumption	Cooling	50-50			70-70	100-100	130-130
	Heating	50-50			70-70	100-100	130-130
Sound power level ¹	Cooling	59	59	59	61	61	64
	Heating	60	60	60	61	61	64
Sound pressure level ¹ (P-Hi/Hi/Me/Lo)	Cooling	45/38/31/26	45/38/36/31		46/39/37/32	45/42/38/34	48/43/40/35
	Heating	45/38/31/26	45/38/36/31		46/39/37/32	45/42/38/34	48/43/40/35
Exterior dimensions (HxWxD)	mm	210x1070x690			210x1320x690	250x1620x690	
Net weight	kg	28			35	43	
Air flow (P-Hi/Hi/Me/Lo)	Cooling	13/10/7/5.5	13/10/9/7		20/15/13/10	28/25/21/16.5	32/26/23/17
	Heating	13/10/7/5.5	13/10/9/7		20/15/13/10	28/25/21/16.5	32/26/23/17
Outside air intake	Not possible						
Refrigerant piping size (Flare)	Liquid	ø6.35(1/4")			ø9.52(3/8")		
	Gas	ø12.7(1/2")			ø15.88(5/8")		
Air filter, Q'ty	Pocket Plastic net x2 (Washable)						

Indoor unit	FDE	36KXZE1	45KXZE1	56KXZE1	71KXZE1	112KXZE1	140KXZE1
Power source		1 Phase 220-240V, 50Hz					
Nominal capacity	Cooling	3.6	4.5	5.6	7.1	11.2	14.0
	Heating	4.0	5.0	6.3	8.0	12.5	16.0
Power consumption	Cooling	50-50			70-70	100-100	130-130
	Heating	50-50			70-70	100-100	130-130
Sound power level ¹	Cooling	60			62	61	64
	Heating	60			62	61	64
Sound pressure level ¹ (P-Hi/Hi/Me/Lo)	Cooling	46/38/31/26	46/38/36/31		47/39/37/32	45/42/38/34	48/43/40/35
	Heating	46/38/31/26	46/38/36/31		47/39/37/32	45/42/38/34	48/43/40/35
Exterior dimensions (HxWxD)	mm	210x1070x690			210x1320x690	250x1620x690	
Net weight	kg	28			33	43	
Air flow (P-Hi/Hi/Me/Lo)	Cooling	13/10/7/5.5	13/10/9/7		20/15/13/10	28/25/21/16.5	32/26/23/17
	Heating	13/10/7/5.5	13/10/9/7		20/15/13/10	28/25/21/16.5	32/26/23/17
Outside air intake	Not possible						
Refrigerant piping size (Flare)	Liquid	ø6.35(1/4")			ø9.52(3/8")		
	Gas	ø12.7(1/2")			ø15.88(5/8")		
Air filter, Q'ty	Pocket Plastic net x2 (Washable)						

1. The data are measured under the following conditions (ISO-T1). Cooling: Indoor temp. of 27°CDB, 19°CWB, and outdoor temp. of 35°CDB. Heating: Indoor temp. of 20°CDB, and outdoor temp. of 7°CDB, 6°CWB.
2. Sound pressure level indicates the value in an anechoic chamber. During operation these values are somewhat higher due to ambient conditions.

Floor Standing -2way- FDFW



FDFW28-56

Auto air outlet selection



Remote control (option)

Wired



RC-EX3D



RC-E5

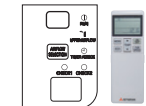


RCH-E3



RC-ES1

Wireless



RCN-FW-E2

Sophisticated Design

With an elegant semi flat front panel in stylish white, the new series fit in various kinds of rooms and create relaxing atmosphere. Choice of wall hanging, floor standing or behind gallery installation is available.

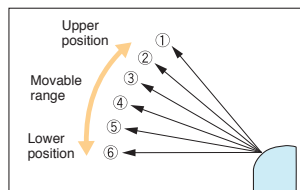
Quiet Operation

Thanks to the optimum balance of air outlet direction and sufficient air flow volume, the sound level has been minimized. The level of FDFW28KXE6F in the cooling Lo mode is only 30dB(A).

Flap control system

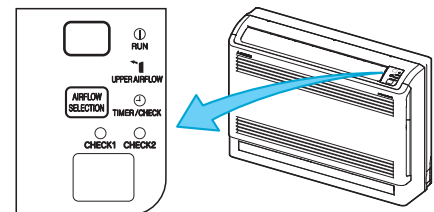
Selection of flap position is possible. A flap can be set at different angles.

*The wireless remote control is not applicable to the flap control system.



Convenient to use operation

Simultaneous lower and upper air outlets or upper outlet can be selected by air flow direction button. Further control can be arranged by a remote control.



(In case of use of wireless remote control)

SPECIFICATIONS

Indoor unit		FDFW	28KXE6F	45KXE6F	56KXE6F
Power source		1 Phase 220-240V, 50Hz			
Nominal capacity	Cooling	kW	2.8	4.5	5.6
	Heating	kW	3.2	5.0	6.3
Power consumption	Cooling	W	20-20		30-30
	Heating	W	20-20		30-30
Sound power level ¹	Cooling	dB(A)	55	57	60
	Heating	dB(A)	55	57	60
Sound pressure level ¹ (Hi/Me/Lo)	Cooling	dB(A)	36/34/30	38/36/33	44/37/33
	Heating	dB(A)	36/34/30	38/36/33	44/37/33
Exterior dimensions (HxWxD)		mm	600x860x238		
Net weight		kg	19	20	
Air flow (Hi/Me/Lo)	Cooling	m ³ /min	9/8/7		11/9/8
	Heating	m ³ /min	9/8/7		11/9/8
Outside air intake		Not possible			
Refrigerant piping size (Flare)	Liquid	mm	ø6.35(1/4")		
	Gas	(in)	ø9.52(3/8")	ø12.7(1/2")	
Air filter, Q'ty		Polypropylene net x1 (Washable)			

1. The data are measured under the following conditions(SO-T1). Cooling: Indoor temp. of 27°CDB, 19°CWB, and outdoor temp. of 35°CDB. Heating: Indoor temp. of 20°CDB, and outdoor temp. of 7°CDB, 6°CWB.
2. Sound pressure level indicates the value in an anechoic chamber. During operation these values are somewhat higher due to ambient conditions.

Floor Standing (with casing) FDFL Floor Standing (without casing) FDFU



New!



FDFL71

Remote control (option)

Wired

Wireless



RC-EX3D RC-E5 RCH-E3 RC-ES1 RCN-KIT4-E2



FDFU28-71 (concealed type)

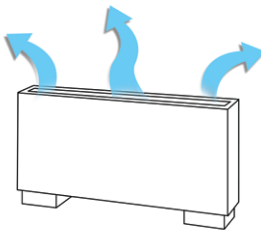
Improved comfort with the air flow from a wide outlet

With the 60 degrees angle of the air flow from the front to the upper side the comfort has increased.

Piping could be taken from the side and the bottom leading to an improved serviceability and ease of installation



Wider air flow for optimum comfort

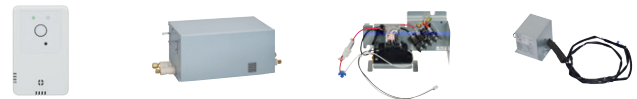


R32 Leak detector and shut-off valve available as an option

Refrigerant leak detector
RLD-KIT-E

Shut-off valve
SV-KIT-S1N-E
SV-KIT-L1N-E

For this model a relay kit (SV-RLY-E) is required to connect to the shut-off valve.



Motion Sensor

(option)

The optional motion sensor on our floor standing units saves energy by operations by detecting human movement. Our smart technology provides energy saving control by shifting set temperature by detecting human activity.



LB-KIT2

SPECIFICATIONS

Indoor unit	FDFL		71KXZE3-W	-	-	-	-	71KXE6F	-	-	-	-
	FDFU		-	28KXZE3-W	45KXZE3-W	56KXZE3-W	71KXZE3-W	-	28KXE6F	45KXE6F	56KXE6F	71KXE6F
Power source	1 Phase 220-240V, 50Hz											
Nominal capacity	Cooling	kW	7.1	2.8	4.5	5.6	7.1	7.1	2.8	4.5	5.6	7.1
	Heating		8.0	3.2	5.0	6.3	8.0	8.0	3.2	5.0	6.3	8.0
Power consumption	Cooling	W	90-100									
	Heating		90-100									
Sound power level ¹ (Hi)	Cooling	dB(A)	61	60			61	62	58	60		
	Heating											
Sound pressure level ¹ (Hi/Me/Lo)	Cooling	dB(A)	45/43/40	44/43/42	42/41/38		45/43/40	43/41/40	41/38/36	43/41/40		
	Heating		46/44/40				46/44/40					
Exterior dimensions (HxWxD)	mm		630x1481x225	630x1087x225			630x1372x225	630x1481x225	630x1087x225			630x1372x225
Net weight	kg		46	27	29		35	46	27	29		35
Air flow (Hi/Me/Lo)	Cooling	m ³ /min	18/15/12	12/11/10	14/12/10		18/15/12	18/15/12	12/11/10	14/12/10		18/15/12
	Heating											
Outside air intake	Not possible											
Refrigerant piping size (Flare)	Liquid	mm	ø9.52(3/8")	ø6.35(1/4")			ø9.52(3/8")	ø9.52(3/8")	ø6.35(1/4")			ø9.52(3/8")
	Gas		(in)	ø15.88(5/8")	ø9.52(3/8")	ø12.7(1/2")		ø15.88(5/8")	ø15.88(5/8")	ø9.52(3/8")	ø12.7(1/2")	
Air filter, Q'ty	Polypropylene net x1 (Washable)											

1. The data are measured under the following conditions(ISO-T1). Cooling: Indoor temp. of 27°CDB, 19°CWB, and outdoor temp. of 35°CDB. Heating: Indoor temp. of 20°CDB, and outdoor temp. of 7°CDB, 6°CWB.
2. Sound pressure level indicates the value in an anechoic chamber. During operation these values are somewhat higher due to ambient conditions.

Outdoor Air Processing unit FDU-F



FDU650-2400F

Remote control (option)

Wired



RC-EX3D RC-E5 RCH-E3 RC-ES1

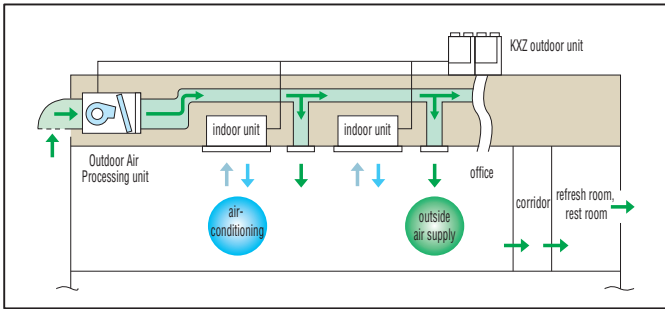
Wireless



RCN-KIT4-E2

Create a fresher environment with the Outdoor Air Processing feature

Connect your KXZ system to an Outdoor Air Processing unit with one streamlined system. This advanced technology allows you to enjoy a fresh and comfortable air supply.



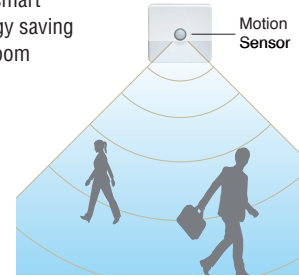
Motion Sensor

(option)

Built into the ceiling or wall plane, our motion sensor smart technology improves energy saving performance and overall room comfort.



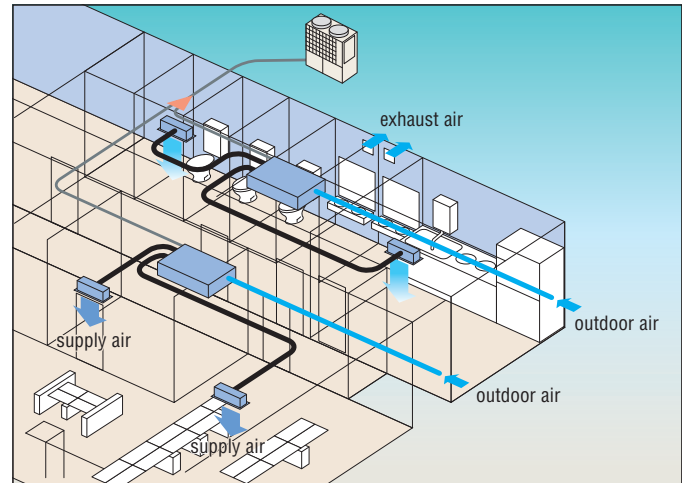
LB-KIT2



Compact design

Compact design at just 280(650, 1100), 379(1800, 2400)mm in height, high static pressure of 200Pa and the industry's lowest noise level can meet various kind of installation locations for offices, refresh rooms, restrooms and kitchens of restaurants etc.

- (1) This unit is the specific unit for processing the outdoor air temperature closer to the room temperature. For conditioning the room temperature a dedicated air-conditioner is required additionally.
- (2) This unit monitors the outdoor air temperature and controls the thermostat's ON/OFF at the setting temperature by the remote controller, which indicates the outdoor air temperature for controlling the thermostat's ON/OFF. When the thermostat is turned OFF, the operation is changed to the fan mode so that unprocessed outdoor air will be blown into the room directly. Therefore place the air outlet port or orient the air outlet direction not to blow air directly to persons in the room, especially in small room such as a restroom and/or sanitary hot water supplying room.
- (3) It is strictly prohibited to monitor the room temperature by switching to the thermistor at the remote controller side and/or the optional remote thermistor. Otherwise dew formation at air outlet port and/or dew dripping may occur during cooling operation due to the lower outdoor air temperature. Therefore keep the remote controller of this unit in place closer to the administrator so as not to be touched freely by the end user.
- (4) Dehumidifying operation with this unit is prohibited.
- (5) When handing over this unit to the end user, make sure to explain sufficiently about the foregoing cautions, the installation place and usage of remote control for this unit and the location of the air outlet.

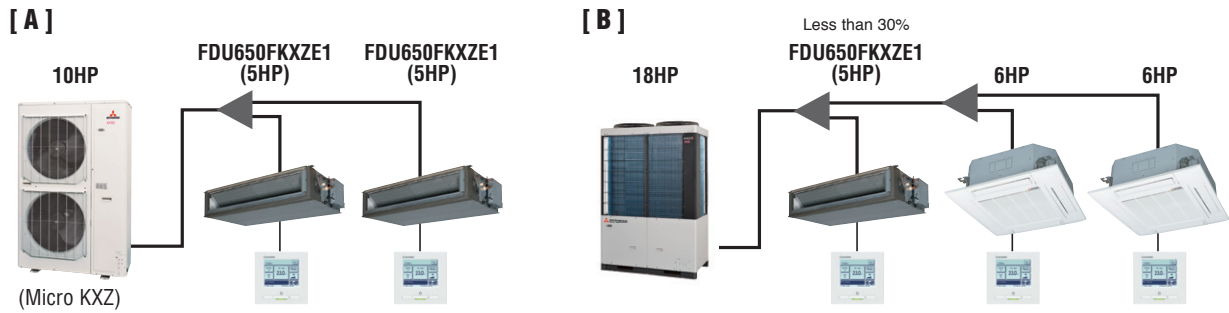


Connectivity with Outdoor units

FDU-F series are connectable to 8-60HP KXZ2 outdoor units, can not be connected to Micro model (4-6HP), KXZ Lite.

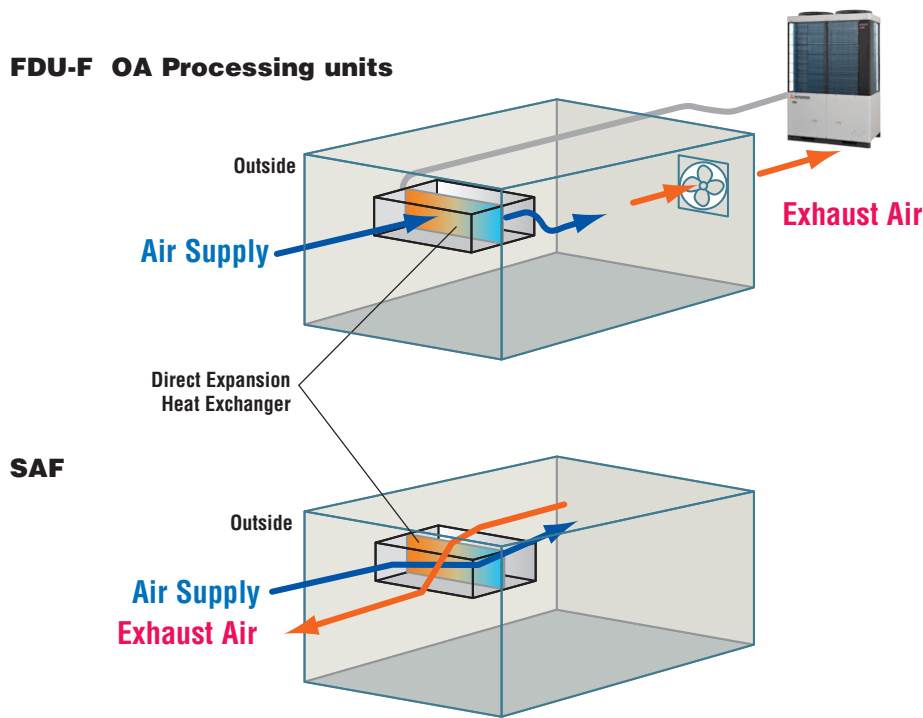
Combination with Outdoor units

	case	Combination
A	Only OA processing units are connected with outdoor units.	The total capacity of FDU-F is 50-100% of outdoor capacity and max quantity of FDU-F is 2 units.
B	Both of OA processing units and dedicated air-conditioner are connected with outdoor units.	The total capacity of FDU-F and dedicated air-conditioners is 50-100% of outdoor capacity and max quantity of FDU-F should be below 30% of outdoor unit capacity.



Concept (Difference between FDU-F and SAF)

SAF is the energy recovery ventilation unit which can recover heat energy from exhaust air to supply air and "has no air processing function, but FDU-F is an air processing unit which can treat the supply air closer to room temperature by cooling or heating in connection with KXZ refrigerant system and exhaust air is discharged to outside of the room.



SPECIFICATIONS

Indoor unit	FDU		650FKXZE1	1100FKXZE1	1800FKXZE1	2400FKXZE1
Power source	1 Phase 220-240V, 50Hz					
Nominal capacity	Cooling	kW	9.0	14.0	22.4	28.0
	Heating		6.5	10.5	16.0	21.5
Power consumption	Cooling	W	240-250		350-360	
	Heating		1160-1200			
Sound power level ¹ (Hi)	Cooling	dB(A)	55	62	68	70
	Heating		31	37	42	45
Sound pressure level ¹ (Hi)	Cooling	dB(A)	280x950x635	280x1368x740	379x1600x893	
	Heating		34	54	89	
Exterior dimensions (HxWxD)	mm					
Net weight	kg					
Air flow (Hi)	Cooling	m ³ /min	11	18	30	40
	Heating					
Static pressure	Pa		200(at Hi Air flow)			
Outside air intake	Possible					
Refrigerant piping size	Liquid	mm (in)	ø9.52(3/8")(Flare)		ø9.52(3/8")(Brazing)	
	Gas		ø15.88(5/8")(Flare)		ø19.05(3/4")(Brazing)	ø22.22(7/8")(Brazing)
Air filter	Procure locally					

- The data are measured at 33°CDB 28°CWB (68%RH) during cooling and 0°CDB-2.9°CWB (50%RH) during heating (no frost).
- Temperature range of outdoor air must be 20-40°CDB (32°CWB) during cooling and 0-24°CDB during heating.
- Sound level indicates the value in an anechoic chamber. During operation these value are somewhat higher due to ambient conditions.
- The factory E.S.P. setting is set within the range of 10 - 120Pa.If SW8-4 is turned to "ON", E.S.P. setting range can be changed to 10 - 200 Pa. (with RC-EX3D and RC-E5 only)

Hydro Module unit HMU



HMU140 · 280

Remote control (option)

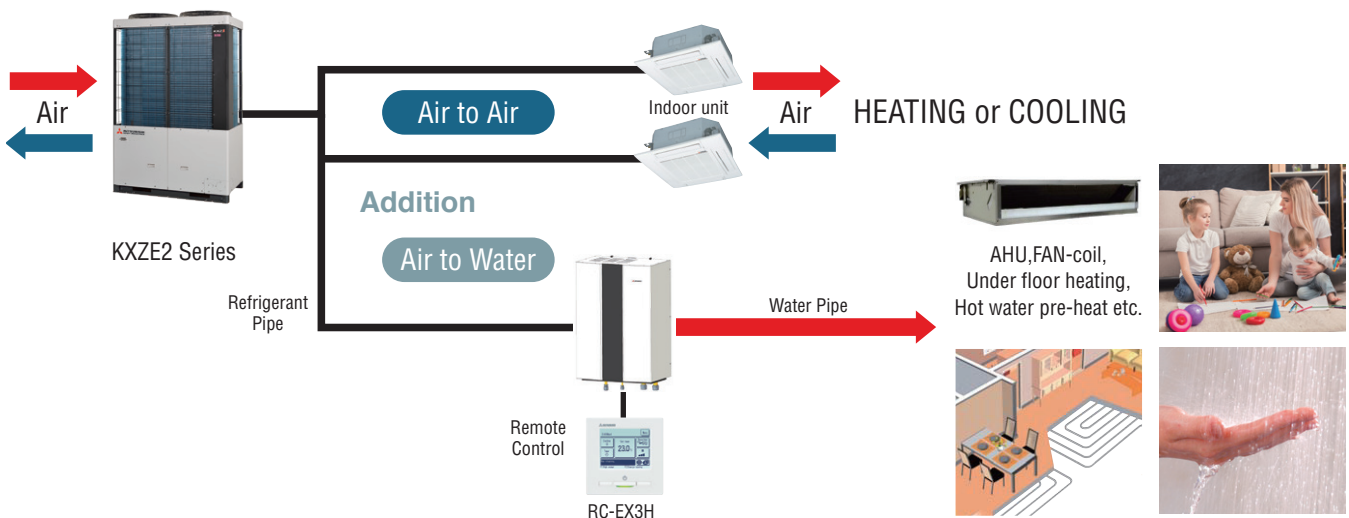
Wired



RC-EX3H

What is the hydro module unit? (Hydro module unit : HMU)

This unit is an auxiliary device for use with the VRF type multi systems to control water temperatures. It employs the plate heat exchanger in place of fin heat exchanger, and produces cold or hot water by exchanging heat between refrigerant and water. Since it can produce hot or cold water using the VRF type multi systems as the heat source, it allows to configure a chiller system in a simple way on the one hand. On the other, it can expand the range of applications of air-conditioner because it can be used mixed with the multiple indoor unit for building.



Target outlet water temperature constant control

- This is achieved by controlling compressor frequency and control of EEVs.
- Controlling the capacity of HMUs in accordance with the load.
- The HMU is designed to achieve a hot water temperature of 55°C.

Mixed operation

- Mixed operation is possible in the air to air indoor unit and HMU.
- During the operation only of HMU, it can accommodate a wide range of outlet water temperature controlled by a dedicated control.
- When the system is in mixed operation, the HMU or air-conditioner can be set as priority.

Antifreeze control

- Anti-freeze protection of plate heat exchanger is enabled during defrost operation.

External equipment linked

- External output of interlocking signal to an external heat source for the secondary heating.
- Possible target setting temperature change from the external input. (3 points)
- Water pump control (ON / OFF) possible.

*HMU is designed for closed loop heat exchange applications. Connections to any other open loop systems (such as domestic water) should be handled via a secondary heat exchanger.

Application example

Heating system using HMU and air-conditioner propose various solutions.



SPECIFICATIONS

Indoor unit		HMU		140KXZE1		280KXZE1	
Power source				1 Phase 220-240V, 50Hz			
Deviation, incoming supply				± 10%(Min.85% at starting)			
Operation range	Maximum capacity	Cooling	kW	14		28	
		Heating					
	Power consumption (Rated/Max.)	Cooling	W	220/360		316/360	
		Heating					
	Current (Rated/Max.)	Cooling	A	1.00-0.92/1.54		1.44-1.32/1.54	
		Heating					
	Outdoor temperature	Cooling	°C	15-46		-20-32(Mixed Use*1 : -20-20)	
		Heating					
	Indoor temperature		°C	0-32(Without freezing)			
	Indoor relative humidity		%	≤ 90			
	Inlet water temperature	Cooling	°C	12-30(Mixed Use*1 : 19-24)			
		Heating ^{*2}		20-50(Mixed Use*1 : 20-35)			
		Heating ^{*3}		25-50(Mixed Use*1 : 25-35)			
	Outlet water temperature	Cooling	°C	7-25(Mixed Use*1 : 14-19)			
Heating ^{*2}		25-55(Mixed Use*1 : 25-40)					
Heating ^{*3}		30-55(Mixed Use*1 : 30-40)					
Water flow (Rated/Min.-Max.)		L/min	40/20-40		80/24-80		
External water pressure @Rated flow		kPa	98		80		
Allowable operating pressure (water)		kPa			30-600		
Minimum suction head at 50°C		kPa			30		
Inlet water pressure		kPa			30-600		
Sound power level	Cooling ^{*4,6}	dB(A)			48		
	Heating ^{*5,6}		46		49		
Sound pressure level	Cooling ^{*4}	dB(A)			32		
	Heating ^{*5}		27		31		
Exterior dimensions (HxWxD)		mm	860(110*7) x 550 x 400				
Weight (without water)		kg	46		48		
Weight (Including water)		kg	47.8		50.6		
Minimum amount of water in the water circuit		L	150		230		
Set pressure of safety valve		kPa	600				
Water pipe connection				R1-1/2			
Refrigerant piping size	Liquid	mm			ø9.52(3/8")(Flare)		
	Gas	(in)	ø15.88(5/8")(Flare)		ø22.22(7/8") ^{*8} (Brazing)		

*1 Mixed use means HMU and air to air indoor unit mixed operation. *2 In case outdoor temperature more than 0°C.(0°C<Outdoor air temperature) *3 In case outdoor air temperature is 0°C or less. (Outdoor temperature ≤ 0°C) *4 Sound test condition for cooling: Cooling condition 1. *5 Sound test condition for heating: Heating condition 3. *6 MIC position: 1m from the center of the HMU. *7 Outside piping length. *8 Accessory pipe needs to be connected for gas pipe on site.

Performance data

Indoor unit			HMU280KXZE1	
Outdoor unit			FDC280KXZE2	
Heating nominal capacity	condition 1	kW	23.00	
	condition 2		23.15	
	condition 3		25.20	
Heating power consumption	condition 1	kW	8.40	
	condition 2		6.90	
	condition 3		6.00	
COP	condition 1	-	2.74	
	condition 2		3.36	
	condition 3		4.20	
ηsh	condition 3 base		151	
Cooling nominal capacity	condition 1	kW	25.80	
	condition 2		18.80	
Cooling power consumption	condition 1	kW	6.35	
	condition 3		6.25	
EER	condition 1	-	4.06	
	condition 2		3.01	

Note: Heating condition 1: Inlet/outlet water temp. 47°C/55°C, Outdoor temp. 7°CWB/6°CDB. Heating condition 2: Inlet/outlet water temp. 40°C/45°C, Outdoor temp. 7°CWB/6°CDB. Heating condition 3: Inlet/outlet water temp. 30°C/35°C, Outdoor temp. 7°CWB/6°CDB. Cooling condition 1: Inlet/outlet water temp. 23°C/18°C, Outdoor temp. 35°CWB/- . Cooling condition 2: Inlet/outlet water temp. 12°C/7°C, Outdoor temp. 35°CWB/- .

Ventilation

Fresh Air Ventilation and Heat Exchange unit

SAF-E7



Helping you to reduce energy consumption and carbon emissions by capturing waste energy. EFBD also allows for smaller sized units as less heating/cooling requirements are needed!



Energy Performance of Building Directive - EPBD

The EPBD function limits electrical/gas power to provide heating or cooling to commercial buildings. To use this function, the building designer needs to select energy efficient heating/cooling equipment and to minimise energy losses through ventilation systems.

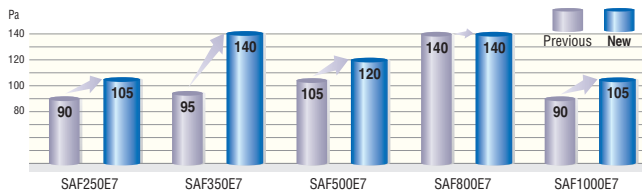
SAF smart technology recovers heat energy in the atmosphere which would have otherwise been lost. It then uses this energy to warm air entering the building. The reverse happens in warmer climates where the exhausted cool air is used to partially cool the incoming air.

Remote control

The following functions are newly available.

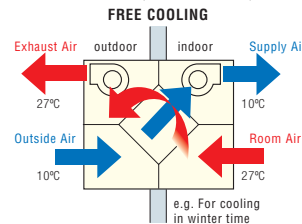
- ON/OFF Timer – The hour and minute of timer on/off can be set.
- Filter Sign – Announces the due time for cleaning the air filter.

Increased external static pressure at UHi air flow

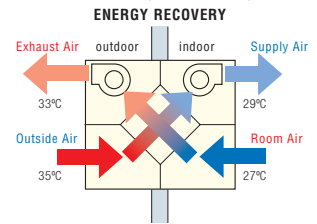


Principle of Operation

Principle of operation (simple ventilation)



Principle of operation (heat exchanging)



SPECIFICATIONS

Indoor unit	SAF	150E7	250E7	350E7	500E7	800E7	1000E7	
Power source	1 Phase 220-240V, 50Hz							
Exterior dimensions (HxWxD)	mm	270x970x467	270x882x599	317x1050x804	317x1090x904	388x1322x884	388x1322x1134	
Exterior appearance	Galvanized steel sheet							
Power input	W	92-107	108-123	178-185	204-225	360-378	416-432	
Running current	A	0.42-0.45	0.49-0.51	0.81-0.77	0.93-0.94	1.64-1.58	1.89-1.80	
Capacity	UHi	Enthalpy exchange efficiency	Cooling	63	66	62	65	
		Enthalpy exchange efficiency	Heating	70	69	67	71	
	Temperature exchange efficiency		75					
	Hi	Enthalpy exchange efficiency	Cooling	63	66	62	65	
		Enthalpy exchange efficiency	Heating	70	69	67	71	
	Temperature exchange efficiency		75					
Lo	Enthalpy exchange efficiency	Cooling	66	65	71	64	68	70
	Enthalpy exchange efficiency	Heating	73	72	73	69	74	76
Temperature exchange efficiency		77					76	79
Motor & Q'ty	W	10 x 2	20 x 2	40 x 2	70 x 2	180 x 2	180 x 2	
Air handling equipment Fan type & Q'ty	Sirocco fan x 2							
Air flow (UHi/Hi/Lo)	m³/h	150/150/120	250/250/190	350/350/240	500/500/440	800/800/630	1000/1000/700	
External static pressure (UHi/Hi/Lo)	Pa	80/70/25	105/95/45	140/60/45	120/60/35	140/110/55	105/80/75	
Net weight	kg	25	29	49	57	71	83	
Air filter	Supply air Exhaust air	Protection for element (Washable) PS400						

(1)The data are measured at the following conditions.

		Summer	Winter
Indoor side (Supply air)	DB	27°C	20°C
	WB	20°C	14°C
Outdoor side (Outside air)	DB	35°C	5°C
	WB	29°C	2°C
Unit around	DB	27°C	20°C

Fresh Air DX Assembly SAF-DX



Drain up kit (option)
DXA-DU-E
(built-in type)

Remote control (option)

Wired



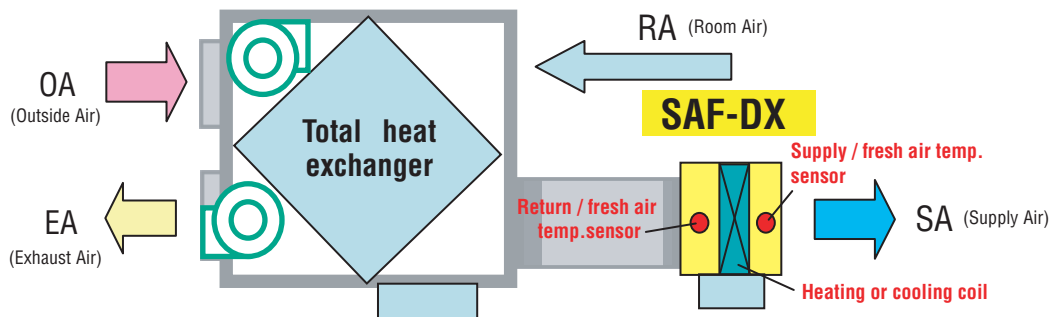
RC-E5 RCH-E3

Wireless



RCN-KIT4-E2

- SAF-DX is a heating or cooling coil incorporating KXZ series controls. It can be used in combination with our total heat exchanger. (SAF series)
- Combination of SAF-DX with other indoor units is possible. The capacity code index of each model is shown below and must be used when making the system selection. Total capacity code index must be within 100% of outdoor unit capacity code index.
- Remote control option is the same as other indoor units (see above). Connection to all Superlink controls is also possible.
- Optional condensate lift mechanism is also available (600mm height).
- Return air temp. control or supply air temp. control can be selected.



SAF-DX can provide heating or cooling to the fresh air supplied through a 3rd party air handling unit or total heat exchanger such as our SAF series.

■ SPECIFICATIONS

Indoor unit	SAF-DX	250E6	350E6	500E6	800E6	1000E6
Power source		1 Phase 220-240V, 50Hz				
Nominal capacity	Cooling	2.0	2.8	3.6	5.6	6.3
	Heating	1.8	2.2	2.8	4.5	5.6
Capacity code		22	28	36	56	71
Power consumption	Cooling	7.2-7.2				
	Heating	7.2-7.2				
Running current	Cooling	0.05-0.05				
	Heating	0.05-0.05				
Exterior dimensions (HxWxD)	mm	315x452x422		315x537x422	315x682x422	315x822x422
Net weight	kg	12.3		13.6	16.1	18.4
Air flow (Standard)	m ³ /h	250	350	500	800	1000
Internal resistance	Pa	38	66			
Refrigerant piping size (Flare)	Liquid	ø6.35(1/4")				ø9.52(3/8")
	Gas	ø9.52(3/8")		ø12.7(1/2")		ø15.88(5/8")

(1)The data are measured at the following conditions.

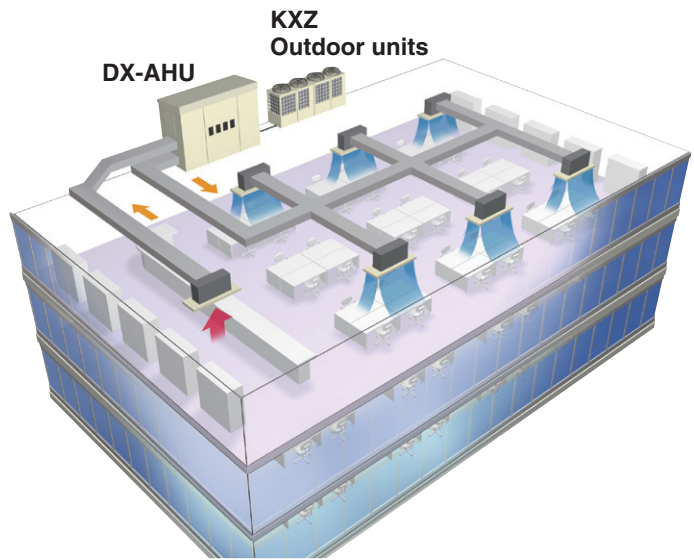
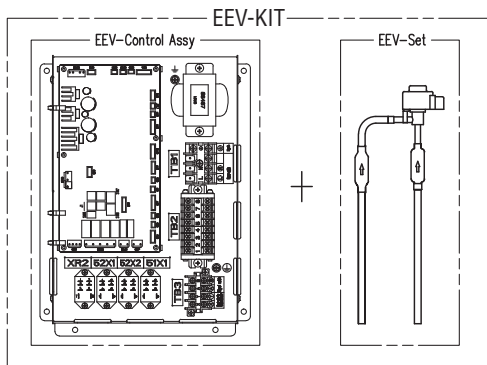
Item	Return/fresh air temperature		Outdoor air temperature		Standard
	DB	WB	DB	WB	
Cooling*1	27°C	19°C	35°C	24°C	ISO-T1
Heating*2	20°C		7°C	6°C	

(2)The air-conditioner is manufactured and tested in conformity with ISO-T1 "UNITARY AIR-CONDITIONERS".

Electronic Expansion Valve Kit

EEV-KIT

- EEV-KIT is the control kit for operating the locally provided AHU or FCU with direct expansion heat exchanger coils in connection with the KXZ system.
(AHU : Air Handling Unit, FCU : Fan Coil Unit)
- EEV-KIT is composed of one EEV-Control ASSY and one EEV-Set.



DX : Direct expansion coil

Features

EEV-Control Assy has 2 types.

Refrigeration system	EEV-Control Assy	
	EEVKIT6-E-M	EEVKIT6-E-C
Single		1 box-Many boxes
Multiple	1 box (for master)	Many boxes(for slave)

EEV-Set Select from following 3 types according to the coil capacity.

Type	EEV6-71-E	EEV6-160-E	EEV6-280-E
Capacity	22-71	90-160	224-280

System configuration

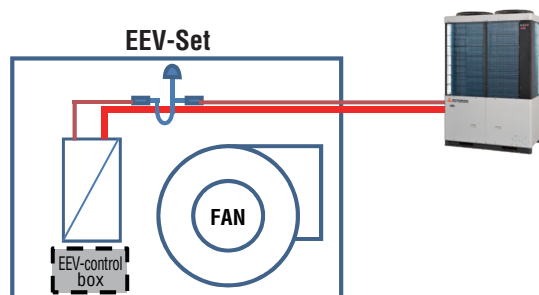
- Single refrigeration system EEVKIT6-E-C ... Possible with multiple refrigeration systems
- Multiple refrigeration system EEVKIT6-E-M (1) + EEVKIT6-E-C ... Possible with multiple refrigeration systems(Max32)
- EEVKIT6-E-C is common for both single and multiple refrigeration systems

Single refrigerant system

- Single refrigeration system is the one that can have multiple outdoor units on one refrigerant pipe work circuit.
- There are 2 types of EEV-KIT systems that can be built into the single refrigeration system.
- System A : one EEV-KIT.
- System B : multiple EEV-KIT's.

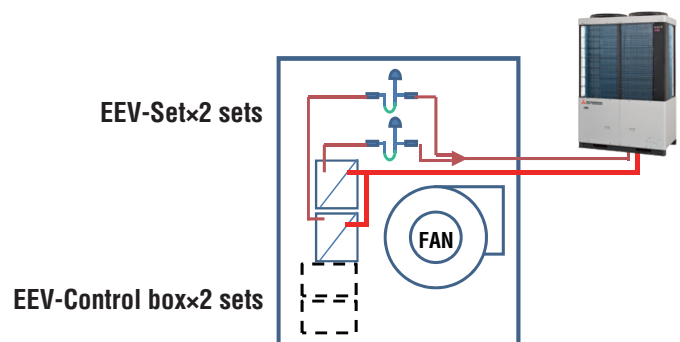
System A

- This system has only one set of EEV-KIT built into one indoor unit with only one heat exchanger. This system can be applied to an indoor unit whose capacity is up to 10HP.



System B

- System B is a system that has multiple EEV-KIT's built into one indoor unit with multiple heat exchangers on one refrigerant circuit.
- This system can be applied up to 60HP (for KXZ) AHU capacity.



Multiple refrigerant system

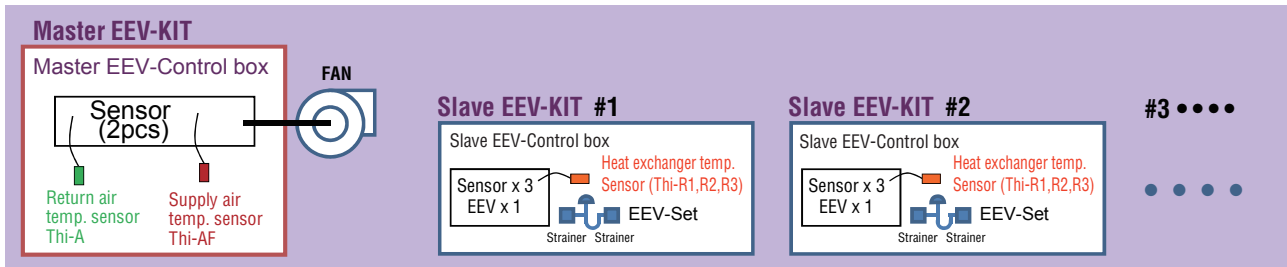
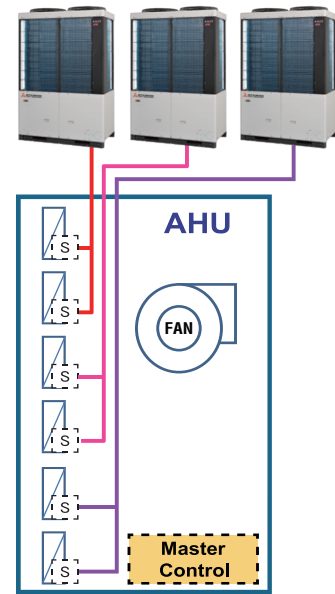
Multiple refrigeration system is an AHU system with multiple independent refrigerant circuits and one master control to control the whole system.

Advantages

- Large systems are possible [max capacity 896kW]
- External control
- Capacity step control
- Can connect to 32 units

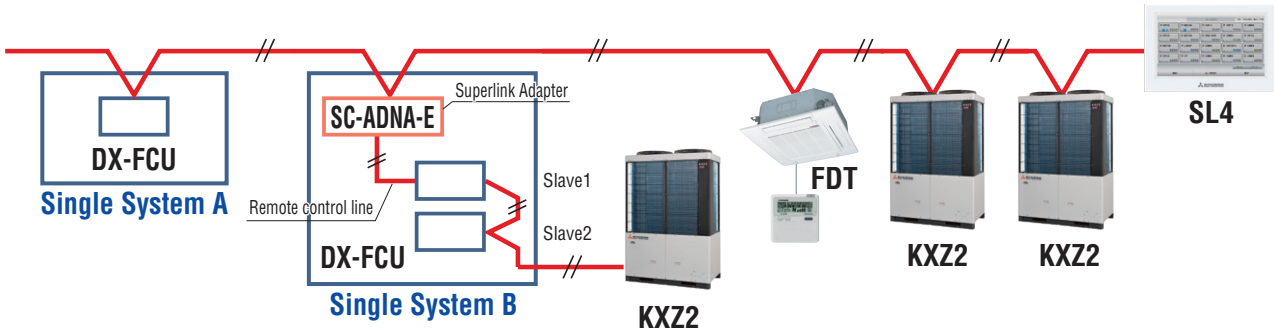
Additional parts over a single refrigeration system

- One master control
- The slave EEV control and EEV set are the same as a single refrigeration system.

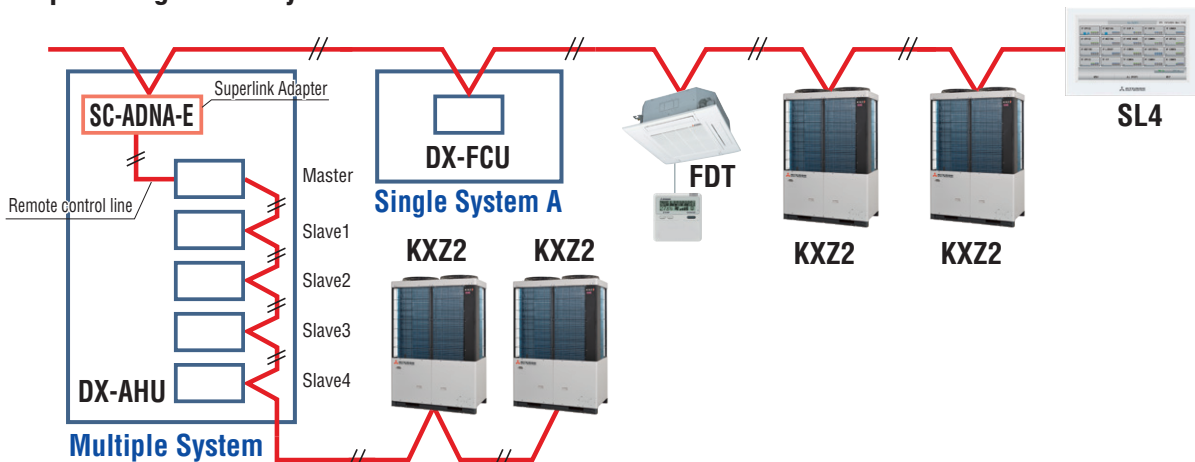


Connection to SUPERLINK-II

Single refrigeration system



Multiple refrigeration system



Control Systems

Individual control

Remote Control line up

wired	indoor unit	remote control
		RC-EX3D
		RC-E5
		RC-ES1
	all models	RCH-E3

wireless	indoor unit	remote control	indoor unit	remote control	indoor unit	remote control
	FDT	RCN-T-5BW(-5BB)-E2	FDT5	RCN-TS-E2	FDE	RCN-E-E3
	FDTc	RCN-TC-5AW-E3	FDK22-56	RCN-K-E2	FDfW	RCN-FW-E2
	FDTW	RCN-TW-E2	FDK71	RCN-K71-E2	others*	RCN-KIT4-E2

*FDTQ, FDU, FDUM, FDUT, FDUH, FDU-F

Wired remote control

(option)

RC-EX3D H120 x W120 x D19 mm

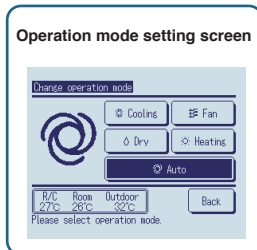
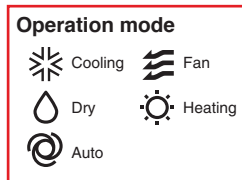
Intuitive touch controller with Liquid Crystal Display

User friendly

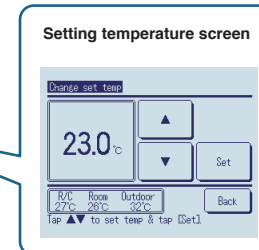
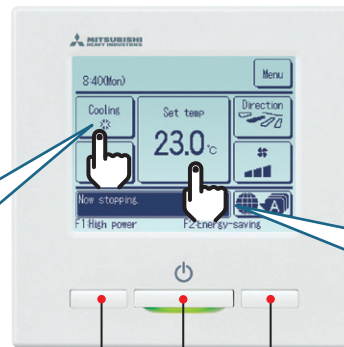
- LCD panel with light tap operation introduced as the industry's first
- Simple interface with only three buttons

Easy view

- Big LCD with 3.8 inch full dot display
- Back light function
- Multi language display (9 languages)



The desired operation mode can be selected by simply tapping this button.



You can select the temperature as desired by tapping button.

Run / Stop

High power operation
The highest capacity operation (Max 15 minutes)
• Increasing compressor speed
• Increasing air flow volume

Energy-saving operation
• Changes set temperature.
At 28°C in cooling mode and 22°C in heating mode, 25°C in auto mode.
• Operation correction by outdoor temperature

Main functions

	Function name	Description
Economy & Timer	Energy-saving operation	Since the capacity is controlled automatically based on the outdoor temperature, energy can be saved without losing comfort.
	Sleep timer	Set the time period from start to stop of operation. The selectable range of setting time is from 30 to 240 minutes (at 10-minute intervals).
	Set temperature auto return	The temperature automatically returns to the previously set temperature.
	Set ON timer by hour	When the set time elapses, the air-conditioner starts.
	Set OFF timer by hour	When the set time elapses, the air-conditioner stops.
	Set ON timer by clock	The air-conditioner starts at the set time.
	Set OFF timer by clock	The air-conditioner stops at the set time.
	Weekly timer	On or Off timer can be set on a weekly basis.
	Peak-cut timer	Capacity control can be set by using peak cut function on RC-EX3D for better energy saving. Five-step capacity control is available.
	Home leave operation	When the unit is not used for a long period of time, the room temperature is maintained at a moderate level, avoiding extremely hot or cool temperatures.
Comfort	Big LCD & Touch screen panel	Large 3.8 inch screen has resulted in improved visibility and operability.
	Easy modification of Individual flap control	User can visually confirm and set the direction of flaps using the visual display on the remote controller.
	Automatic fan speed *1	The micro-computer automatically adjusts the air flow effectively to follow the changes of return air temperature.
	Temp increment setting	Temperature increment for the change of the set temp can be changed.
Convenience	Silent mode	Set the period of time to operate the Outdoor unit with prioritizing the quietness.
	Function switch	The function switch allows user to select and set two functions among available functions.
	Favourite setting	Operation mode, set temperature, fan speed and air flow direction automatically adjust to the programmed favourite setting.
	Adjusting Brightness of the background light	The brightness of the background light can be adjusted by 10 stages.
	LCD contrast setting	This function allows user to adjust LCD display contrast.
	High power operation	High Power Mode increases the unit operating ability for 15 minutes to quickly adjust the room temperature to a comfortable level.
	Back light setting	This convenient function allows user to see controls under low light conditions.
	Administrator settings	This function only allows specific individuals to operate the unit.
	Setting temp range	Limited range of setting temperature in the heating or the cooling operation can be selected.
	External Input/Output Function	The external input/output of indoor unit by remote controller can set input/output based on user needs.
Service	Select the language	Set the language to be displayed on the remote control.
	USB connection (mini-B)	This function allows batch input of schedule timer settings and other settings involving a large amount of data.
	Error code display	This function allows user to check information displayed when abnormal function of the unit occurs.
	Operation data display	Displays various types of air-conditioner operation data in real time.
	Contact company display	Address of the service contact is displayed.
	Filter sign	Announces the due time for cleaning of the air filter.
Static pressure adjustment	Allows user to adjust duct static pressure using the remote control.	
Backup Control	Allows for rotation control, fault backup control, and capacity backup control.	

*1 Cannot be used when a centralized control remote is connected.

Wireless remote control

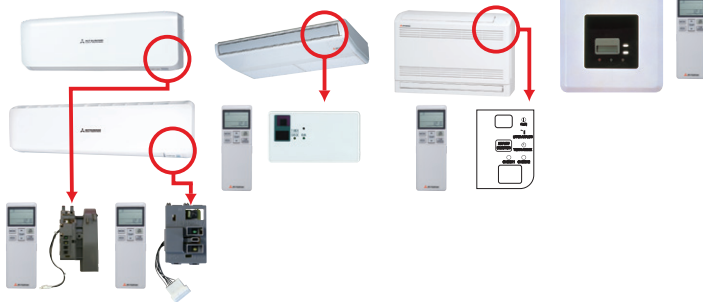
(option)

For wireless control simply insert the infra-red receiver kit on a corner of the panel

RCN-T-5BW-E2 RCN-T-5BB-E2 **RCN-TC-5AW-E3** **RCN-TW-E2** **RCN-TS-E2**



RCN-K-E2, RCN-K71-E2 **RCN-E-E3** **RCN-FW-E2** **RCN-KIT4-E2**



*The wireless remote control is not applicable to the Individual flap control system.

Design remote control

(option)

RC-ES1 (wired) New!

H86 x W86 x D17 mm

- Simple and sophisticated design
- Compact size (86x86mm)
- Remote control with Bluetooth® wireless technology



Wireless connection



Remote control with Bluetooth® wireless technology. Easy set-up of indoor units. Notifications of abnormal conditions or operational data from the remote control will be sent to your smartphone.

The Bluetooth® word mark and logos are registered trademarks owned by Bluetooth SIG, Inc. and any use of such marks by MITSUBISHI HEAVY INDUSTRIES THERMAL SYSTEMS, LTD. is under license.

Wired remote control

(option)

RC-E5 H120 x W120 x D19 mm



The RC-E5 controller enables extensive access to service and maintenance technical data combined with easy to use functions and a clear LCD display.

Weekly timer function as standard

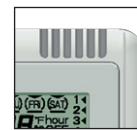
RC-E5 provides (as a standard feature) a weekly timer, which allows one-week operation schedules to be registered. A user can specify up to four times a day to start/stop the air-conditioner. (Temperature setting is also possible with the timer).

Run hour meters to facilitate maintenance checking

RC-E5 stores operation data when an anomaly occurs and indicates the error on the LCD. It also displays cumulative operation hours of the air-conditioner and compressor since commissioning.

Room temperature controlled by the remote control sensor

The temperature sensor is housed in the top section of the remote control unit. This arrangement has improved the sensitivity of the remote control unit's sensor, which permits more finely controlled air-conditioning.



Changeable set temperature ranges

RC-E5 allows the upper and lower limits of a set temperature range to be specified separately. By adjusting a set temperature range, you can ensure energy saving air-conditioning by avoiding excessive cooling or heating.

Simple remote control

(option)

RCH-E3 (wired) H120 x W70 x D15 mm



Designed specially for hotel rooms, the controller's buttons are limited only to the minimum required functions such as ON/OFF, mode, temperature setting and fan speed. It is really simple and easy to use.

Up to 16 units

It can control up to 16 indoor units, by pressing the AIR-CON No. button.

AUTO restart

This function allows starting the air-conditioner automatically when power supply is restored after power failure or by turning on the power switch.

*RCH-E3 is not applicable to the Individual flap control system.
*When RCH-E3 is used, the fan speed setting can only be set to 3 speed settings (Hi-Me-Lo).

Thermistor

(option)

SC-THB-E3

In case the sensor integrated in the indoor unit or in the remote controller is unable to sense the room temperature correctly, or an individual controller in each room is not required but a temperature sensor is (as when a central control system is in place), install SC-THB-E3 in an adequate location in the room.

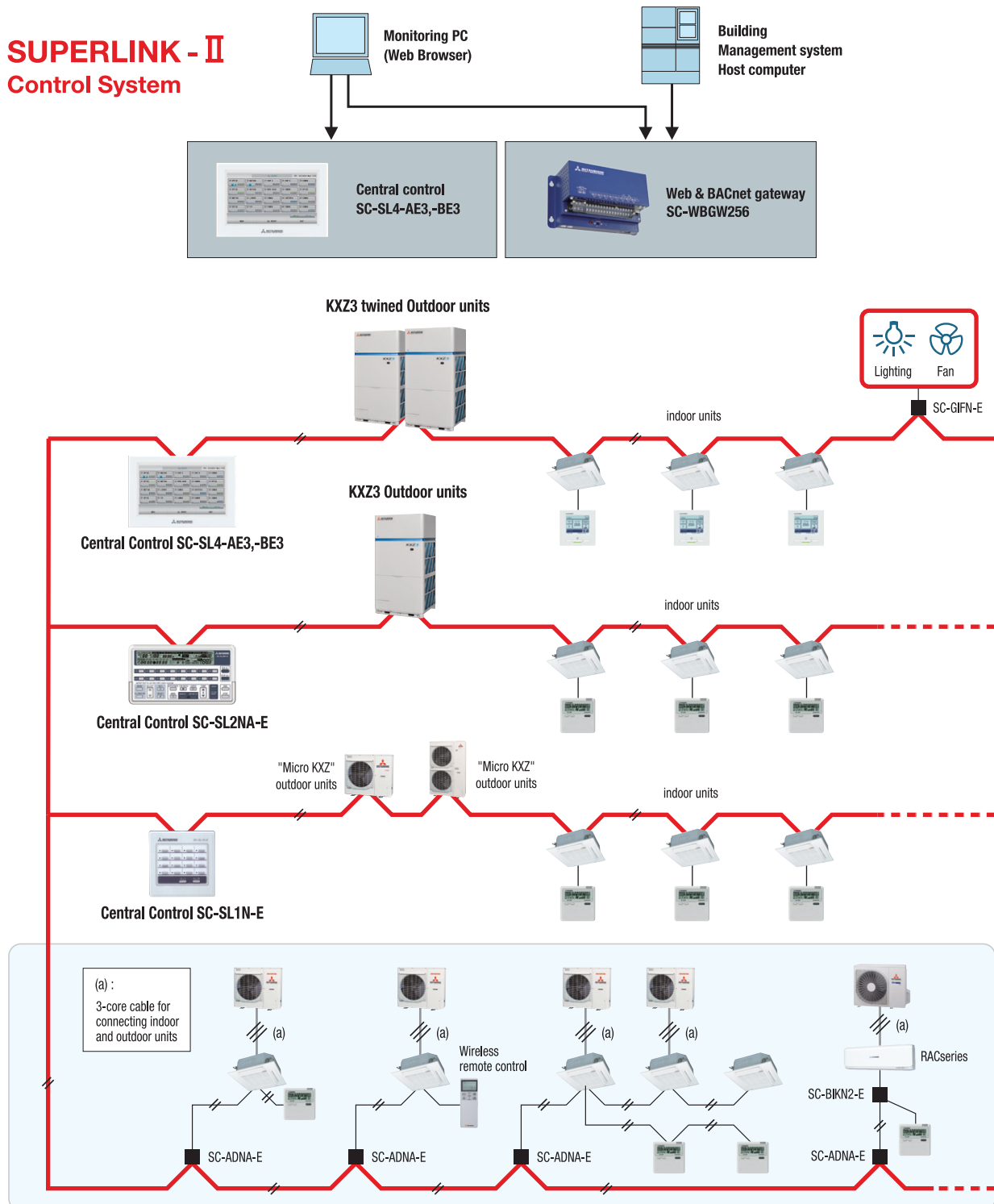


8m

Controls network overview

Our company offers simplicity in installation with the highly sophisticated SUPERLINK-II Control System

This offers building owners and occupiers a comprehensive control and management system while providing complete commissioning and service maintenance assistance for installers and service engineers. The SUPERLINK-II is an advanced high speed data transmission system which can connect up to 128 indoor units and 32 outdoor units onto one network. A wide range of control options are available for the SUPERLINK-II network to suit any application large or small, as well as connection to a new or existing Building Management System (BMS).



Central Control

SC-SL1N-E

Start/stop control of up to 16 indoor units either individually or collectively.
Simple centralised control.

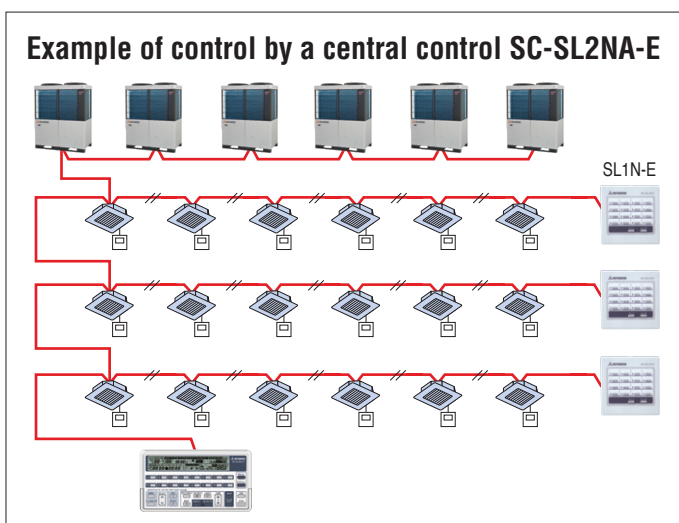
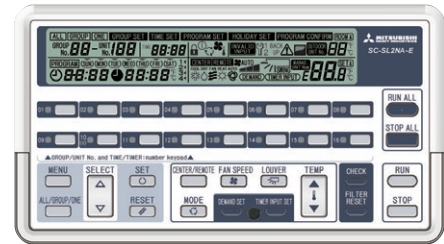
1. The SC-SL1N-E is connected to the Superlink- II network via 2-core, non-polar wires ('AB' connection).
2. It will monitor and control the start/stop function of up to 16 units, with the sixteen operation button.
3. The unit or group numbers in operation or in need of service are displayed with an LED.
4. Collective start/stop is also available through the simultaneous on/off button.
5. Up to 12 SC-SL1N-E units can be connected to a Superlink- II network (consisting of up to 128 indoor units).
6. If a power failure occurs, the SC-SL1N-E will resume the operation of the system according to a stored operation condition, once power is restored.



SC-SL2NA-E

Central control of up to 64 indoor units including weekly timer function as standard.

1. The SC-SL2NA-E is connected to the Superlink- II network via 2-core, non-polar wires ('AB' connection).
2. It will monitor and control the start/stop function of up to 16 units, or 16 groups of units, with the sixteen operation buttons.
3. It also monitors and controls the following functions for individual units, groups of units or the complete network: operation mode, set point temperature, return air temperature, louvre position, error code. Air flow and center lock function.
4. The unit or group numbers in operation or in need of service are displayed with an LCD.
5. Collective start/stop is also available through the simultaneous on/off button.
6. If a power failure occurs, the SC-SL2NA-E will resume the operation of the system according to a stored operation condition, once power is restored.
7. The SC-SL2NA-E can be connected to an external timer to facilitate timed on/off cycles.



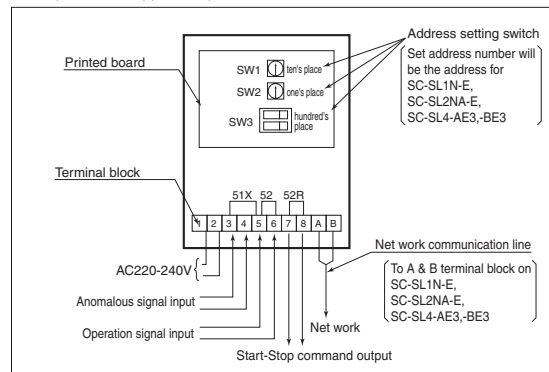
An SC-SL2NA-E performs the start/stop control, monitoring and mode setting of up to 64 units. It is a high quality air-conditioner control system that allows up to 64 indoor units to be freely grouped into 1 to 16 groups.

It allows not only the start/stop control but also the monitoring, display of operation statuses such as in operation or in need of service and mode setting such as switching of operation modes of connected units collectively, by group or individually.

- Outer dimensions: H120 x W215 x D25+35* mm.
- 35* is the measurement including the part contained in a recess.

SC-GIFN-E Interface kit

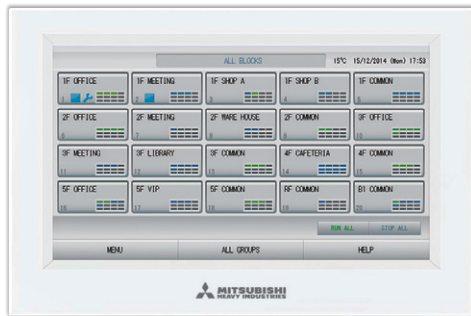
- Applicable products
Ventilation fan, Air purifier
- By using SC-GIFN-E together with central control such as SC-SL1N-E, SC-SL2NA-E and SC-SL4-AE3,-BE3, you can start-stop, operate & monitor the operation of applicable products.



Note:Please consult dealer for combination of center controls and Building Management Systems interface units.

SC-SL4-AE3,-BE3

Mitsubishi Heavy Industries Thermal Systems introduces the full colour touch screen central control SC-SL4-AE3,-BE3, with 9 inch interactive LCD display. Offers control, monitoring, scheduling and service/maintenance functions for up to 128 indoor units.



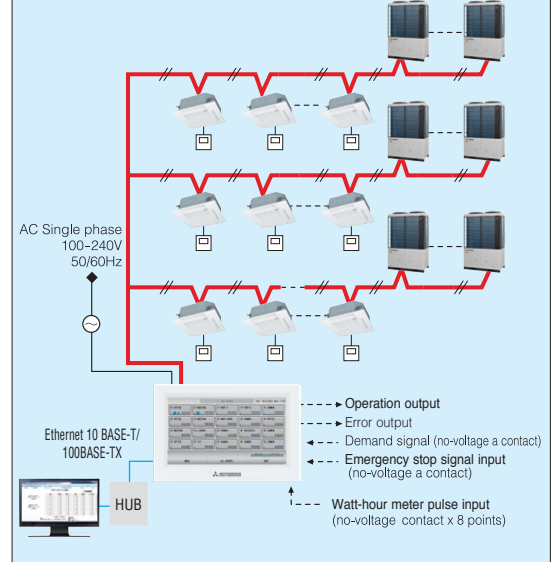
Control with PC is available by use of Microsoft Edge/Google chrome.

Indoor units can be controlled, scheduled, monitored and either individually, as groups or as blocks of groups with the following functions:

Control	Monitoring	Scheduling	Administration/Service
Run/Stop / Home leave	Operating state	Yearly schedule	Block definition, Floor layout
Mode (cool/heat/fan/dry/Auto)	Mode	Today's schedule	Group definition
Set temperature	Set temperature	Detailed daily schedule	Unit definition
Operation permitted/prohibited	Room temperature	Season setting	Time and date setting
Fan speeds	Operation permitted/prohibited		Alarm history
Air direction	Fan speed		Energy consumption calculation period
Filter sign reset	Air direction		Energy consumption, cumulative operation time
Demand control (3 steps)	Filter sign		Flap control setting
Emergency stop	Maintenance (1, 2 or back-up) Outdoor air temperature		Operation data monitoring Data logging (Run / Stop set temperature , room temperature , outdoor air temperature)

System diagram

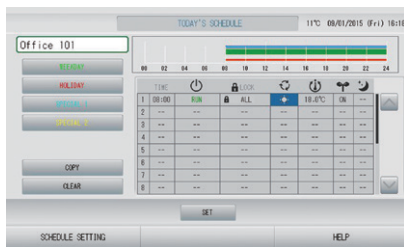
Indoor unit 128 units



PC requirements: Windows 10, Windows 11
 Monitor resolution 1280 x 1024 or higher.
 Web browser requirements: Microsoft Edge , Google Chrome

Schedule setting

For each group
 Schedule settings for each group are possible. The RUN/STOP/HOME LEAVE time, operation mode, remote control Lock/Unlock setting, temperature setting, energy setting, and silent mode can be set up to 16 times per day.

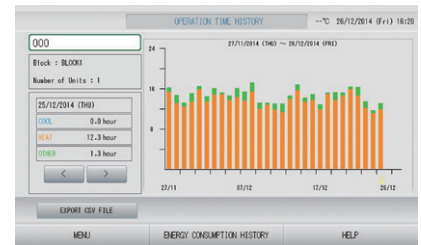


Yearly Schedule
 Schedule settings for a year are also possible. The weekday, holiday, special day 1 or special day 2 can be selected and set. Able to automatically update the yearly schedule.



Operation time history

Possible to check operation time history for cooling and heating separately.



Alarm history

A maximum of 300 records is displayed for the history of error occurrence and restoration in the unit of air-conditioner. It is possible to output the history data to a CSV data file.

Maintenance code

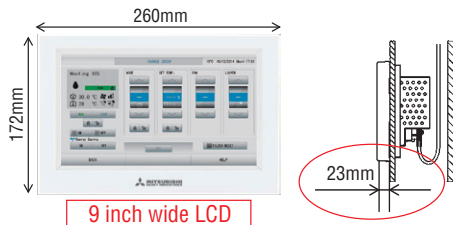
Able to show the maintenance code

Improved visibility

Compared to the old model the visible angle of the LCD has expanded and the visibility has improved.

High visibility

Increase in size from 7 to 9 inches



Contrast between five colours for icon display and black light base screen has achieved high visibility.

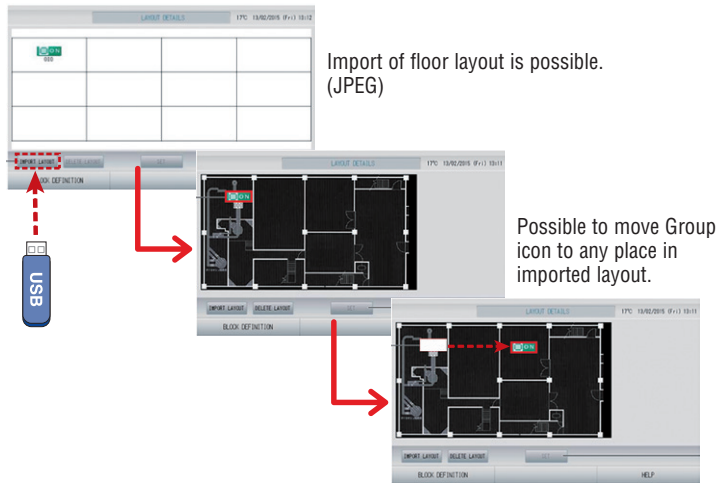
Models that can be connected has increased

Can now connect to Q-ton/ HMU. Can have easy centralized control over various modes



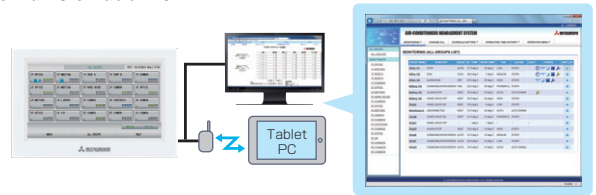
*When connecting to Q-ton, an interface(RCI-MDQE2) is necessary.

Block layout function



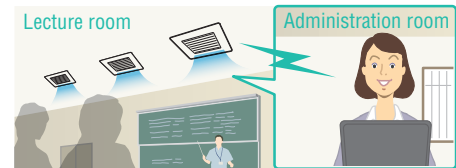
Web function

You can monitor and control up to 128 indoor units (Max.128 groups) from a PC or tablet PC.



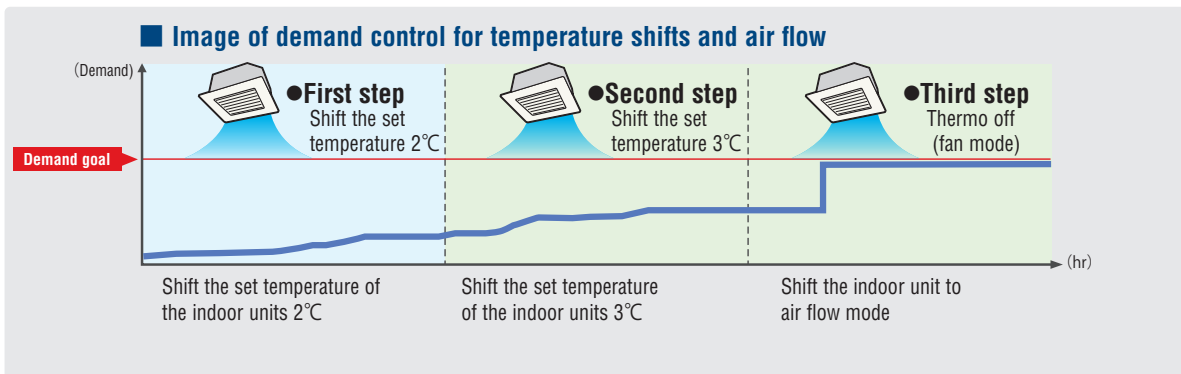
<Example>

Monitoring and operating air-conditioners in a lecture room of a university



New demand control function

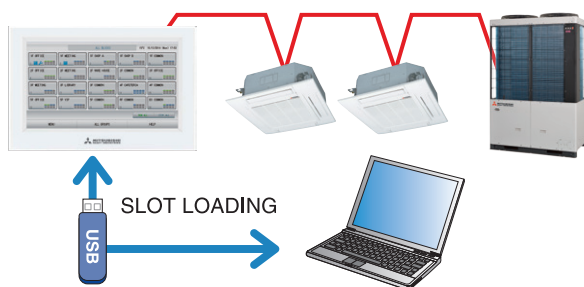
With the new demand control, temperature shifts between 1-9°C (Cooling or Drying ;1-9°C, Heating: -1--9°C), fan mode can be selected.



Electric power calculation function:

(for SC-SL4-BE3 only)

SC-SL4-BE3 gives electric power consumption data (kWh) for each indoor unit, each group, each SUPERLINK-II system, and each watt-hour meter input.



	SC-SL4-BE3
Export data by	USB / LAN
Calculation software	Included
Watt-hour meter pulse input (Maximum)	8
Max connectable indoor units	128

Item	Model	SC-SL4-AE3/SC-SL4-BE3
Ambient temperature during use		0 - 40°C
Power supply		1 Phase 100-240V 50/60Hz
Power consumption		9W
External dimensions (Height x Width x Depth)		172mm x 260mm x 23 (+70) mm
Net weight		2.0kg
Number of connectable units (indoor units)		up to 128 units
LCD touch panel		Colour LCD, 9 inches wide
Inputs	SL (Superlink) signal inputs	1 system (Superlink-II)
	Watt-hour meter pulse input*	8-point, pulse width 80ms or more
	Emergency stop signal input*	1 point, non-voltage a contact input continuous input (closed, forced stop)
	Demand signal input*	2 point, non-voltage a contact input continuous input (closed, demand control)
Outputs	Operation output	1 point, maximum rated current 40mA, DC24 V All units stop; Open, any unit operating; Close
	Error output	1 point maximum rated current 40mA, DC24 V Normal; closed. If even one unit is abnormal; Open (Open/closed can be changed)

* The receiving side power supply is DC 12V (10mA).

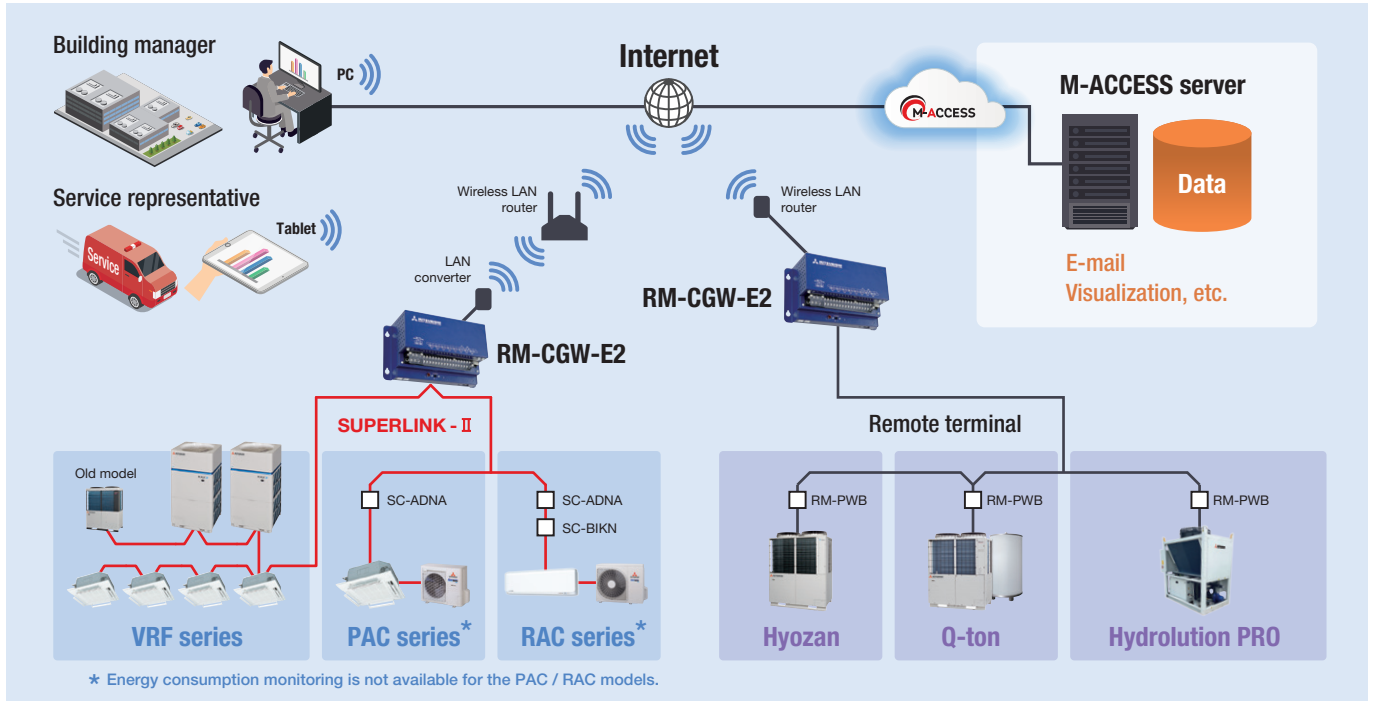
The air-conditioning charges calculations of this unit are not based on OIML, the international standard.

IoT Remote monitoring system

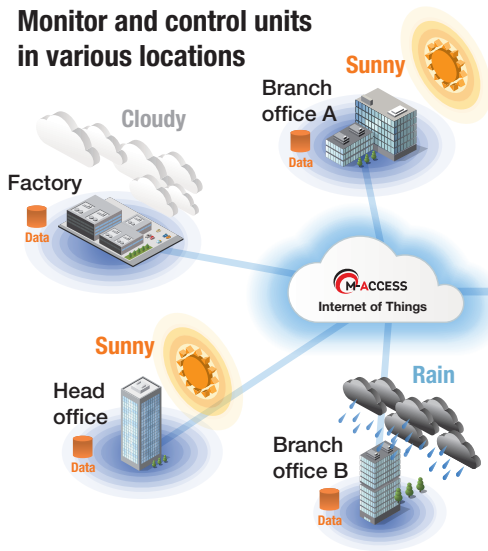


RM-CGW-E2 (H140 × W260 × D93mm)

The M-Access Cloud system is a remote monitoring solution for air-conditioning, leveraging IoT technology. The system supports the operation and management from both the software and hardware. The system could also be connected to products such as Q-ton / Hyozan / Hydrolution PRO.



Monitor and control units in various locations



From PC and tablets

Could monitor the conditions of the air-conditioning units in remote locations in real time.



The photos of the devices are an image

The M-Access is a subscription-based service

The M-Access is a subscription-based service with an annual fee applicable only to specific areas. For details on pricing and payment methods, please consult your local installer. If the service is available in your area, the annual fee can be paid directly through the M-Access portal screen.

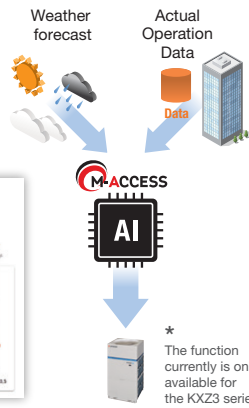
The screenshot shows the M-Access subscription payment screen. It includes a 'Subscribe to' section with a 'per year' dropdown, a 'Billed annually' section, a 'Subtotal' section, an 'Add promotion code' section, and a 'VAT (5% inclusive)' section. The 'Total due today' is displayed. The 'Pay with card' section includes an 'Email' field, a 'Card information' section with a VISA logo, a 'Cardholder name' field (TARO MITSUBISHI), a 'Country or region' dropdown (Japan), and a 'Subscribe' button.

Energy Saving Control Function

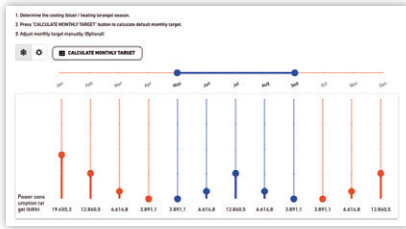
Energy saving control function automatically controls air-conditioners to save energy based on the user's building profiles and power consumption target. Operation is automatically adjusted while maintaining comfort and taking into account weather conditions and past operations learnt by M-ACCESS's AI program.

AI Demand Forecast

Predicts energy consumption based on operational data and weather forecasts

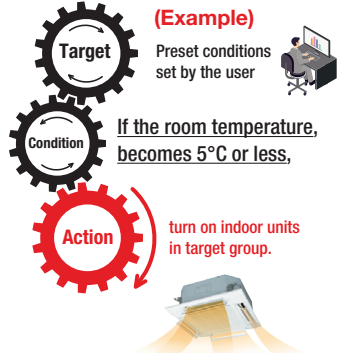
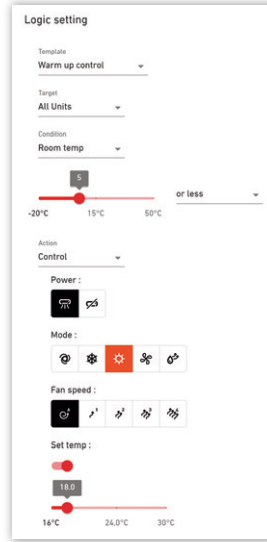


Energy saving control setting



Logic Control Function

Logic control function allows the user to preset actions that will be executed on targeted units and based on ambient or room temperatures. With the logic function, the air-conditioners automatically operate according to preset conditions set by the user.



Demand Control Function

The demand control function is a feature that controls the operation of air-conditioning units based on external input signals from a demand controller connected to the gateway. By connecting the gateway to the demand controller, the electricity demand of the indoor and outdoor units* can be managed.

* The function currently is only available for the KXZ3 series

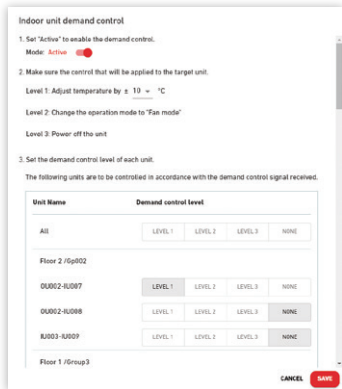
Various Scheduling Function

The M-access has various schedule function making central management of air-conditioners easier. The yearly calendar function provides wide flexibility to set up different operational schedules for weekday, holiday, and other specific occasions. Yearly calendar will be automatically updated according to your standard calendar settings.

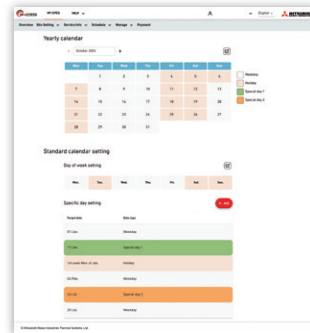
Demand control



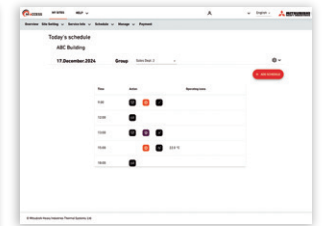
Demand control dialog (Indoor unit)



Yearly calendar

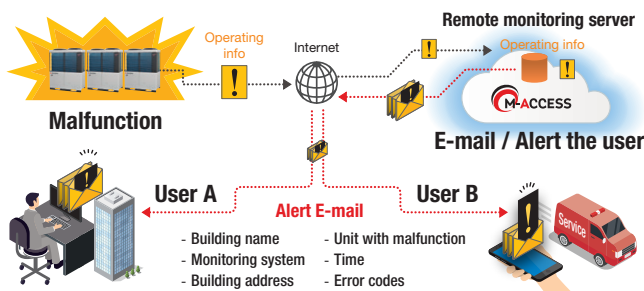


Schedule template



Error Notifications

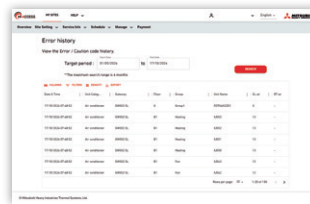
1. When detecting malfunction an alert is sent to the user by E-mail.
2. Could register multiple users as the sending address.
3. Could auto send the E-mail to the maintenance company.
4. For systems equipped with R32 safety devices, when a refrigerant leak is detected, an error notification is sent, and an alert is displayed on the screen to inform the user.



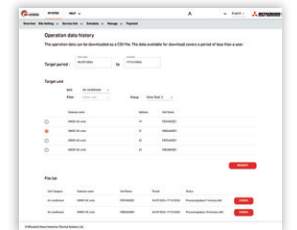
History & Export Data Worth 10 years

From the Operation data history Screen 10 years worth of operation data history for all unit on the site could be downloaded. Other information including the error / caution code and service history for all unit on the site could be referred.

Error history



Operation data history



INTESIS BMS Interface for Mitsubishi Heavy Industries Thermal Systems Air-Conditioners

All technical support, including specifying work, compatibility issues, product quality (repair and replacement issues), product liability issues and the required after sales service (including spare parts supply) will be provided by Intesis as it is an Intesis product.

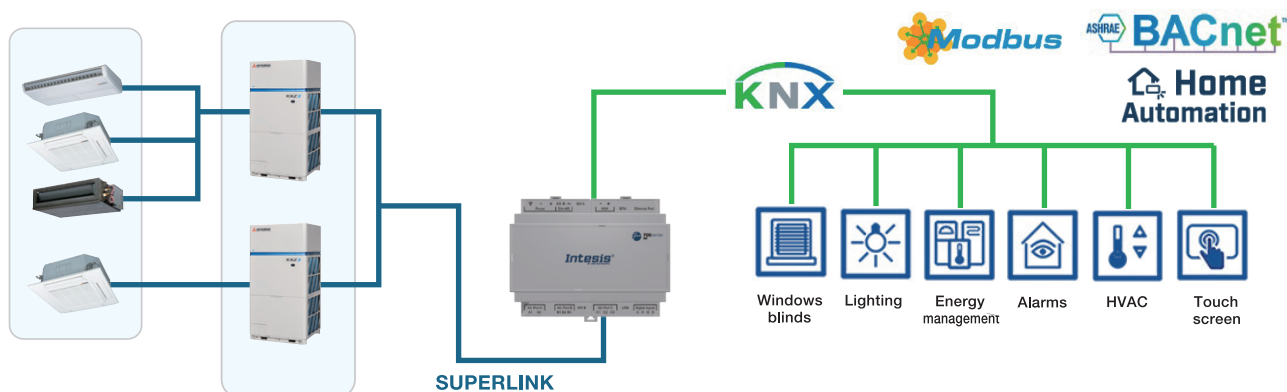
Product sales and delivery will be conducted by Intesis as well.

For details concerning such matters please directly contact Intesis.

Integration of Mitsubishi Heavy Industries Thermal Systems VRF in your KNX installation by Superlink

Direct Connection to VRF outdoor units

The gateway is directly connected to the outdoor unit's communication bus and enables the control of all the indoor units connected to the system. This allows not only the control and monitoring of the main AC functions but the access to some internal variables of the outdoor units.



- Scan: Automatic identification of the units presents on the VRF system.
- Energy consumption signals from each indoor unit are available.
- Outdoor unit's signals available for the integration.
- Supports both BACnet/IP and BACnet MS/TP physical layers.
- Configuration through IP or USB (Console) port.
- Easy integration with Intesis MAPS.
- Automatic updates for both Intesis MAPS and interface's firmware.

AC Cloud Control



PAC Model: INWMPMH1001R000

Please access the followings for details.

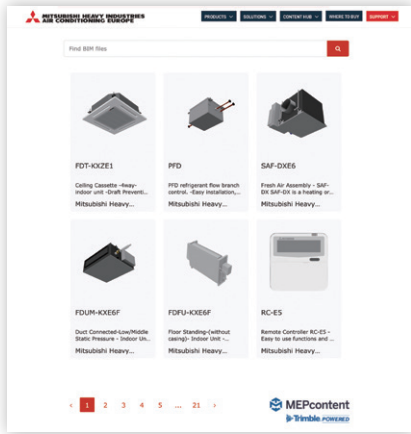
Intesis[™]
BY HMS NETWORKS

URL | <http://www.intesis.com>
email | info@intesis.com

Support tool

BIM (Building Information Modelling)

We can provide high quality Building Information Modelling (BIM) models in three formats:



1. Revit
2. 3D Cad
3. IFC

(IFC provides an interoperability solution between different software applications. The format establishes international standards to import and export building objects and their properties)

How and why BIM is used

BIM enables all disciplines of a project (Architects, engineers, quantity surveyors, contractors, clients etc..) to share a common model and data representing the project they are building.

- Better design visualization
- BIM reduces conflicts and changes during construction
- Increases overall accuracy of project documentation
- Improves cost estimating
- Improves energy analysis
- Simplifies reporting and scheduling



e-seasonal

Coming soon

e-seasonal is an application for our Air-cooled VRF Outdoor unit selection.

By selecting a combination of systems, location and occupancy profiles you can simulate:

1. Annual seasonal efficiency calculation
2. Annual energy consumption, cost and CO2 emission estimation
3. Comparison with multiple solutions including conventional heaters

It is possible to download to your PC for an offline version or using a web browser for an online version. e-seasonal provides solution suggestions according to your requested design conditions.



e-solution

Use our e-solution design software tool to find the latest specifications for our KXZ VRF systems. This software helps to simplify the processes to enable engineers to select the most suitable indoor units, outdoor units, pipework, controls & calculate any additional required refrigerants.

If you're an engineer interested in using e-solution, please register and download the e-solution via <https://mhiae.com/e-solution/> and be sure to download the latest updates when available.



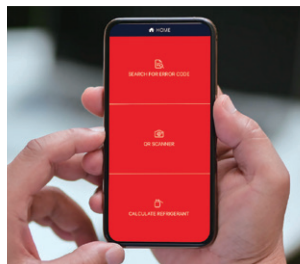
Please be aware that this tool was developed to cater for the design of two and three pipe systems, and specifies the appropriate models and sizes. It also generates wiring diagrams and engineering drawing to export to AutoCAD or PDF. This flexibility allows engineers to print selected design information and technical data to present to potential clients. As well as personalising the design information into their own formats and documents for future proposals.

MHI e-service App

MHI e-service application is available & free to download to both IOS and Android devices.

The application covers "Mitsubishi Heavy Industries Thermal Systems, Ltd" Air-conditioning systems: Split (RAC & PAC), VRF, Q-ton & AtoW.

This "MHI e-service" Application enables field engineers to make:
A quick search of the meaning of error codes that may appear when there is a malfunction in a "Mitsubishi Heavy Industries Thermal Systems, Ltd" Air-conditioning system, and the probable cause for the malfunction.
Scan the unit's QR code and search the meaning of error codes depending on the model type
Additional refrigerant charge calculation for Split (PAC, RAC) & VRF
Currently available in English & Spanish languages and Italian



To download the App go to:



Android™



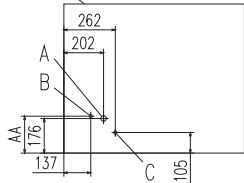
iPhone

Exterior dimensions

KXZ3 Heat pump systems

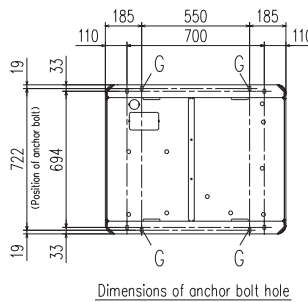
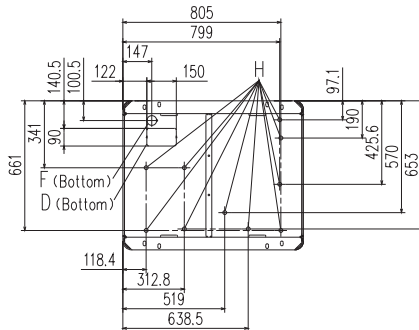
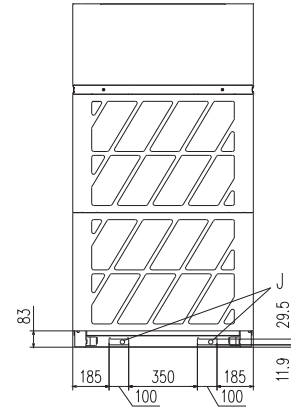
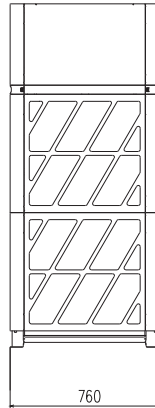
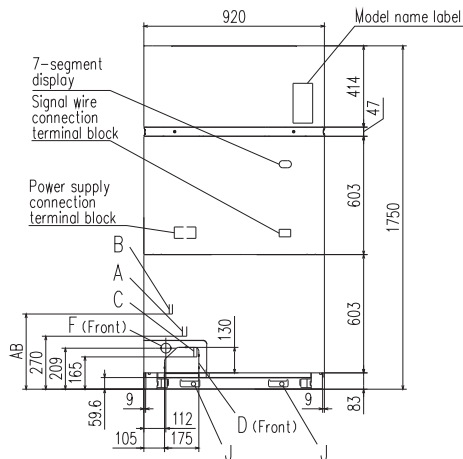
FDC224KXZE3, FDC280KXZE3, FDC335KXZE3

Back Dimensions of refrigerant gas/liquid/oil equalization pipe (ichnography)



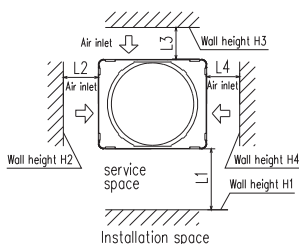
All measurements in mm.

Dimensions	MODEL 224, 280	335
AA	188.5	185.5
AB	383	377



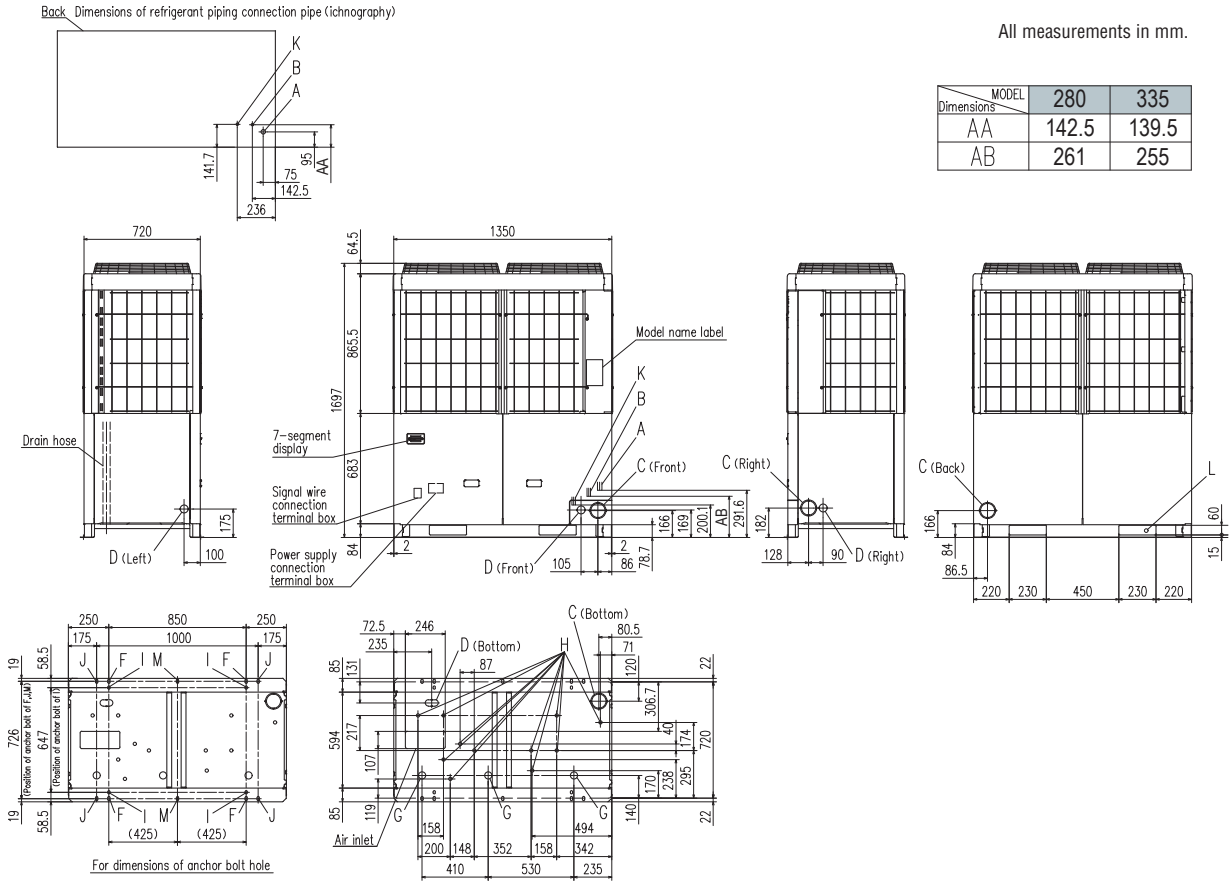
Mark	Content	224	280	335
A	Refrigerant gas pipe	ø19.05(Brazing)	ø22.22(Brazing)	
B	Refrigerant liquid pipe	ø9.52(Flare)		ø12.7(Flare)
C	Refrigerant oil equalization pipe	ø12.7(Flare)		
D	Knockout hole for pipes	175 x 130 (Front), 150 x 90 (Bottom)		
F	Knockout hole for power wiring	ø50		
G	Anchor bolt hole	M10 x 4 places		
H	Drain hole	ø20 x 10 places		
J	Hole for hanging	100 x 29.5		

Dimensions	Installation limitations		
	1	2	3
L1	500	500	Open
L2	10(50)	50	10
L3	300	100(300)	300
L4	10(50)	50	Open
H1	1500	1500	Open
H2	No limit	No limit	No limit
H3	500	500	No limit
H4	No limit	No limit	Open



1. Install in a space larger than that shown in the left table.
According to the installation conditions, secure sufficient additional space.
2. This installation example assumes operation at an ambient temperature under 43°C.
3. For use at higher ambient temperatures, install according to the dimension in parentheses.
4. If H1 or H3 exceeds the wall height limit in the table, H1/2 and H3/2 should be added to the L1 and L3 respectively.

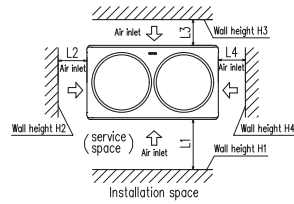
FDC280KXZE2, FDC335KXZE2



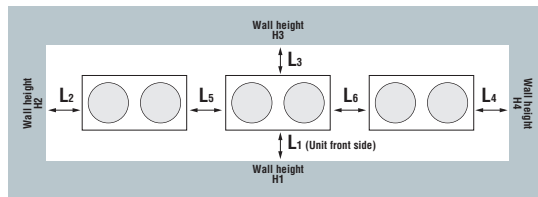
Mark	Content	280	335
A	Refrigerant gas piping connection pipe	ø22.22(Brazing)	ø25.4(Brazing)
B	Refrigerant liquid piping connection pipe	ø9.52(Flare)	ø12.7(Flare)
C	Refrigerant piping exit hole	ø88(or ø100)	
D	Power supply entry hole	ø50 (right · left · front), long hole 40 x 80 (bottom)	
F	Anchor bolt hole	M10 x 4 places	
G	Drain waste water hose hole	ø45 x 3 places	
H	Drain hole	ø20 x 11 places	
K	Refrigerant oil equalization piping connection pipe	ø9.52(Flare)	
L	Carrying in or hole for hanging	230 x 60	

Installation example		
Dimensions	1	2
L ₁	500	Open
L ₂	10(30)	10(30)
L ₃	100	100
L ₄	10(30)	Open
H ₁	1500	Open
H ₂	No limit	No limit
H ₃	1000	No limit
H ₄	No limit	Open

() :In case it is the promised installation location that the outdoor unit is used on conditions with the ambient temperature of 43°C or more.



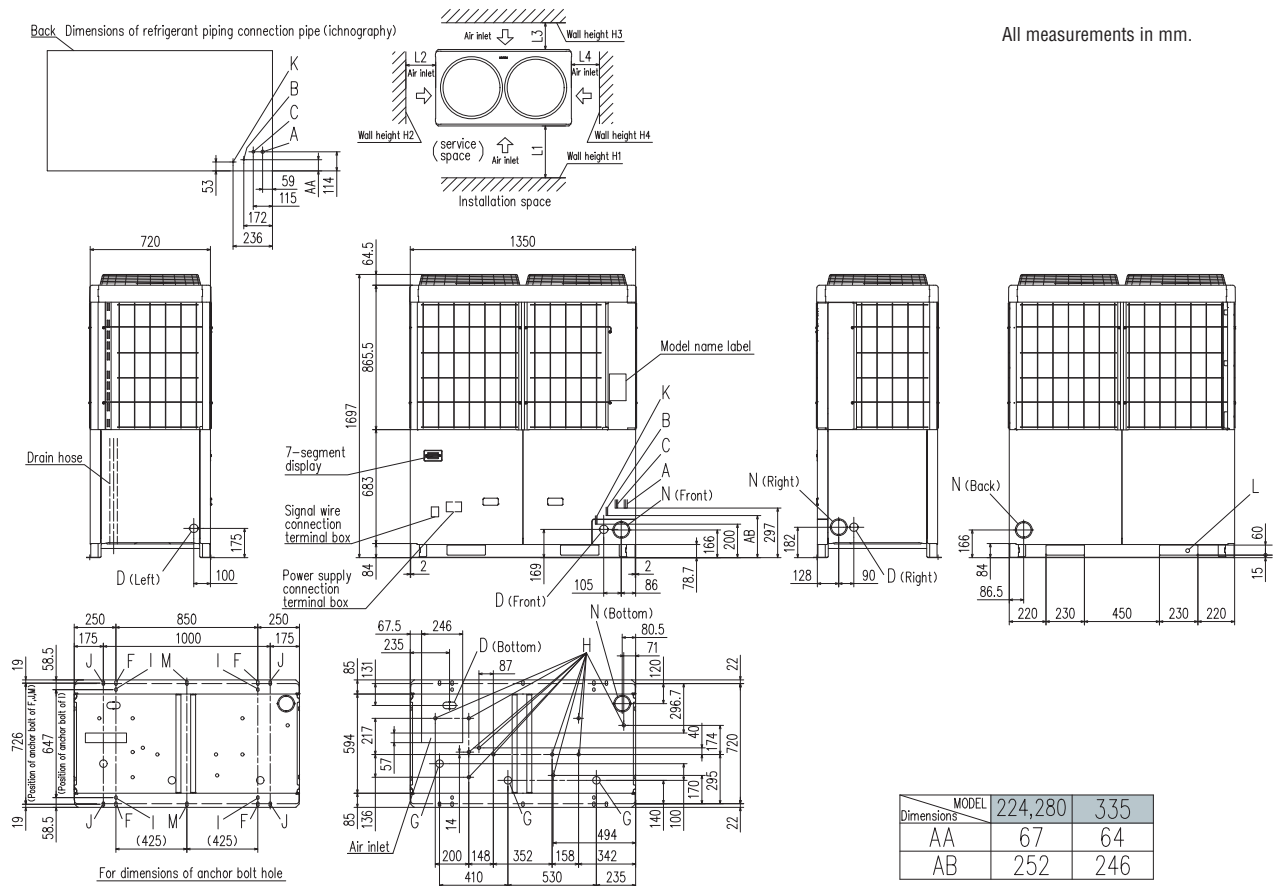
When more than one unit is installed



Installation example		
Dimensions	1	2
L ₁	500	Open
L ₂	10(30)	200
L ₃	100	300
L ₄	10(30)	Open
L ₅	10(30)	400
L ₆	10(30)	400
H ₁	1500	Open
H ₂	No limit	No limit
H ₃	1000	No limit
H ₄	No limit	Open

KXZ² Heat recovery 3-pipe systems

FDC224KXZRE2, FDC280KXZRE2, FDC335KXZRE2



All measurements in mm.

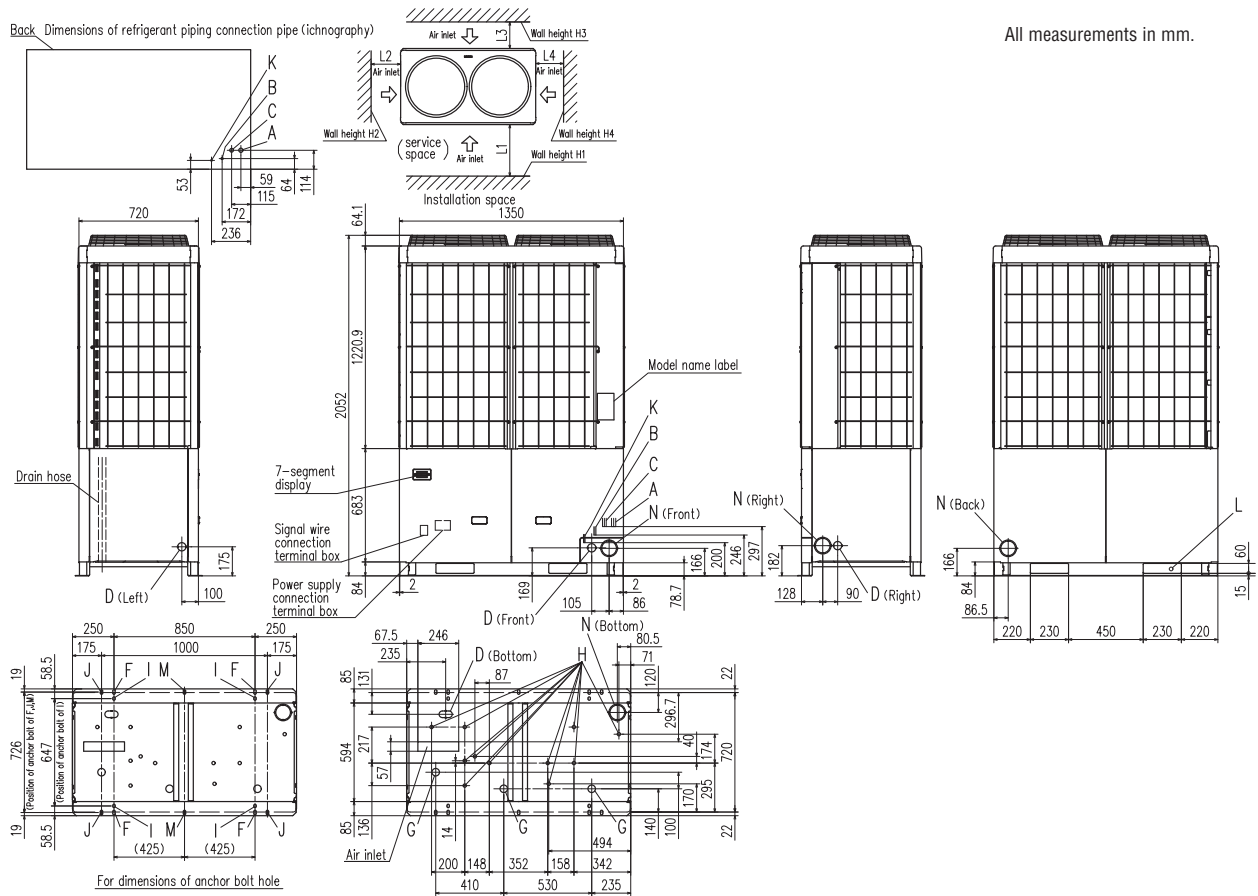
Mark	Content	224	280	335
A	Refrigerant suction gas piping connection entrance	ø19.05(Brazing)	ø22.22(Brazing)	ø25.4(Brazing)
B	Refrigerant liquid piping connection entrance	ø9.52(Flare)		ø12.7(Flare)
C	Refrigerant discharge gas piping connection entrance	ø15.88(Brazing)	ø19.05(Brazing)	
D	Power supply entry hole	ø50(right · left · front),long hole 40x80(Bottom)		
F	Anchor bolt hole	M10 x 4 places		
G	Drain waste water hose hole	ø45 x 3 places		
H	Drain hole	ø20 x 11 places		
K	Refrigerant oil equalization piping connection entrance	ø9.52(Flare)		
L	Carrying in or hole for hanging	230x60		
N	Refrigerant piping exit hole	ø88(or ø100)		

Installation example		
Dimensions	1	2
L ₁	500	Open
L ₂	10(30)	10(30)
L ₃	100	100
L ₄	10(30)	Open
H ₁	1500	Open
H ₂	No limit	No limit
H ₃	1000	No limit
H ₄	No limit	Open

() :In case it is the promised installation location that the outdoor unit is used on conditions with the ambient temperature of 43°C or more.

KXZ² Heat recovery 3-pipe systems

FDC400KXZRE2, FDC450KXZRE2, FDC475KXZRE2, FDC500KXZRE2, FDC560KXZRE2, FDC615KXZRE2, FDC670KXZRE2



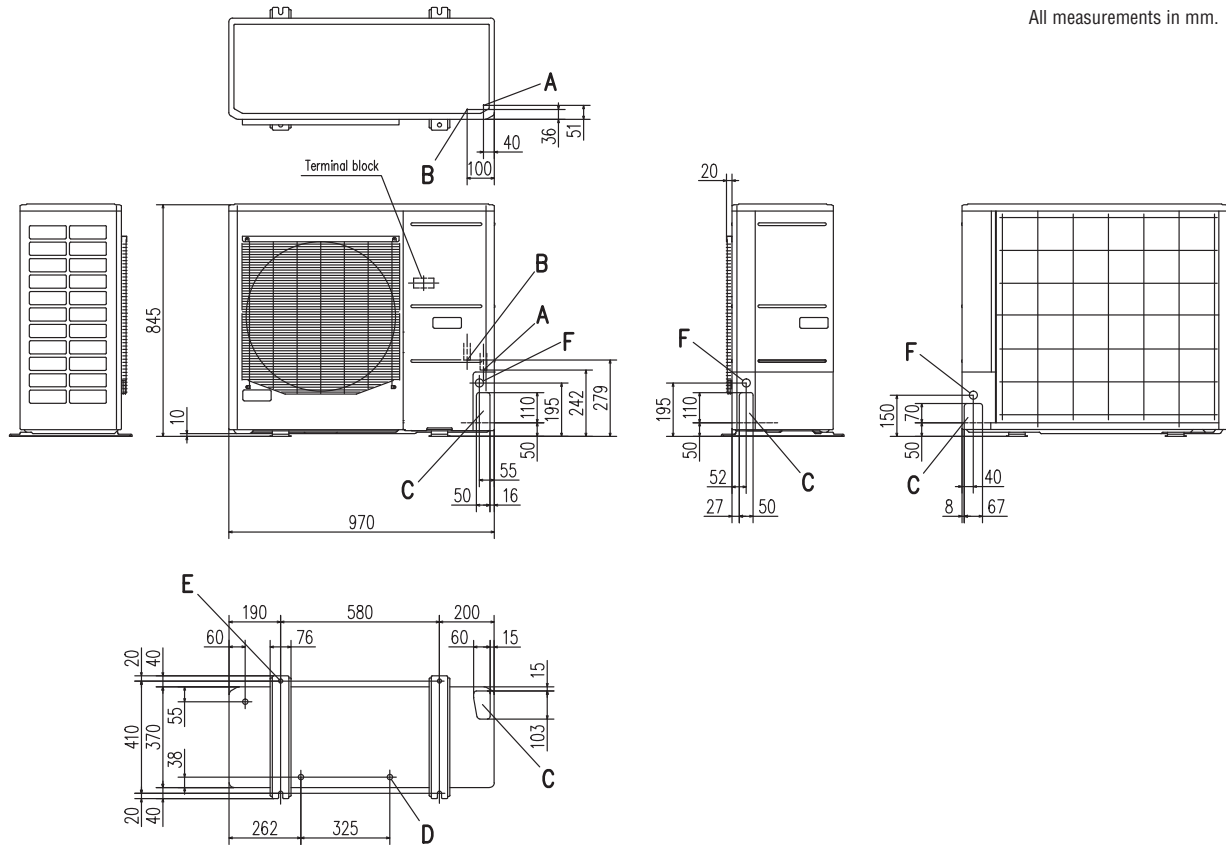
Mark	Content	400	450	475	500	560	615	670
A	Refrigerant suction gas piping connection entrance	ø25.4 (Brazing)	ø28.58(Brazing)					
B	Refrigerant liquid piping connection entrance	ø12.7(Flare)						
C	Refrigerant discharge gas piping connection entrance	ø22.22(Brazing)					ø25.4(Brazing)	
D	Power supply entry hole	ø50(right · left · front),long hole 40x80(Bottom)						
F	Anchor bolt hole	M10 x 4 places						
G	Drain waste water hose hole	ø45 x 3 places						
H	Drain hole	ø20 x 11 places						
K	Refrigerant oil equalization piping connection pipe	ø9.52(Flare)						
L	Carrying in or hole for hanging	230x60						
N	Refrigerant piping exit hole	ø88(or ø100)						

Installation example		
Dimensions	1	2
L ₁	500	Open
L ₂	10(30)	10(30)
L ₃	100	100
L ₄	10(30)	Open
H ₁	1500	Open
H ₂	No limit	No limit
H ₃	1000	No limit
H ₄	No limit	Open

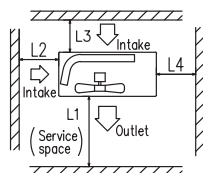
() :In case it is the promised installation location that the outdoor unit is used on conditions with the ambient temperature of 43°C or more.

Micro KXZ Heat pump systems

FDC121KXZEN1-W, FDC140KXZEN1-W, FDC155KXZEN1-W
 FDC121KXZES1-W, FDC140KXZES1-W, FDC155KXZES1-W



Mark	Content	
A	Service valve connection (gas side)	ø15.88 (5/8") (Flare)
B	Service valve connection (liquid side)	ø9.52 (3/8") (Flare)
C	Pipe/cable draw-out hole	
D	Drain discharge hole	ø20 x 3 places
E	Anchor bolt hole	M10 x 4 places
F	Cable draw-out hole	ø30 x 3 places



	I	II	III
L1	Open	Open	500
L2	300	5	Open
L3	150	300	150
L4	5	5	5

Minimum installation space

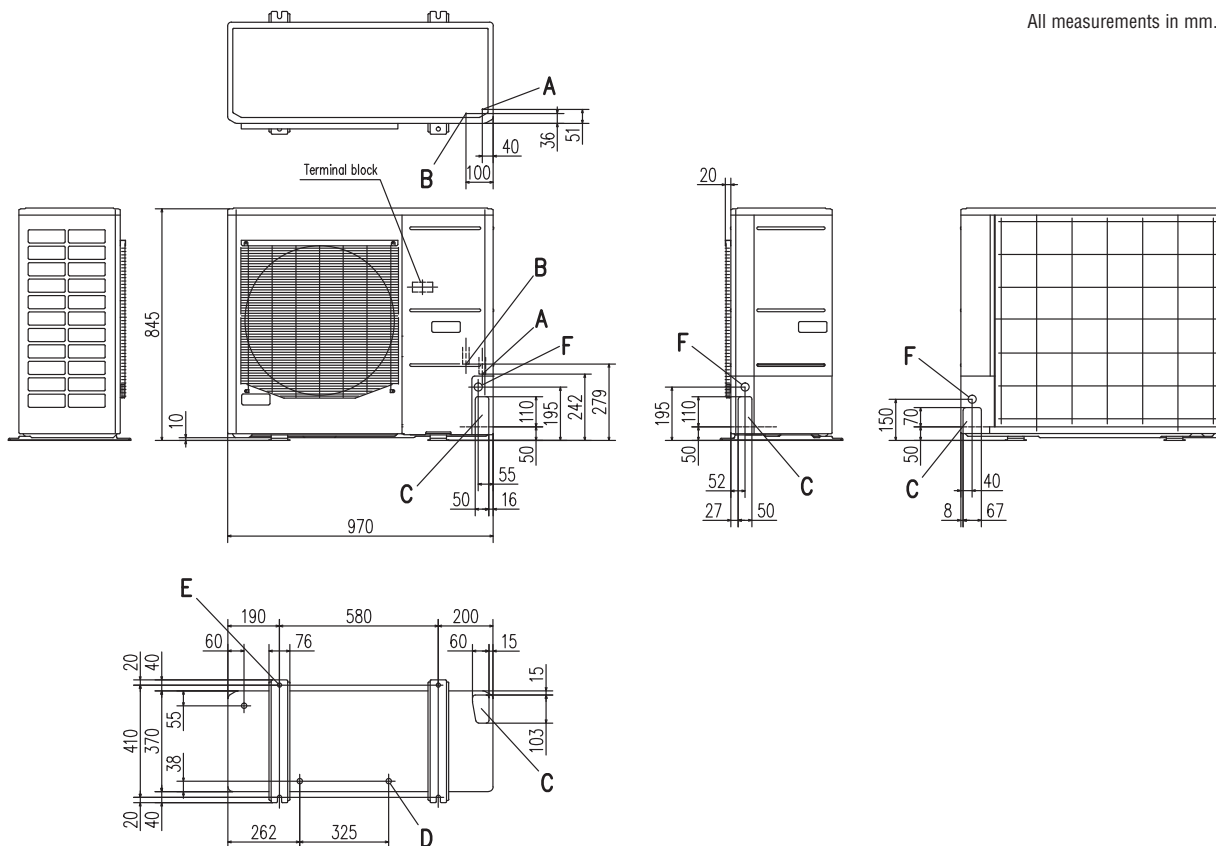
Notes:

- (1) It must not be surrounded by walls on the four sides.
- (2) The unit must be fixed with anchor bolts. An anchor bolt must not protrude more than 15mm.
- (3) Where the unit is subject to strong winds, lay it in such a direction that the blower outlet faces perpendicularly to the dominant wind direction.
- (4) Leave 1m or more space above the unit.
- (5) A wall in front of the blower outlet must not exceed the units height.
- (6) The model name label is attached on the lower right corner of the front panel.

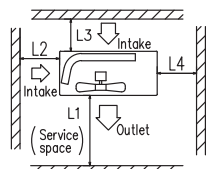
Micro KXZ Heat pump systems

FDC121KXZEN1, FDC140KXZEN1, FDC155KXZEN1
 FDC121KXZES1, FDC140KXZES1, FDC155KXZES1

All measurements in mm.



Mark	Content	
A	Service valve connection (gas side)	ø15.88 (5/8") (Flare)
B	Service valve connection (liquid side)	ø9.52 (3/8") (Flare)
C	Pipe/cable draw-out hole	
D	Drain discharge hole	ø20 x 3 places
E	Anchor bolt hole	M10 x 4 places
F	Cable draw-out hole	ø30 x 3 places



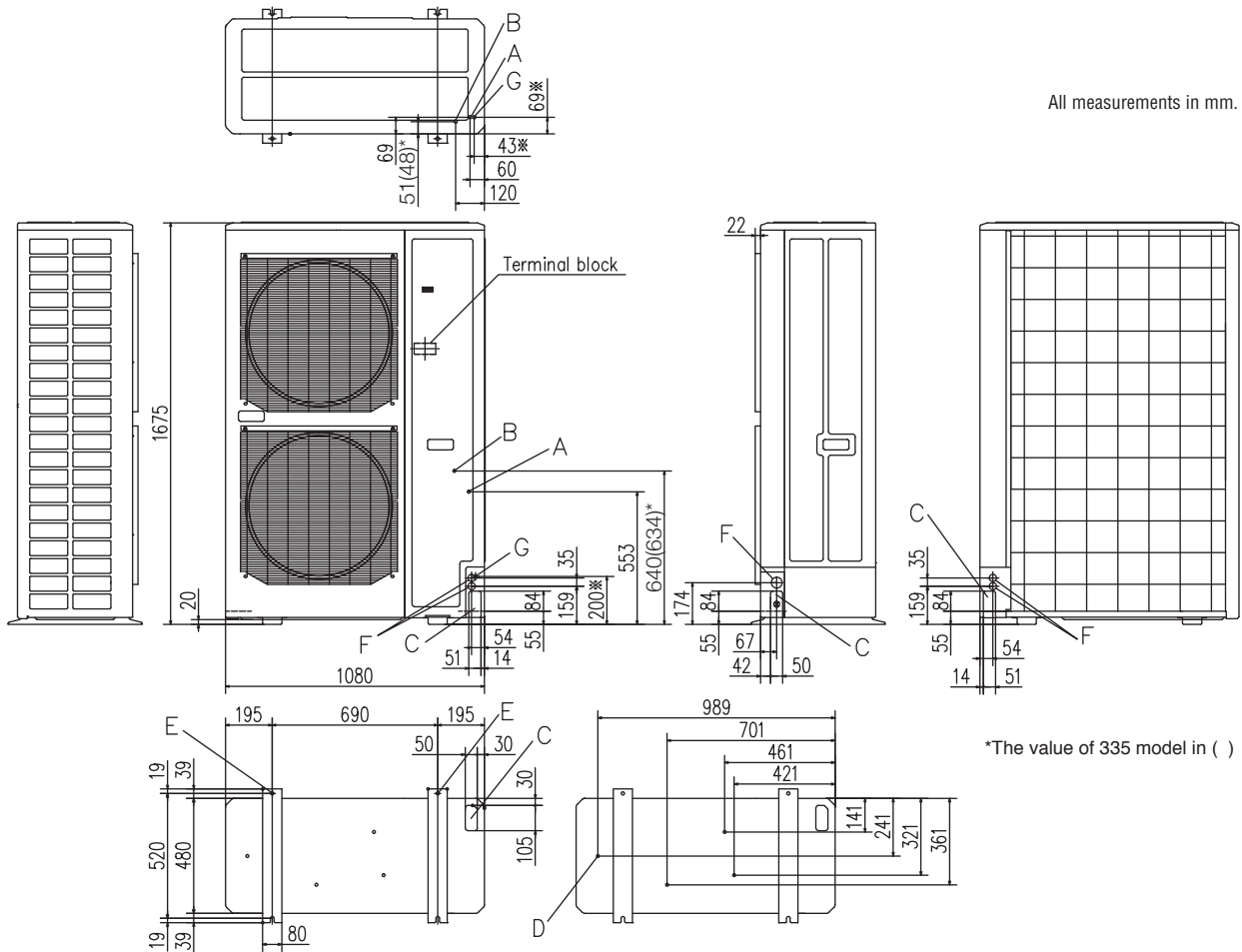
	I	II	III
L1	Open	Open	500
L2	300	5	Open
L3	150	300	150
L4	5	5	5

Minimum installation space

- Notes:
- (1) It must not be surrounded by walls on the four sides.
 - (2) The unit must be fixed with anchor bolts. An anchor bolt must not protrude more than 15mm.
 - (3) Where the unit is subject to strong winds, lay it in such a direction that the blower outlet faces perpendicularly to the dominant wind direction.
 - (4) Leave 1m or more space above the unit.
 - (5) A wall in front of the blower outlet must not exceed the units height.
 - (6) The model name label is attached on the lower right corner of the front panel.

Micro KXZ Heat pump systems

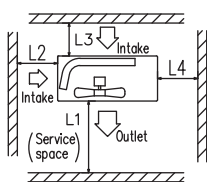
FDC224KXZME1, FDC280KXZME1, FDC335KXZME1A



Mark	Content	224	280	335
A	Service valve connection of the attached connecting pipe (gas side)	ø19.05 (3/4") (Flare)	ø19.05 (3/4") (Flare)	ø19.05 (3/4") (Flare)
B	Service valve connection (liquid side)	ø9.52 (3/8") (Flare)	ø9.52 (3/8") (Flare)	ø12.7 (1/2") (Flare)
C	Pipe/cable draw-out hole	4places	4places	4places
D	Drain discharge hole	ø20 x 4places	ø20 x 4places	ø20 x 4places
E	Anchor bolt hole	M10 x 4places	M10 x 4places	M10 x 4places
F	Cable draw-out hole	ø30 x 2places (front) ø45 (side) ø30 x 2places (back)	ø30 x 2places (front) ø45 (side) ø30 x 2places (back)	ø30 x 2places (front) ø45 (side) ø30 x 2places (back)
G	Connecting position of the local pipe. (gas side)	ø19.05 (3/4")(Brazing)	ø22.22 (7/8")(Brazing)	ø25.4 (1")(Brazing)

Notes:

- (1) It must not be surrounded by walls on the four sides.
- (2) The unit must be fixed with anchor bolts. An anchor bolt must not protrude more than 15mm.
- (3) Where the unit is subject to strong winds, the blower outlet should face perpendicularly to the dominant wind direction.
- (4) Leave a 1m or more space above the unit.
- (5) A wall in front of the blower outlet must not exceed the units height.
- (6) The model name label is attached on the lower right corner of the front.
- (7) Connect the Service valve with local pipe by using the pipe of the attachment.(Gas side only)
- (8) Mark ※ shows the connecting position of the local pipe.(Gas side only)



Minimum installation space

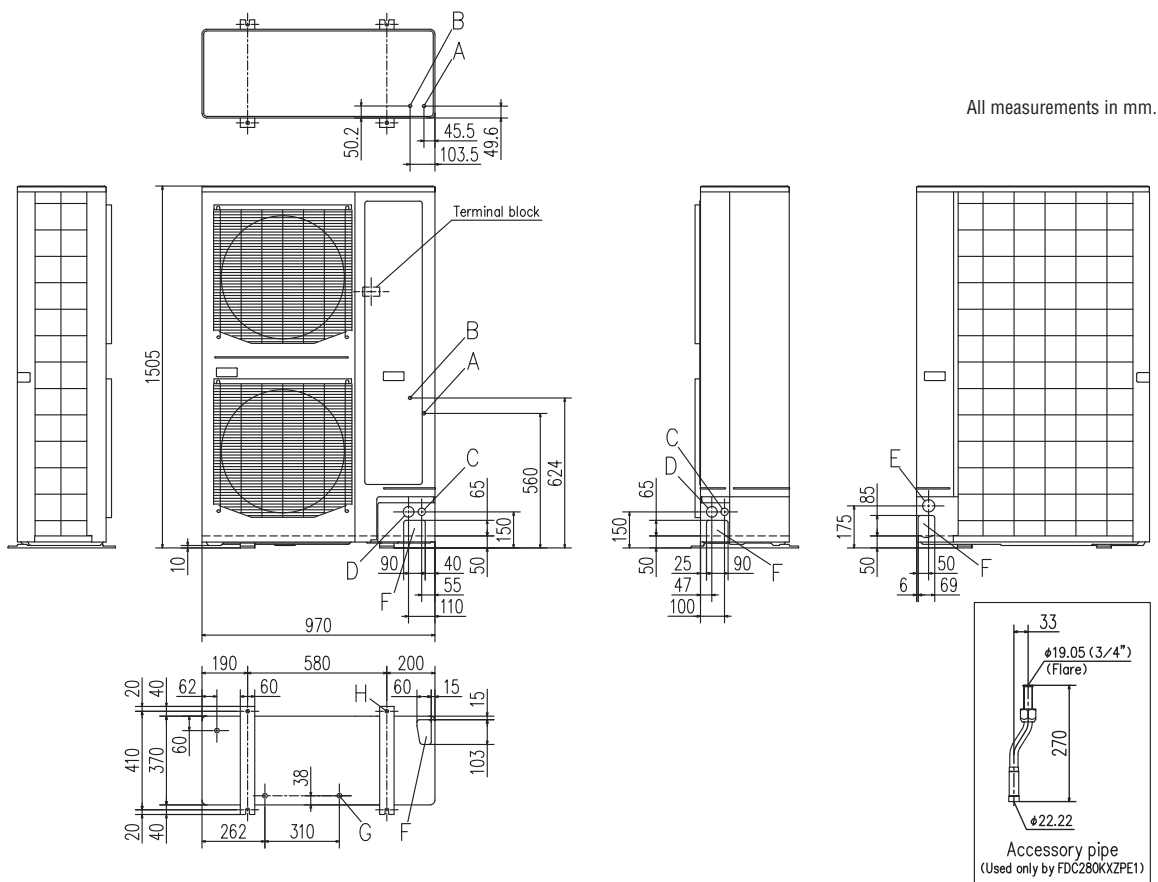
	I	II	III
L1	Open	Open	1500(500) ^{*1}
L2	300	5	Open
L3	300	300	300
L4	250(5) ^{*2}	250(5) ^{*2}	250(5) ^{*2}

Notes:

- *1 Figure in () shows the value applicable when the flex flow adaptor is installed.
- *2 Under the setting condition as specified in (), it is necessary to secure 250 mm for the dimension L4 when replacing the compressor. Establish this for example by moving the unit during the work.

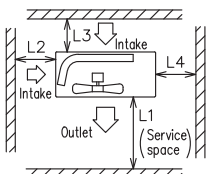
KXZ Lite Heat pump systems

FDC224KXZPE1, FDC280KXZPE1



Mark	Content	
A	Service valve connection of the attached connecting pipe (gas side)	ø19.05 (3/4") (Flare)
B	Service valve connection (liquid side)	ø9.52 (3/8") (Flare)
C	Cable draw-out hole (front · side)	ø30 x 2places
D	Cable draw-out hole (front · side)	ø45 x 2places
E	Cable draw-out hole (back)	ø50
F	Pipe/cable draw-out hole	4places
G	Drain discharge hole	ø20 x 3places
H	Anchor bolt hole	M10 x 4places

- Notes:
- (1) It must not be surrounded by walls on the four sides.
 - (2) The unit must be fixed with anchor bolts.
An anchor bolt must not protrude more than 15mm.
 - (3) Where the unit is subject to strong winds, lay it in such a direction that the blower outlet faces perpendicularly to the dominant wind direction.
 - (4) Leave 1m or more space above the unit.
 - (5) A wall in front of the blower outlet must not exceed the units height.
 - (6) The model name label is attached on the lower right corner of the front panel.
 - (7) Connect the Service valve with local pipe by using the pipe of the attachment.
(Gas side only) (Accessory pipe is used only by FDC280KXZPE1)
 - (8) Regarding attaching the pipe of accessories, refer to an attached installation manual.



Minimum installation space

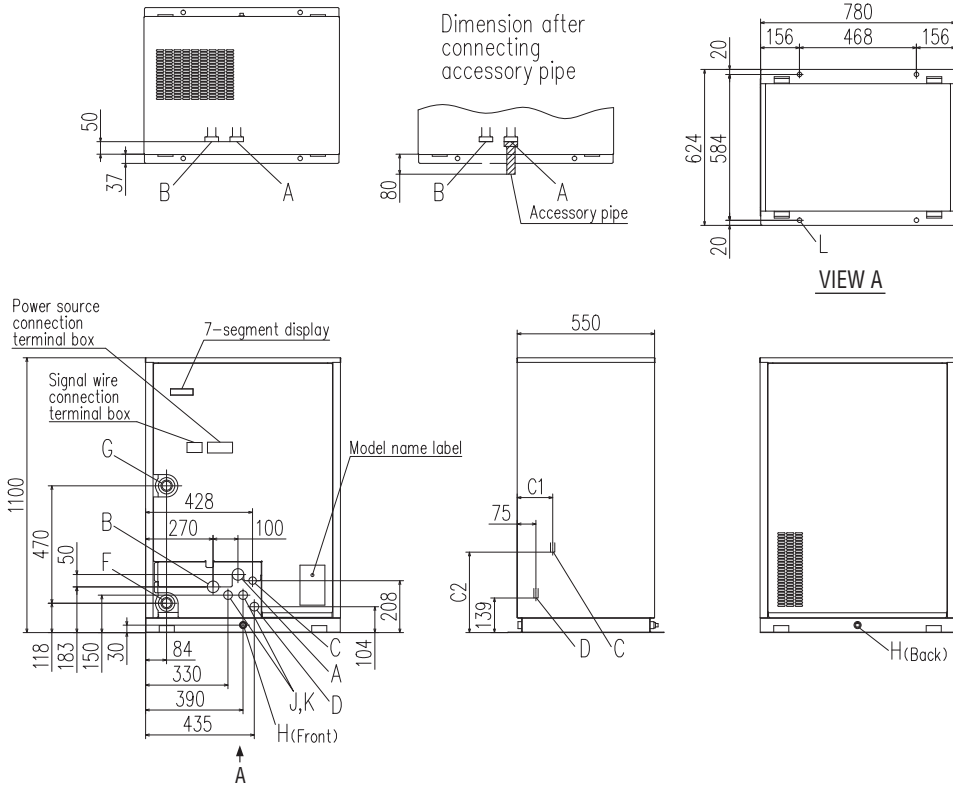
	I	II	III
L1	Open	Open	500
L2	300	5	Open
L3	150	300	150
L4	250 (5)*1	250 (5)*1	250 (5)*1

- Notes:
- *1 At the time of the installation at () dimension, Secure space of 250mm in lateral (L4) by unit movement at the time of the exchange work of the compressor.

KXZ Water cooled series

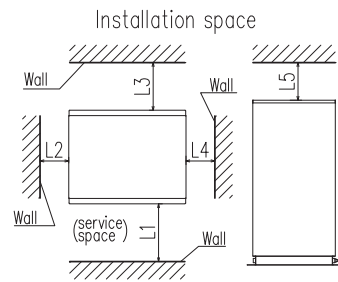
FDC224KXZE1, FDC280KXZE1, FDC335KXZE1

All measurements in mm.



Mark	Content	
A	High/low gas line	Refer to piping size
B	-	Not to use.
C	Liquid line	Refer to piping size
D	Oil equalization line	Refer to piping size
F	Water inlet	R1 1/4
G	Water outlet	R1 1/4
H	Drain outlet	Rp 1/2,2places
J	Power source intake	ø35
K	Signal wiring intake	ø35
L	Anchor bolt hole	ø18,4places

Dimension	FDC-KXZE1	
		224,280
C1	142	139
C2	322	316



Piping size

	FDC224KXZE1	FDC280KXZE1	FDC335KXZE1	Connection method
High/low gas line	ø19.05	ø22.22	ø25.4	Flange
Liquid line	ø9.52	ø9.52	ø12.7	Flare
Oil equalization line	ø9.52	ø9.52	ø9.52	

Dimension	Installation example	1
L1		600 or more
L2		20 or more
L3		500 or more
L4		20 or more
L5		300 or more

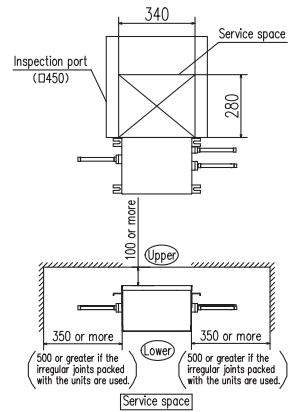
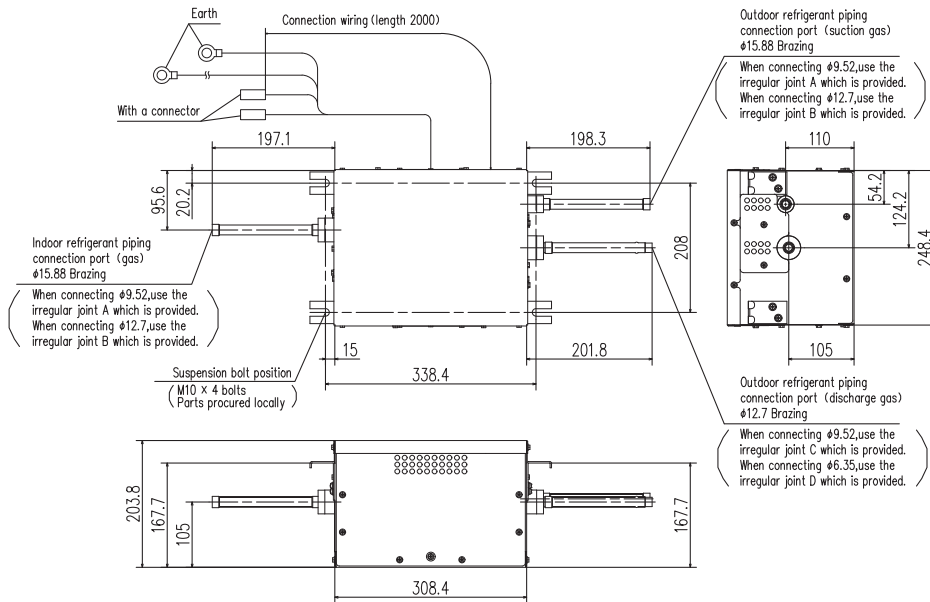
PFD refrigerant flow branch control

less than 11.2kW / less than 18.0kW

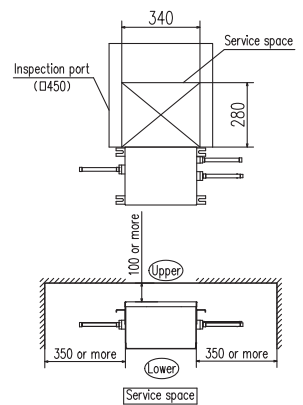
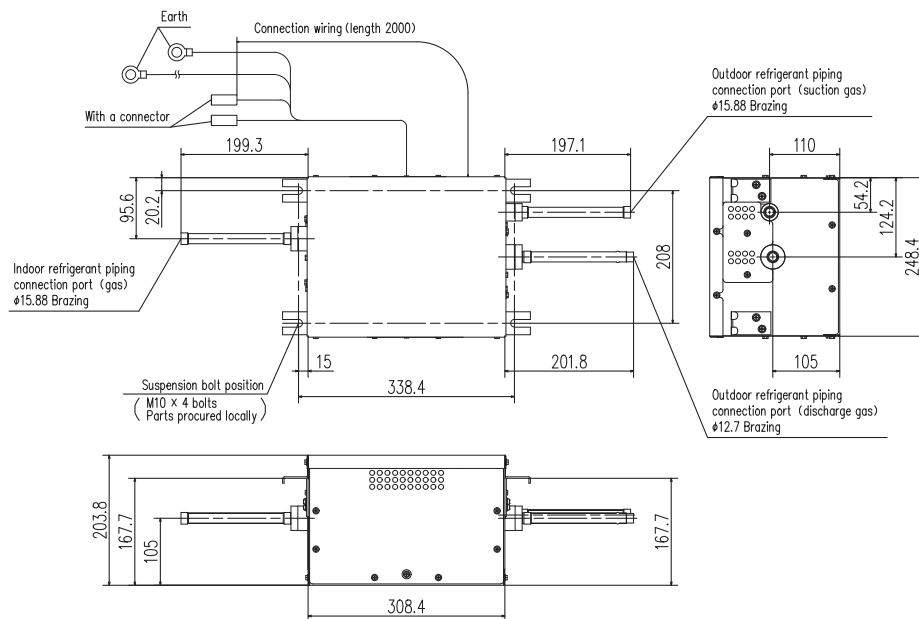
PFD1124-E, PFD1804-E

All measurements in mm.

PFD1124-E



PFD1804-E



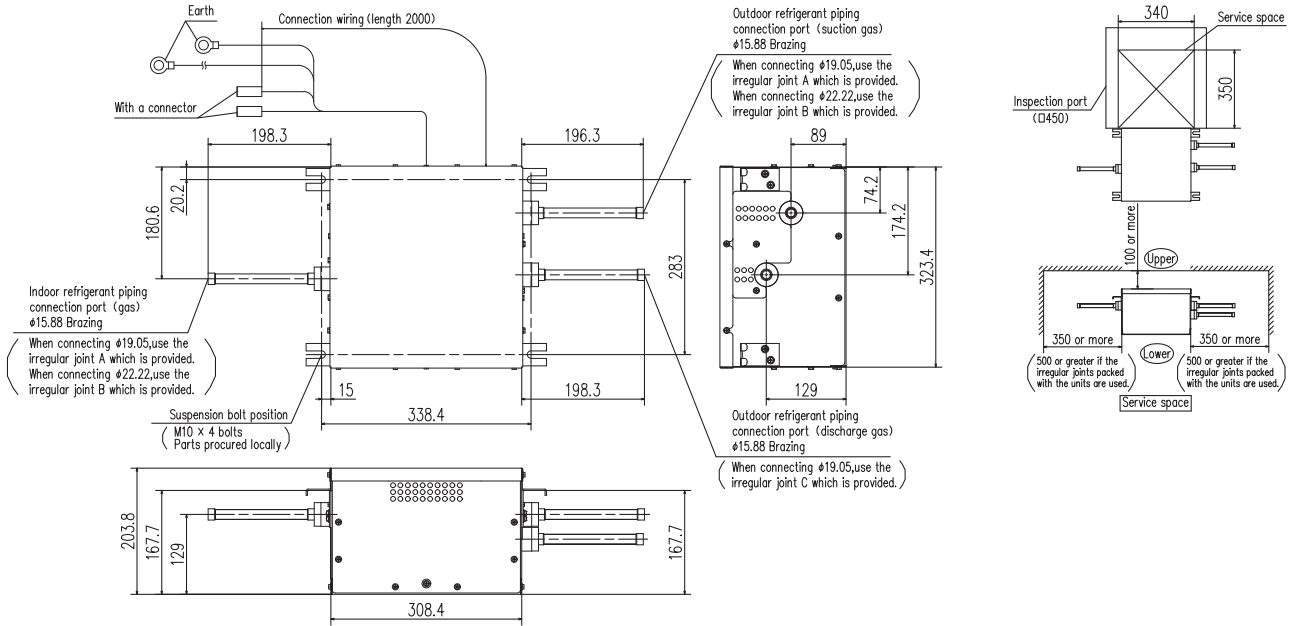
PFD refrigerant flow branch control

28.0kW or less / less than 37.1kW (less than 11.2kW x 4 branches)

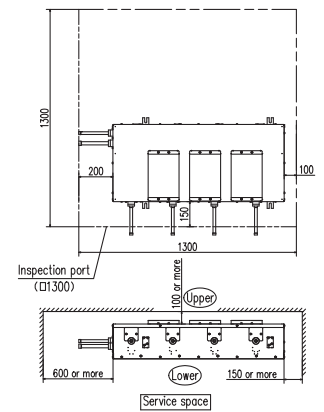
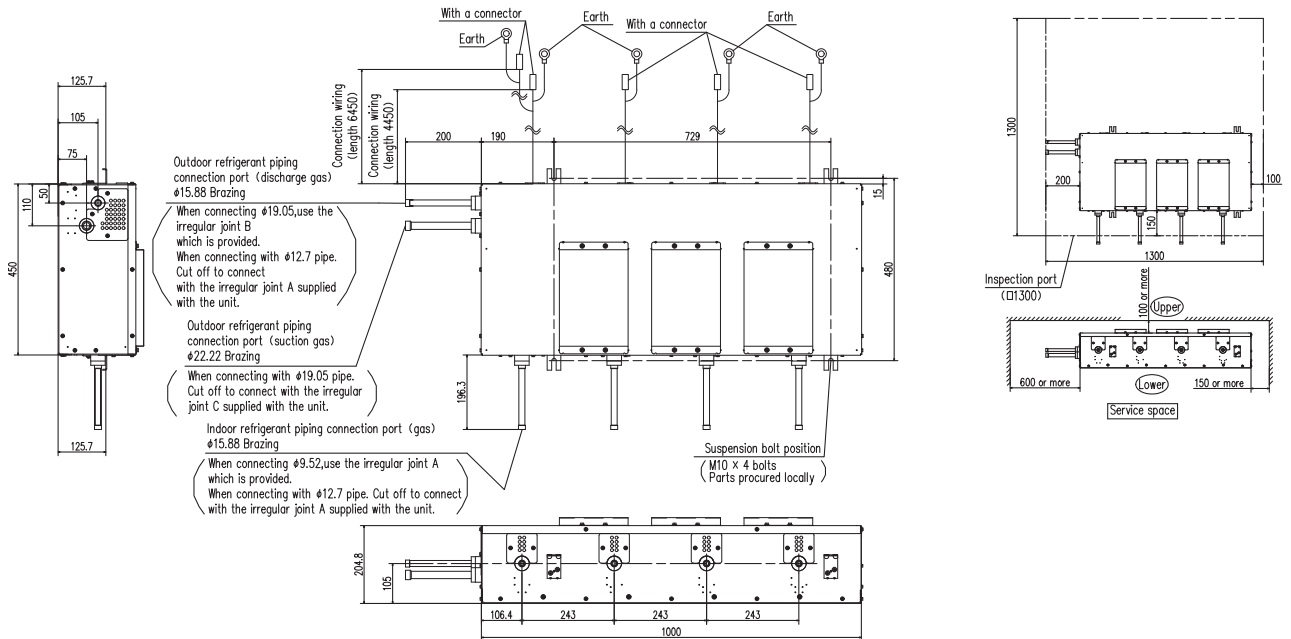
PFD2804-E, PFD1124x4-E

All measurements in mm.

PFD2804-E



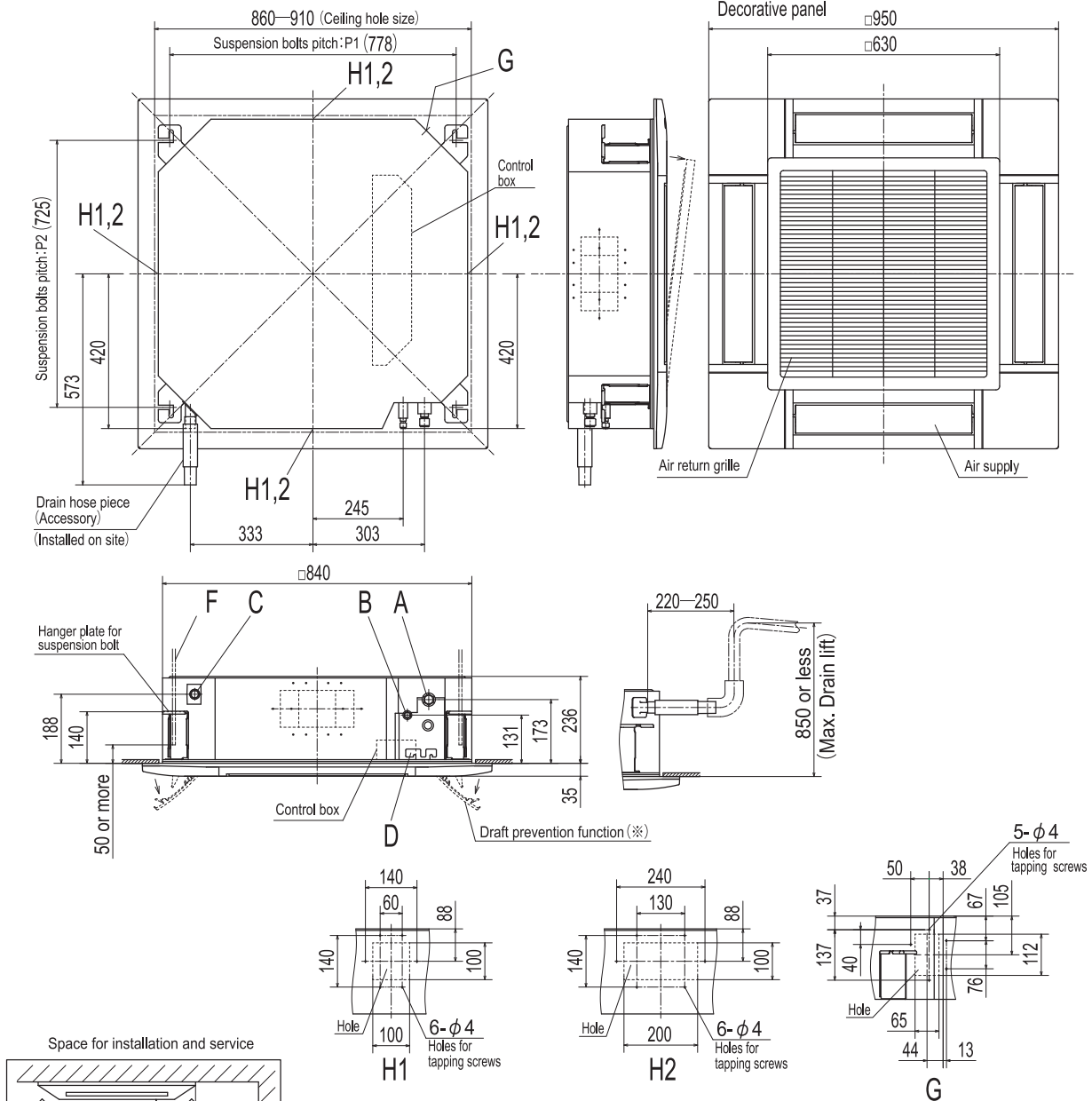
PFD1124X4-E



Ceiling Cassette - 4way - FDT

FDT28KXZE3-W, FDT36KXZE3-W, FDT45KXZE3-W, FDT56KXZE3-W, FDT71KXZE3-W

All measurements in mm.



Make a space of 4000 or more between the units when installing more than one.

- Notes
- (1) The model name label is attached to the control box lid.
 - (2) Suspension bolt pitch P1,P2 is adjustable by a pattern of the right table.
 - (3) Draft prevention function (※) is provided on the panel T-PSAE-5CW-E, T-PSAE-5CB-E only.

Suspension bolt pitch range

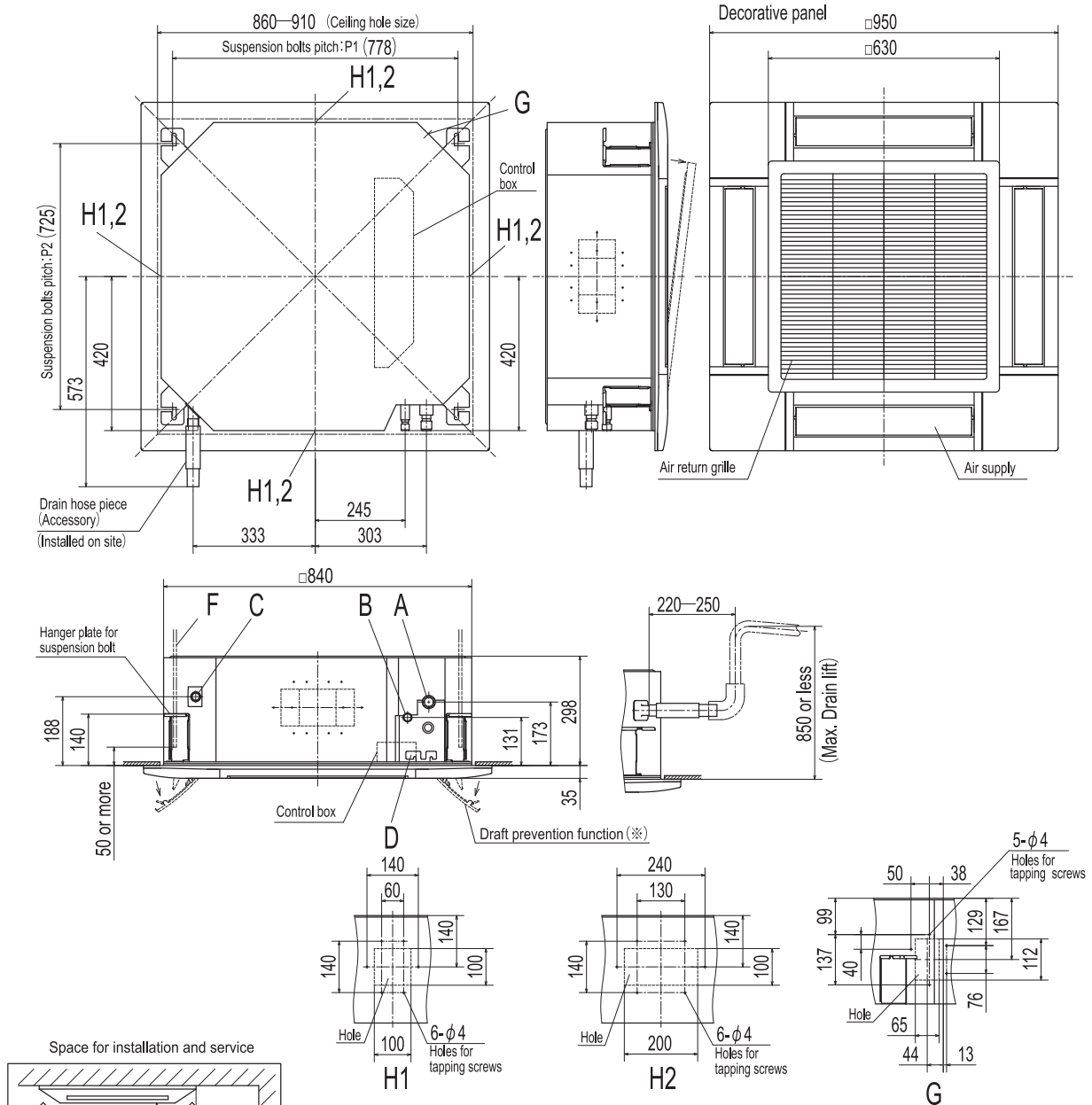
Symbol Pattern	P1	P2
1	770	725-770
2	770-800	725

Symbol	Content			
	Model	28	36,45,56	71
A	Gas piping	φ9.52(3/8") (Flare)	φ12.7(1/2") (Flare)	φ15.88(5/8") (Flare)
B	Liquid piping	φ6.35(1/4") (Flare)	φ9.52(3/8") (Flare)	
C	Drain piping	VP25 (O.D.32)		
D	Hole for wiring			
F	Suspension bolts	M10 or M8		
G	Outside air opening for ducting	(Knock out)		
H1	Air outlet opening for ducting	φ 125 (Knock out)		
H2		φ 200 (Knock out)		

Ceiling Cassette - 4way - FDT

FDT90KXZE3-W, FDT112KXZE3-W, FDT140KXZE3-W, FDT160KXZE3-W

All measurements in mm.



Make a space of 500 or more between the units when installing more than one.

- Notes (1) The model name label is attached to the control box lid.
 (2) Suspension bolt pitch P1,P2 is adjustable by a pattern of the right table.
 (3) Draft prevention function (※) is provided on the panel T-PSAE-5CW-E , T-PSAE-5CB-E only.

Suspension bolt pitch range

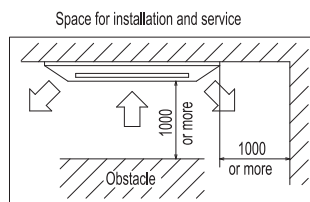
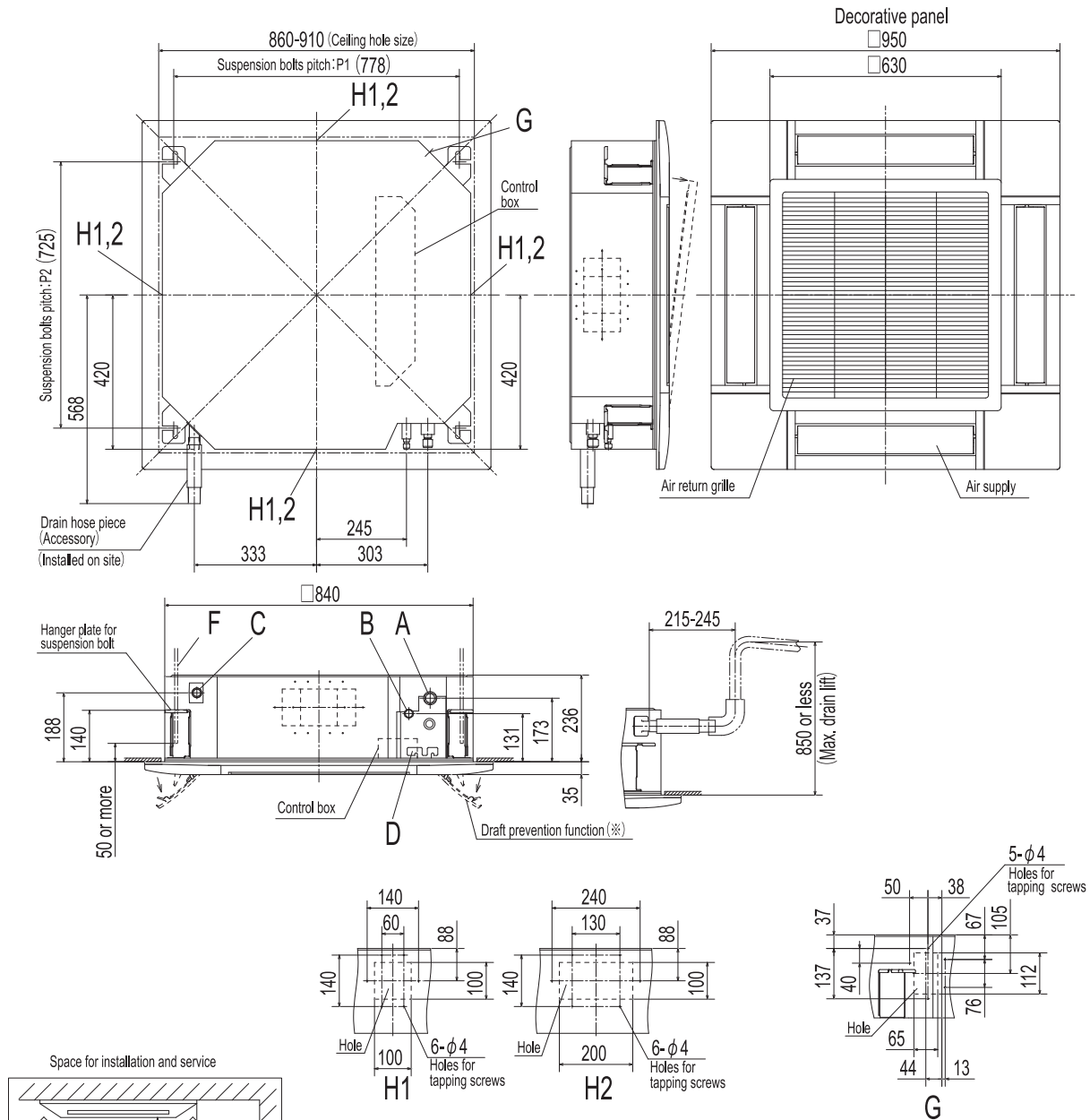
Symbol Pattern	P1	P2
1	770	725-770
2	770-800	725

Symbol	Content	
A	Gas piping	φ 15.88 (5/8") (Flare)
B	Liquid piping	φ 9.52 (3/8") (Flare)
C	Drain piping	VP25 (O.D.32)
D	Hole for wiring	
F	Suspension bolts	M10 or M8
G	Outside air opening for ducting	(Knock out)
H1	Air outlet opening for ducting	φ 125 (Knock out)
H2	Air outlet opening for ducting	φ 200 (Knock out)

Ceiling Cassette - 4way - FDT

FDT28KXZE1, FDT36KXZE1, FDT45KXZE1, FDT56KXZE1, FDT71KXZE1

All measurements in mm.



Make a space of 4000 or more between the units when installing more than one.

- Notes
- (1) The model name label is attached to the control box lid.
 - (2) Suspension bolt pitch P1, P2 is adjustable by a pattern of the right table.
 - (3) Draft prevention function (※) is provided on the panel T-PSAE-5BW-E, T-PSAE-5BB-E only.

Suspension bolt pitch range

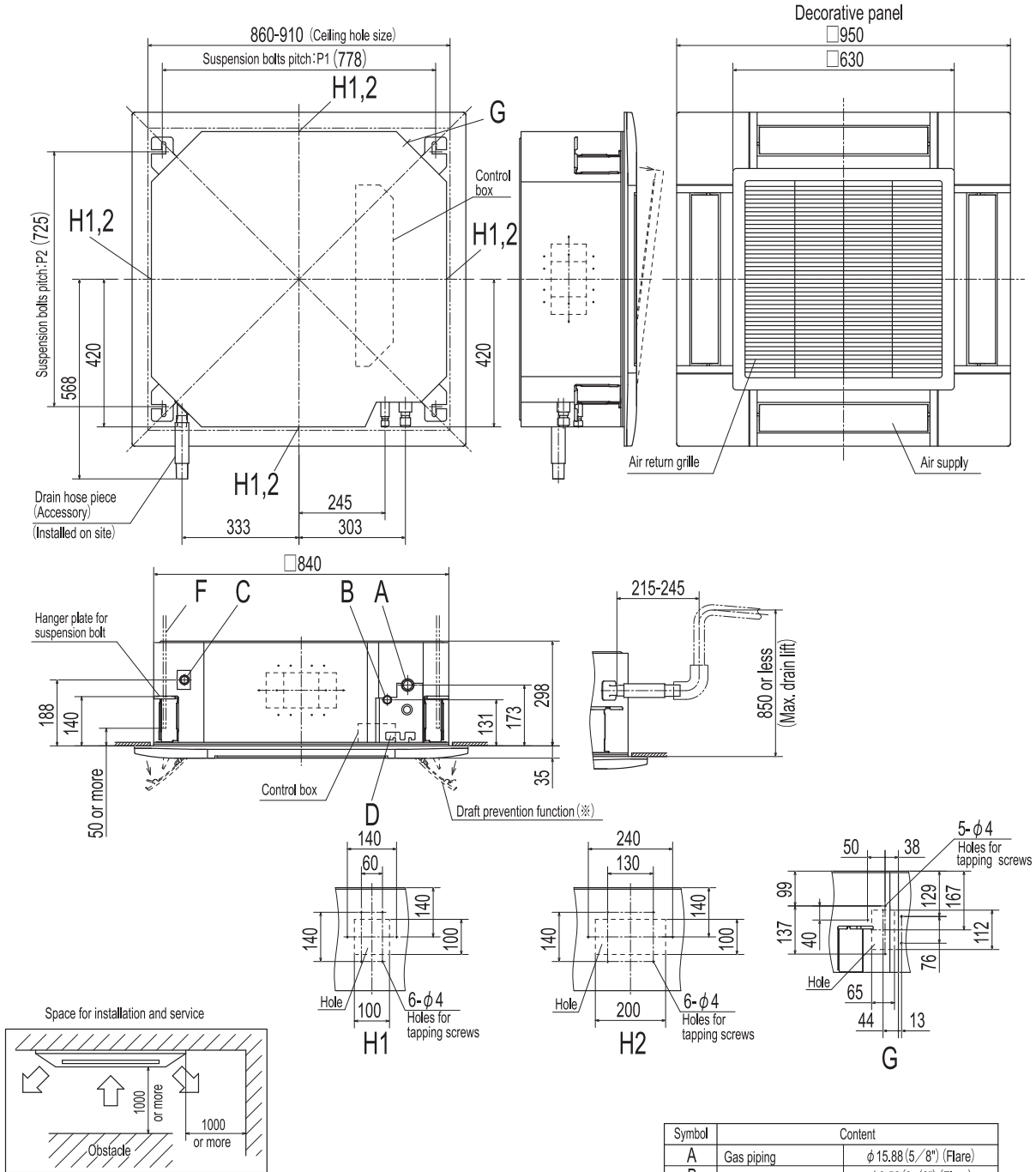
Symbol	P1	P2
1	770	725-770
2	770-800	725

Symbol	Content			
	Model	28	36,45,56	71
A	Gas piping	φ5.2(3/8") (Flare)	φ12.7(1/2") (Flare)	φ15.8(5/8") (Flare)
B	Liquid piping	φ6.35(1/4") (Flare)	φ9.52(3/8") (Flare)	φ9.52(3/8") (Flare)
C	Drain piping	VP25 (O.D.32)		
D	Hole for wiring			
F	Suspension bolts	(M10 or M8)		
G	Outside air opening for ducting	(Knock out)		
H1	Air outlet opening for ducting	φ125 (Knock out)		
H2	Air outlet opening for ducting	φ200 (Knock out)		

Ceiling Cassette - 4way - FDT

FDT90KXZE1, FDT112KXZE1, FDT140KXZE1, FDT160KXZE1

All measurements in mm.



Make a space of 5000 or more between the units when installing more than one.

- Notes
- (1) The model name label is attached to the control box lid.
 - (2) Suspension bolt pitch P1, P2 is adjustable by a pattern of the right table.
 - (3) Draft prevention function (※) is provided on the panel T-PSAE-5BW-E, T-PSAE-5BB-E only.

Suspension bolt pitch range

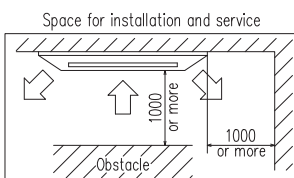
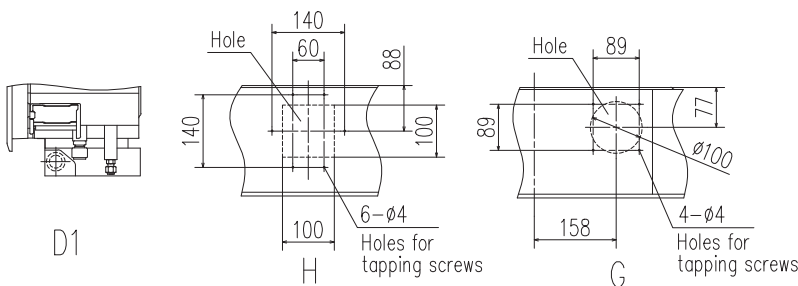
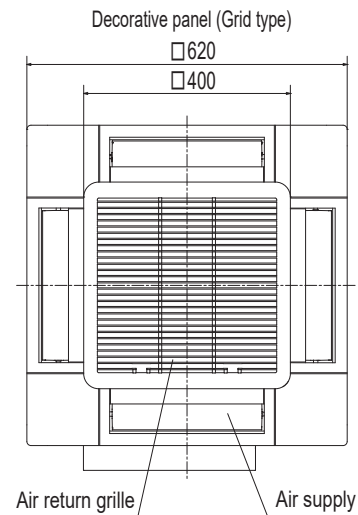
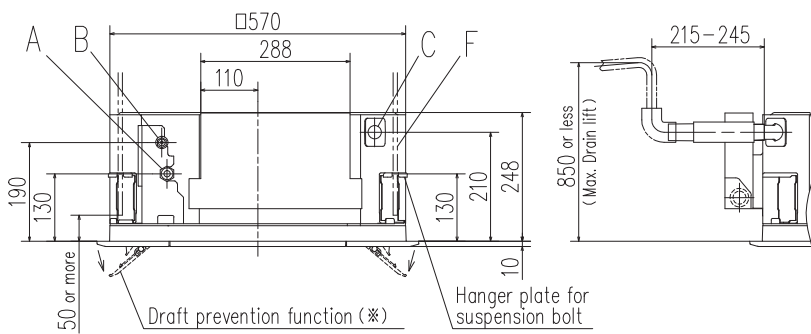
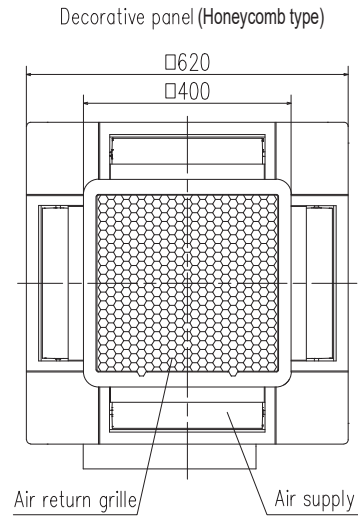
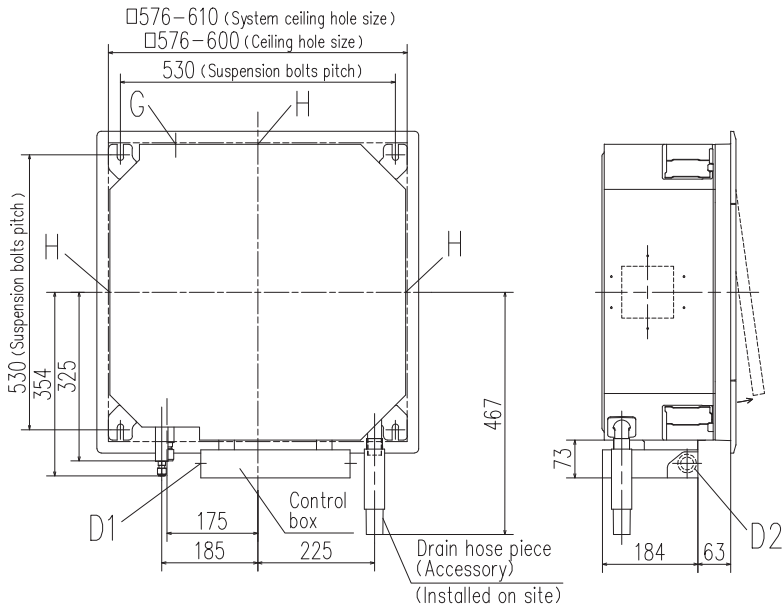
Symbol Pattern	P1	P2
1	770	725-770
2	770-800	725

Symbol	Content	
A	Gas piping	φ 15.88 (5/8") (Flare)
B	Liquid piping	φ 9.52 (3/8") (Flare)
C	Drain piping	VP25 (O.D.32)
D	Hole for wiring	
F	Suspension bolts	(M10 or M8)
G	Outside air opening for ducting	(Knock out)
H1	Air outlet opening for ducting	φ 125 (Knock out)
H2	Air outlet opening for ducting	φ 200 (Knock out)

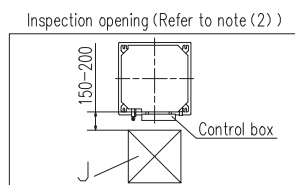
Ceiling Cassette - 4way Compact FDTC

FDTC15KXZE3-W, FDTC22KXZE3-W, FDTC28KXZE3-W, FDTC36KXZE3-W, FDTC45KXZE3-W, FDTC56KXZE3-W
FDTC15KXZE1, FDTC22KXZE1, FDTC28KXZE1, FDTC36KXZE1, FDTC45KXZE1, FDTC56KXZE1

All measurements in mm.



Make a space of 4000 or more between the units when installing more than one.

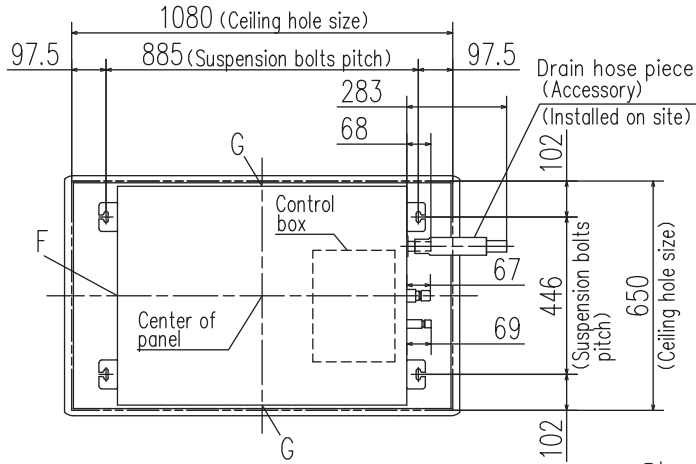


- Notes (1) The model name label is attached to the control box lid.
(2) This unit is designed for 2x2 grid ceiling.
If it is installed on a ceiling other than 2x2 grid ceiling, provide an inspection opening on the control box side.
(3) Draft prevention function (※) is provided on the panel TC-PSAE-5AW-E, TC-PSAGE-5AW-E only.

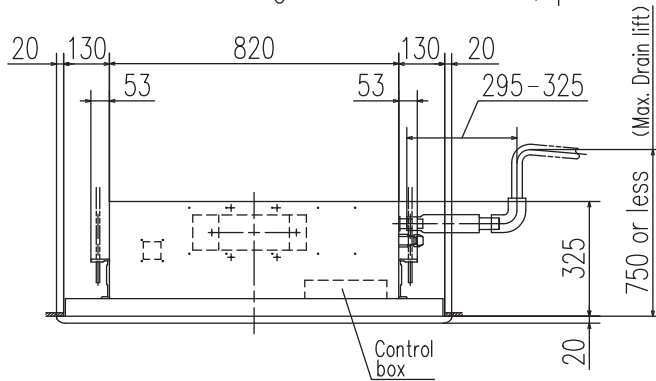
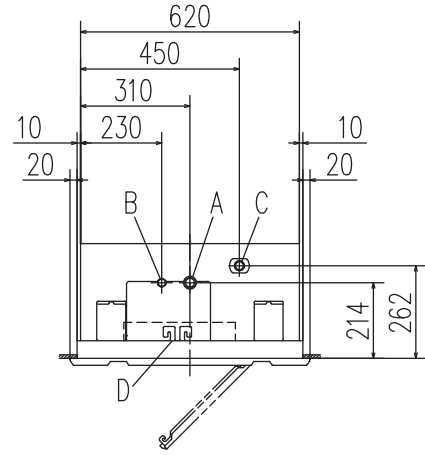
Symbol	Content		
	Model	15,22,28	36,45,56
A	Gas piping	φ9.52 (3/8") (Flare)	φ12.7 (1/2") (Flare)
B	Liquid piping	φ6.35 (1/4") (Flare)	
C	Drain piping	VP25 (O.D.32)	
D1	Power source connection		
D2	Remote control code and signal wiring connection		
F	Suspension bolts	(M10 or M8)	
G	Outside air opening for ducting	(Knock out)	
H	Air outlet opening for ducting	φ125 (Knock out)	
J	Inspection opening	450X450	

Ceiling Cassette -2way- FDTW

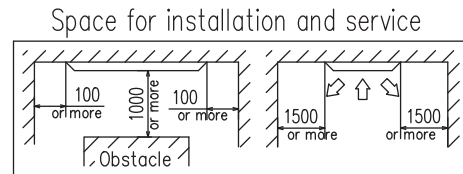
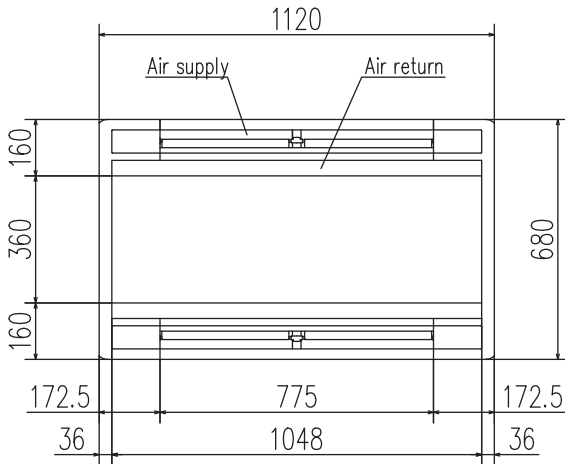
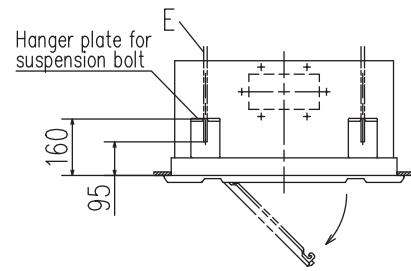
FDTW28KXZE3-W, FDTW45KXZE3-W, FDTW56KXZE3-W, FDTW71KXZE3-W
FDTW28KXE6F, FDTW45KXE6F, FDTW56KXE6F, FDTW71KXE6F



All measurements in mm.



Decorative panel



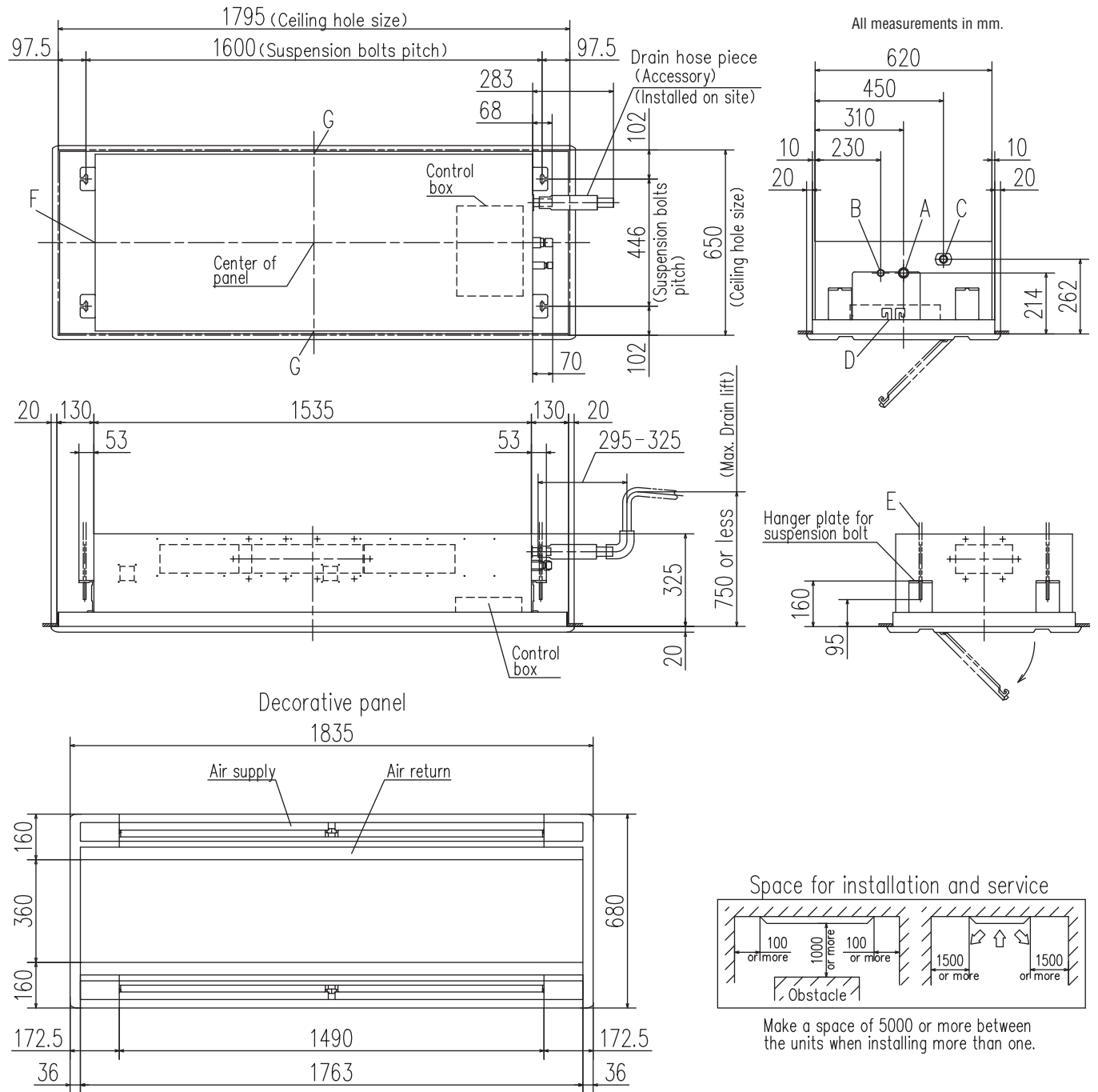
Make a space of 4000 or more between the units when installing more than one.

Symbol	Content			
	Model	28	45,56	71
A	Gas piping	∅9.52 (3/8") (Flare)	∅12.7 (1/2") (Flare)	∅15.88 (5/8") (Flare)
B	Liquid piping	∅6.35 (1/4") (Flare)		∅9.52 (3/8") (Flare)
C	Drain piping		VP25 (O.D.32)	
D	Hole for wiring			
E	Suspension bolts		M10	
F	Outside air opening for ducting		(Knock out)	
G	Air outlet opening for ducting		(Knock out)	

Notes (1) The model name label is attached on the lid of the control box.

Ceiling Cassette -2way- FDTW

FDTW90KXZE3-W, FDTW112KXZE3-W, FDTW140KXZE3-W
FDTW90KXE6F, FDTW112KXE6F, FDTW140KXE6F



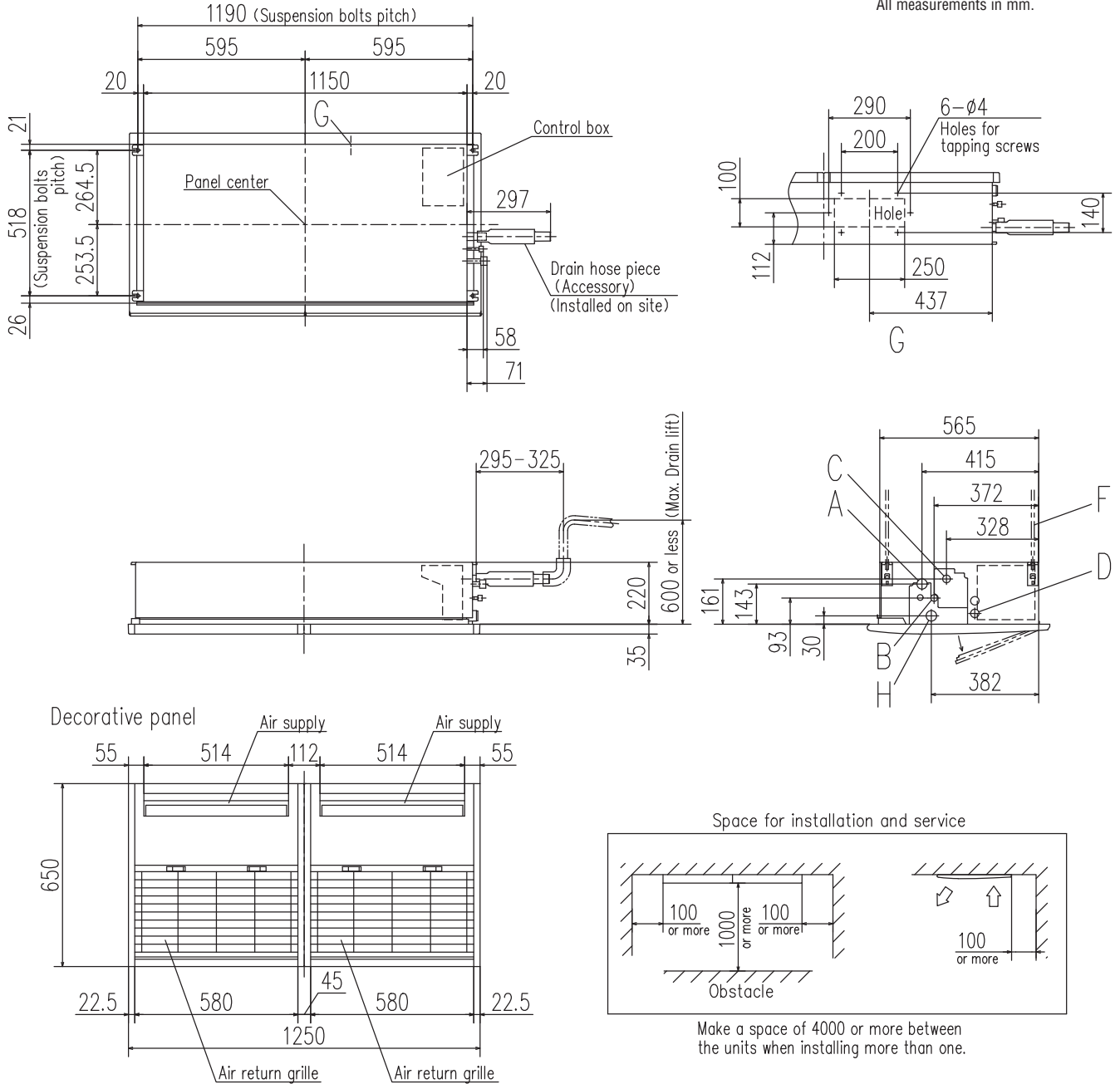
Symbol	Content	
A	Gas piping	φ15.88 (5/8") (Flare)
B	Liquid piping	φ9.52 (3/8") (Flare)
C	Drain piping	VP25 (O.D.32)
D	Hole for wiring	
E	Suspension bolts	M10
F	Outside air opening for ducting	(Knock out)
G	Air outlet opening for ducting	(Knock out)

Notes (1) The model name label is attached on the lid of the control box.

Ceiling Cassette -1way- FDTS

FDTS45KXZE3-W, FDTS71KXZE3-W
FDTS45KXE6F, FDTS71KXE6F

All measurements in mm.



Symbol	Content		
	Model	45,50	71
A	Gas piping	ø12.7 (1/2") (Flare)	ø15.88 (5/8") (Flare)
B	Liquid piping	ø6.35 (1/4") (Flare)	ø9.52 (3/8") (Flare)
C	Drain piping	VP25 (I.D.25 , O.D.32) Note (2)	
D	Hole for wiring		
F	Suspension bolts	(M10)	
G	Outside air opening for ducting	(Knock out)	
H	Drain piping (Gravity drainage)	VP25 (I.D.25 , O.D.32)	

Notes (1) The model name label is attached inside the air return grille.

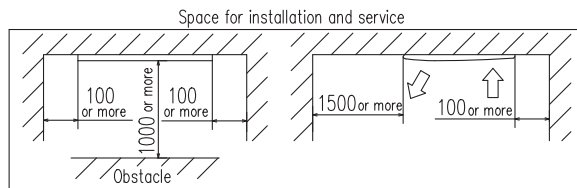
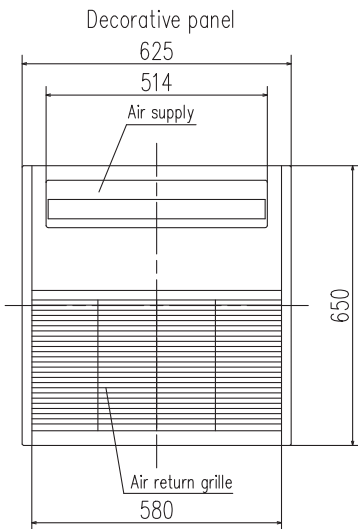
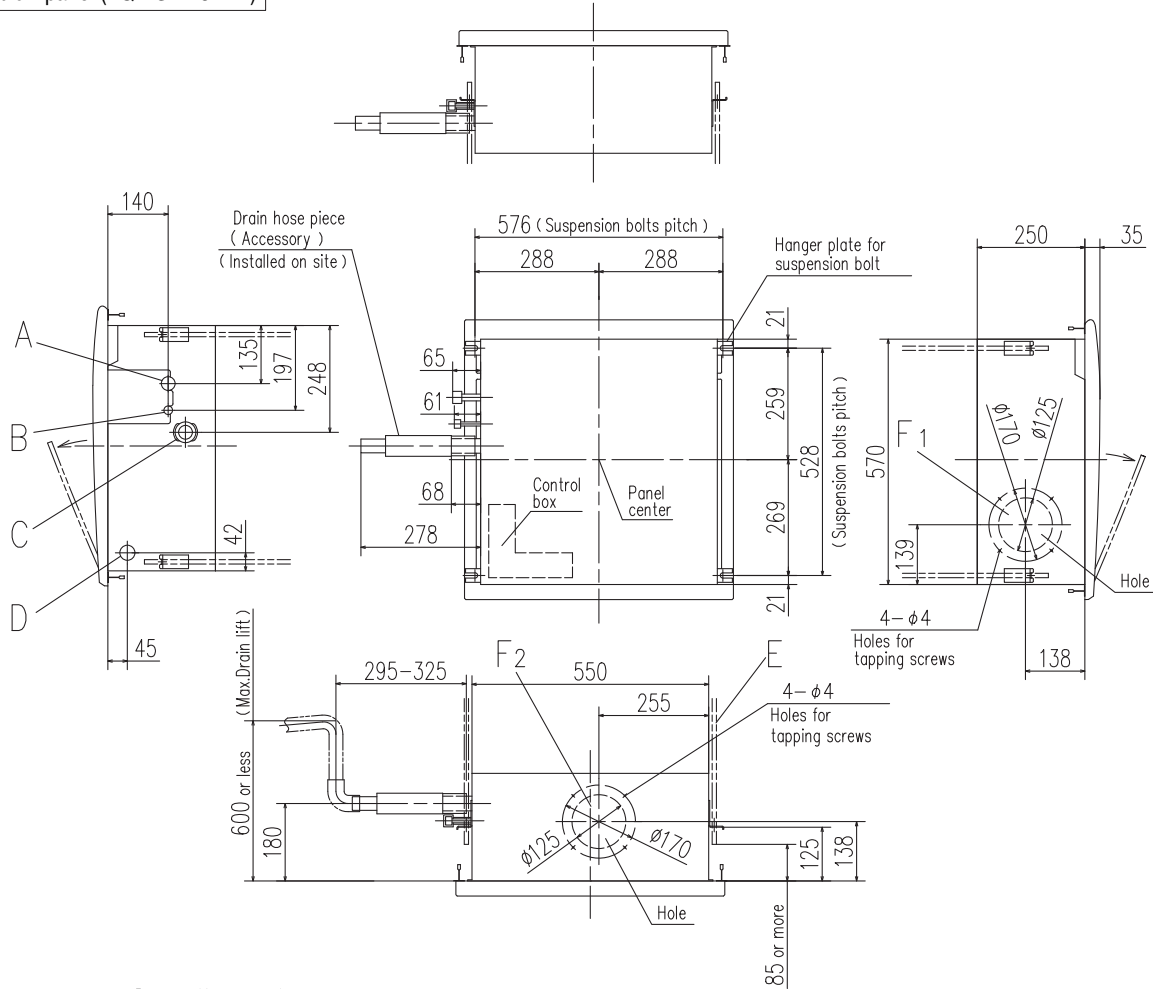
(2) This unit is designed for 2x4 grid ceiling.

Ceiling Cassette -1way Compact-FDTQ

FDTQ22KXZE3-W, FDTQ28KXZE3-W, FDTQ36KXZE3-W
 FDTQ22KXE6F, FDTQ28KXE6F, FDTQ36KXE6F

All measurements in mm.

Direct blow panel (TQ-PSA-15W-E)



Make a space of 3000 or more between the units when installing more than one.

Notes

- (1) The model name label is attached on the fan case inside the air return grille.
- (2) This unit is designed for 2X2 grid ceiling.

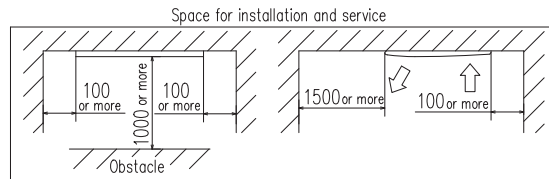
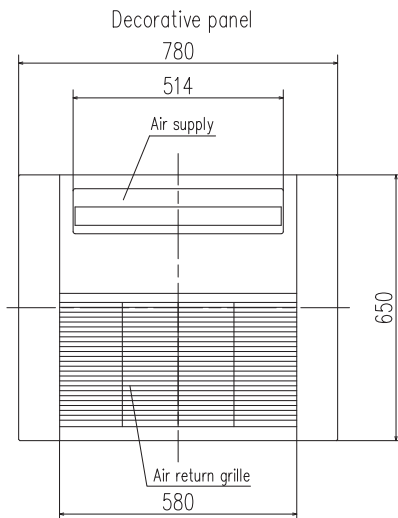
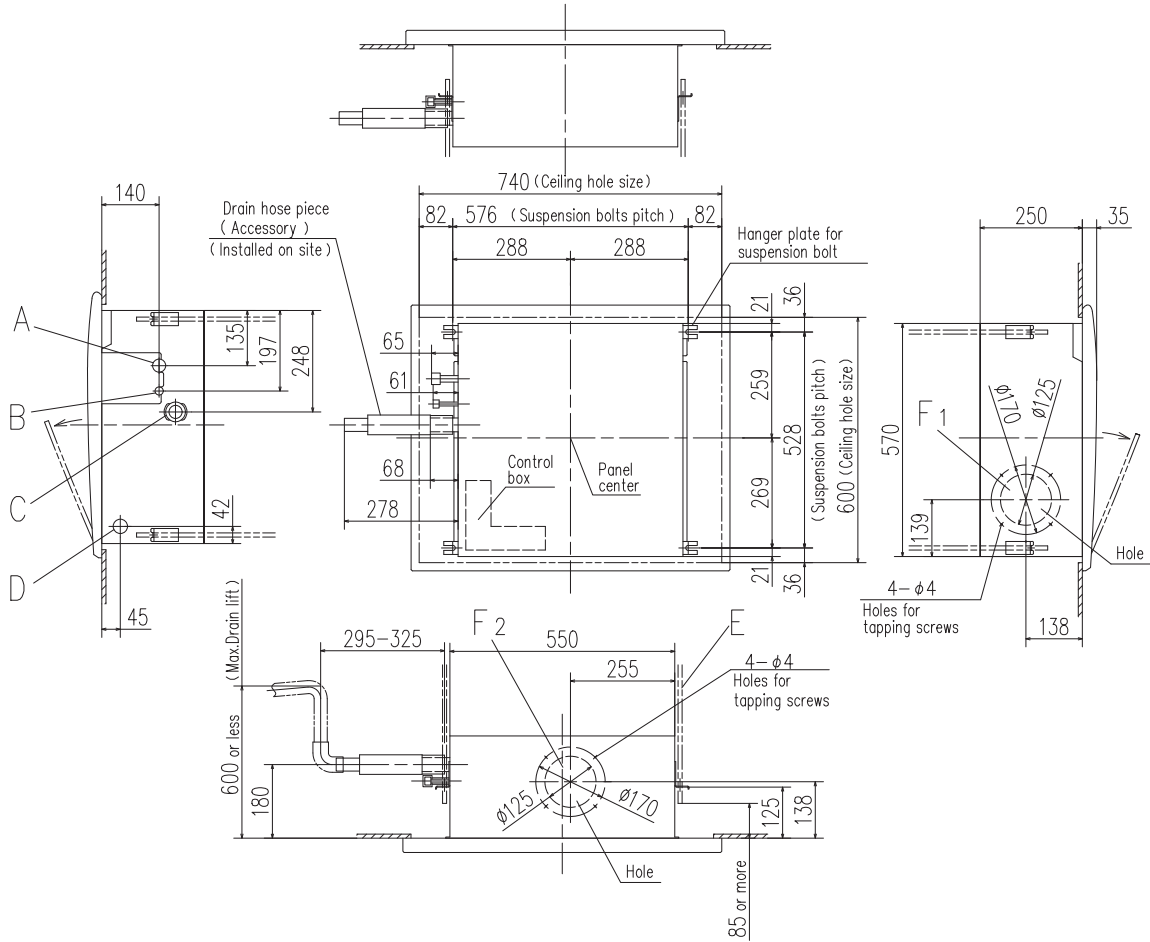
Symbol	Content		
	Model	22,28	36
A	Gas piping	φ9.52 (3/8") (Flare)	φ12.7 (1/2") (Flare)
B	Liquid piping	φ6.35 (1/4") (Flare)	
C	Drain piping	VP25 (O.D.32)	
D	Hole for wiring	φ30	
E	Suspension bolts	M10	
F1,2	Outside air opening for ducting	(Knock out)	

Ceiling Cassette -1way Compact-FDTQ

FDTQ22KXZE3-W, FDTQ28KXZE3-W, FDTQ36KXZE3-W
 FDTQ22KXE6F, FDTQ28KXE6F, FDTQ36KXE6F

All measurements in mm.

Direct blow panel (TQ-PSB-15W-E)



Make a space of 3000 or more between the units when installing more than one.

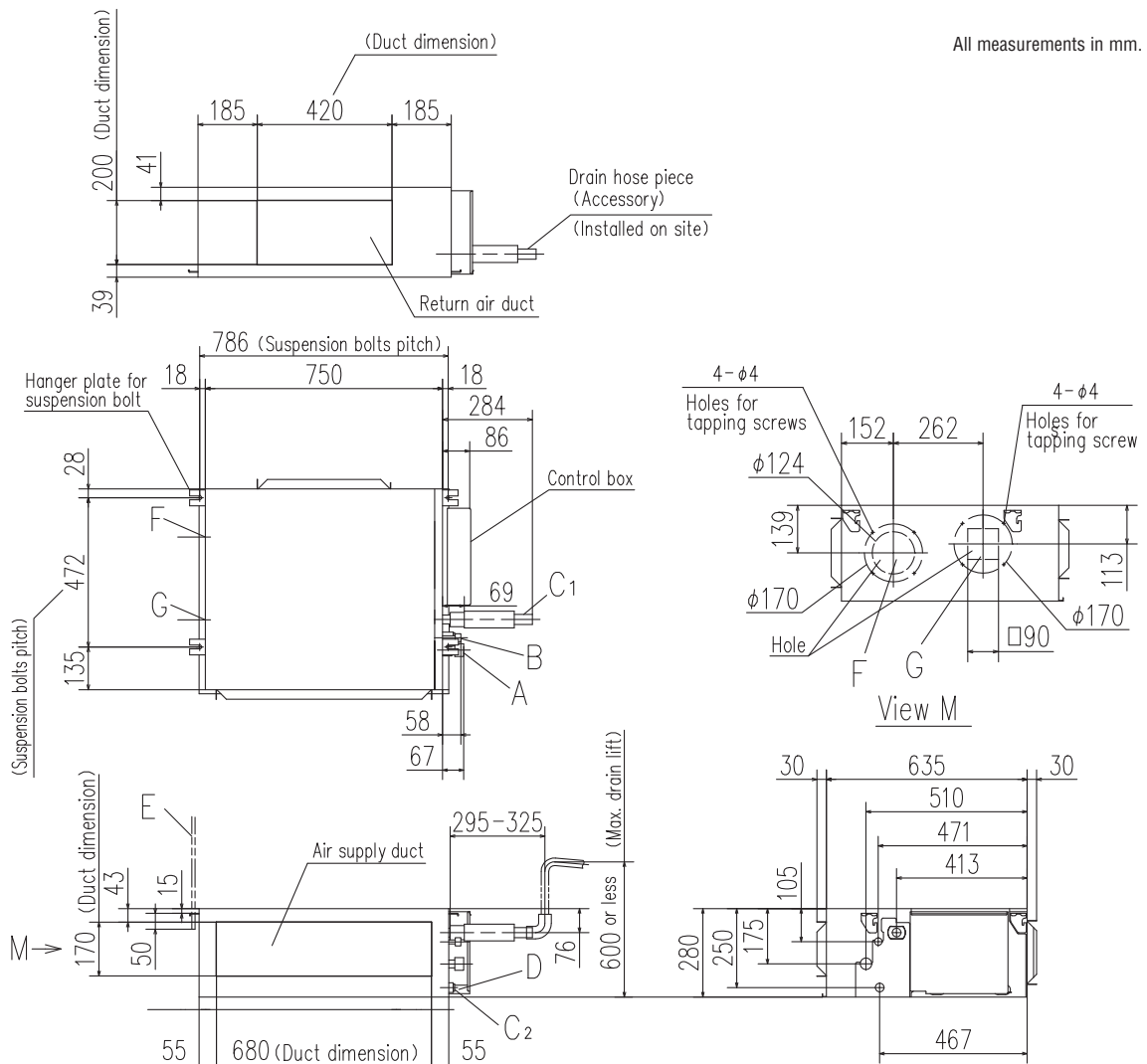
Notes

- (1) The model name label is attached on the fan case inside the air return grille.

Symbol	Content		
	Model	22,28	36
A	Gas piping	$\phi 9.52$ (3/8") (Flare)	$\phi 12.7$ (1/2") (Flare)
B	Liquid piping	$\phi 6.35$ (1/4") (Flare)	
C	Drain piping	VP25 (O.D.32)	
D	Hole for wiring	$\phi 30$	
E	Suspension bolts	M10	
F 1,2	Outside air opening for ducting	(Knock out)	

Duct Connected -High Static Pressure- FDU

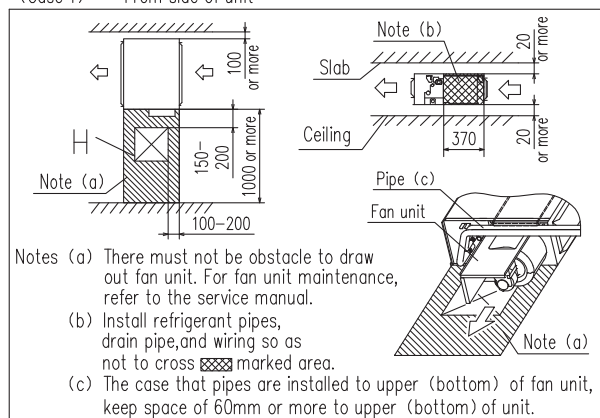
FDU45KXE3-W, FDU56KXE3-W
FDU45KXE6F, FDU56KXE6F



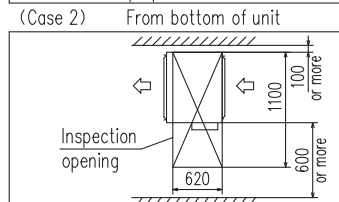
All measurements in mm.

Space for installation and service

Select either of two cases to keep space for installation and services.
(Case 1) From side of unit



Symbol	Content	
A	Gas piping	φ12.7 (1/2") (Flare)
B	Liquid piping	φ6.35 (1/4") (Flare)
C1	Drain piping	VP25 (O.D.32)
C2	Drain piping (Gravity drainage)	VP20 (O.D.26)
D	Hole for wiring	
E	Suspension bolts	M10
F	Outside air opening for ducting	(Knock out)
G	Air outlet opening for ducting	(Knock out)
H	Inspection opening	(450X450)

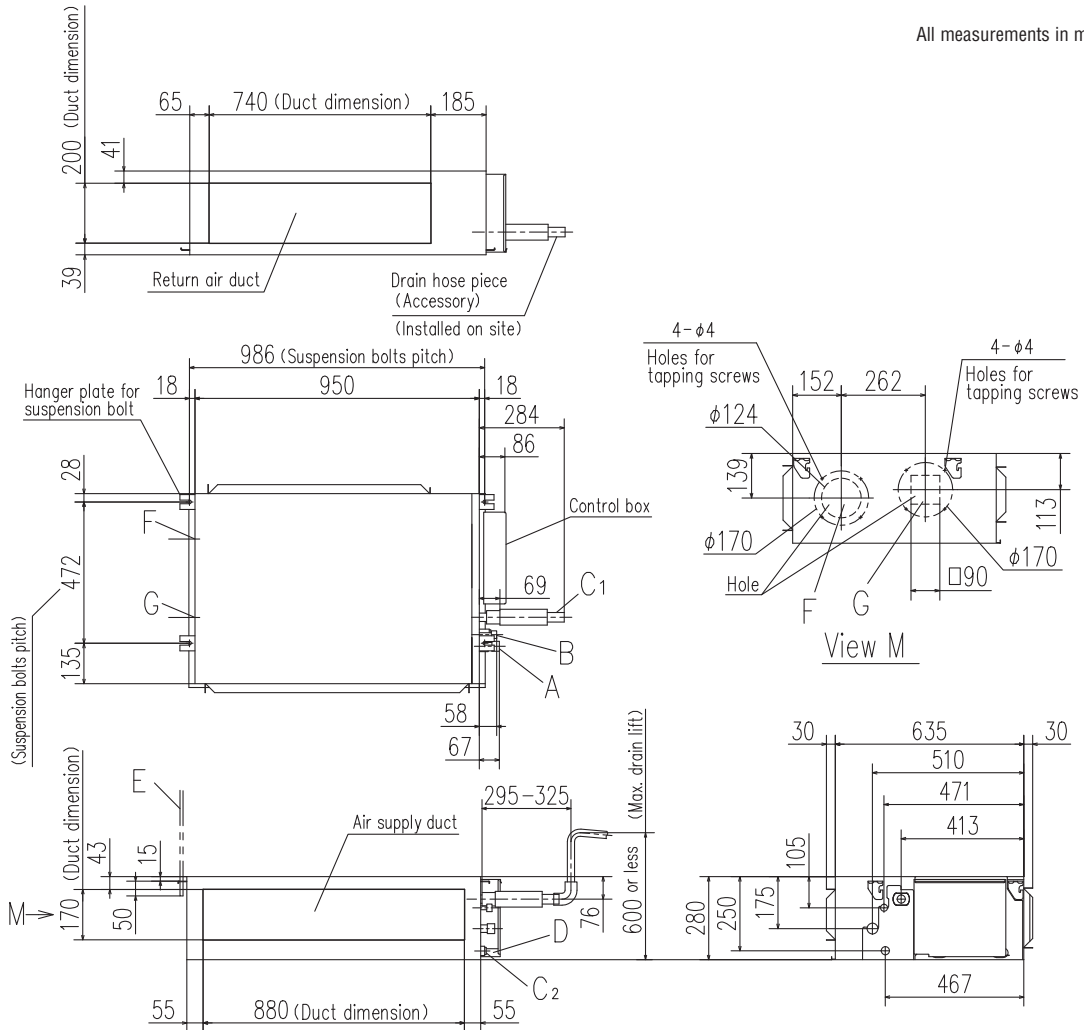


Note
(1) The model name label is attached on the lid of the control box.

Duct Connected -High Static Pressure- FDU

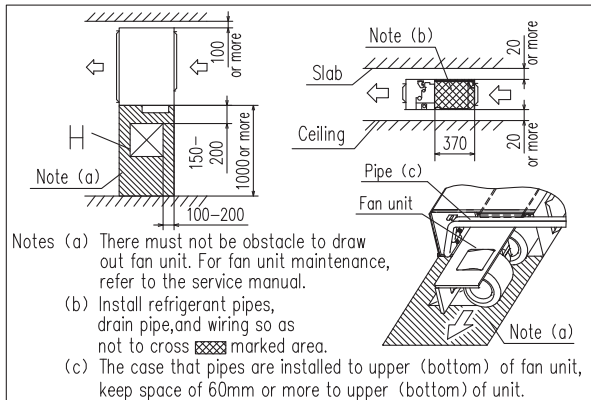
FDU71KXZE3-W, FDU90KXZE3-W
FDU71KXE6F, FDU90KXE6F

All measurements in mm.

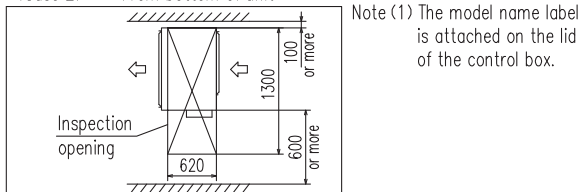


Space for installation and service

Select either of two cases to keep space for installation and services.
(Case 1) From side of unit



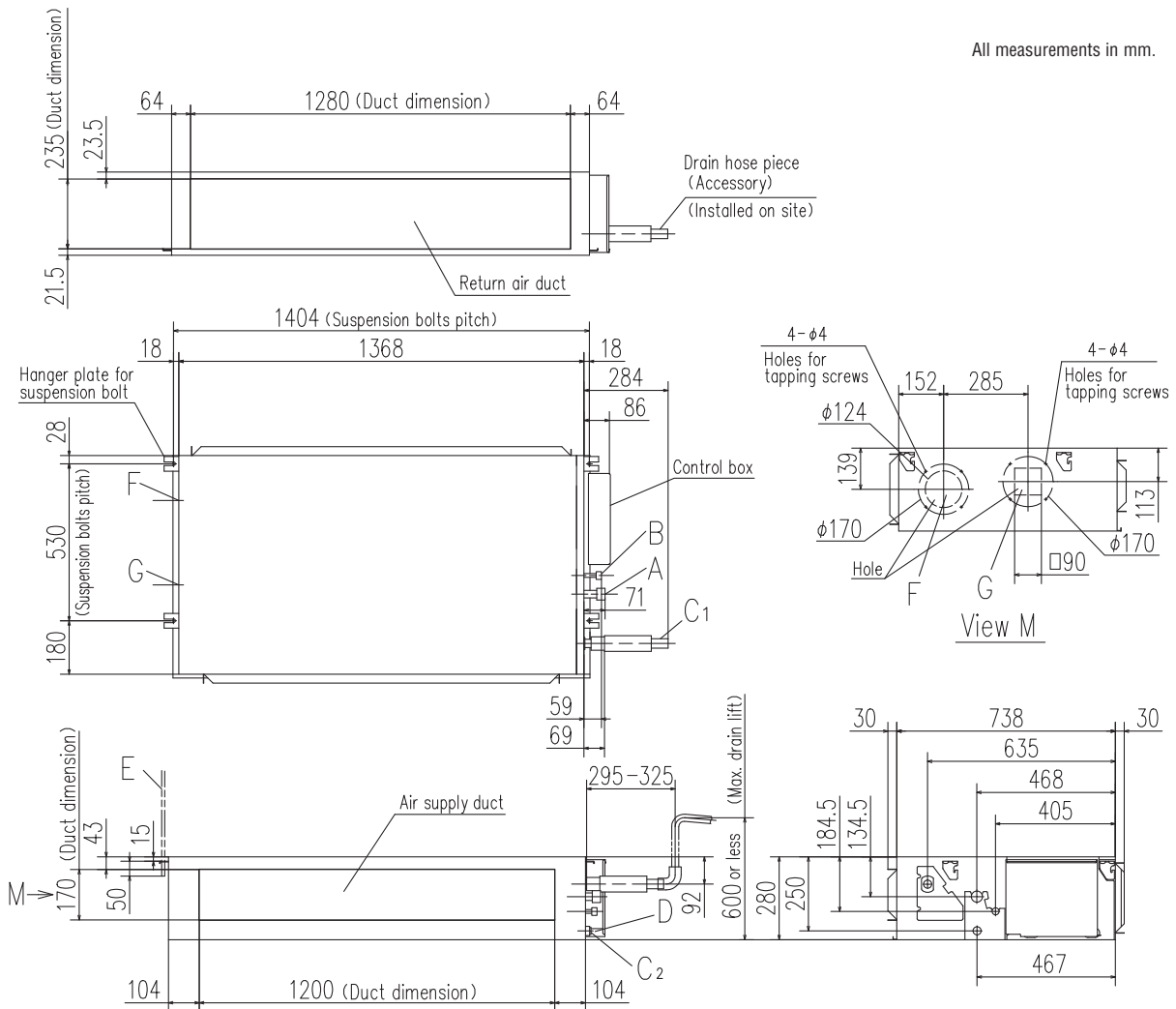
(Case 2) From bottom of unit



Symbol	Content	
A	Gas piping	φ15.88 (5/8") (Flare)
B	Liquid piping	φ9.52 (3/8") (Flare)
C1	Drain piping	VP25 (O.D.32)
C2	Drain piping (Gravity drainage)	VP20(O.D.26)
D	Hole for wiring	
E	Suspension bolts	M10
F	Outside air opening for ducting	(Knock out)
G	Air outlet opening for ducting	(Knock out)
H	Inspection opening	(450X450)

Duct Connected -High Static Pressure- FDU

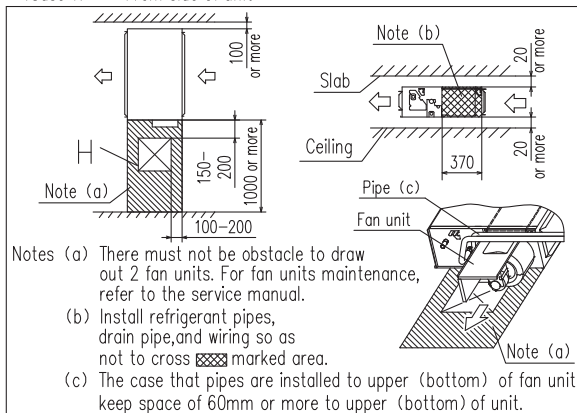
FDU112KXZE3-W, FDU140KXZE3-W, FDU160KXZE3-W
FDU112KXE6F, FDU140KXE6F, FDU160KXE6F



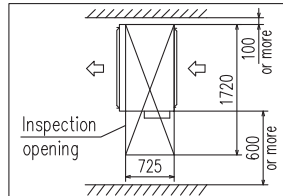
All measurements in mm.

Space for installation and service

Select either of two cases to keep space for installation and services.
(Case 1) From side of unit



(Case 2) From bottom of unit

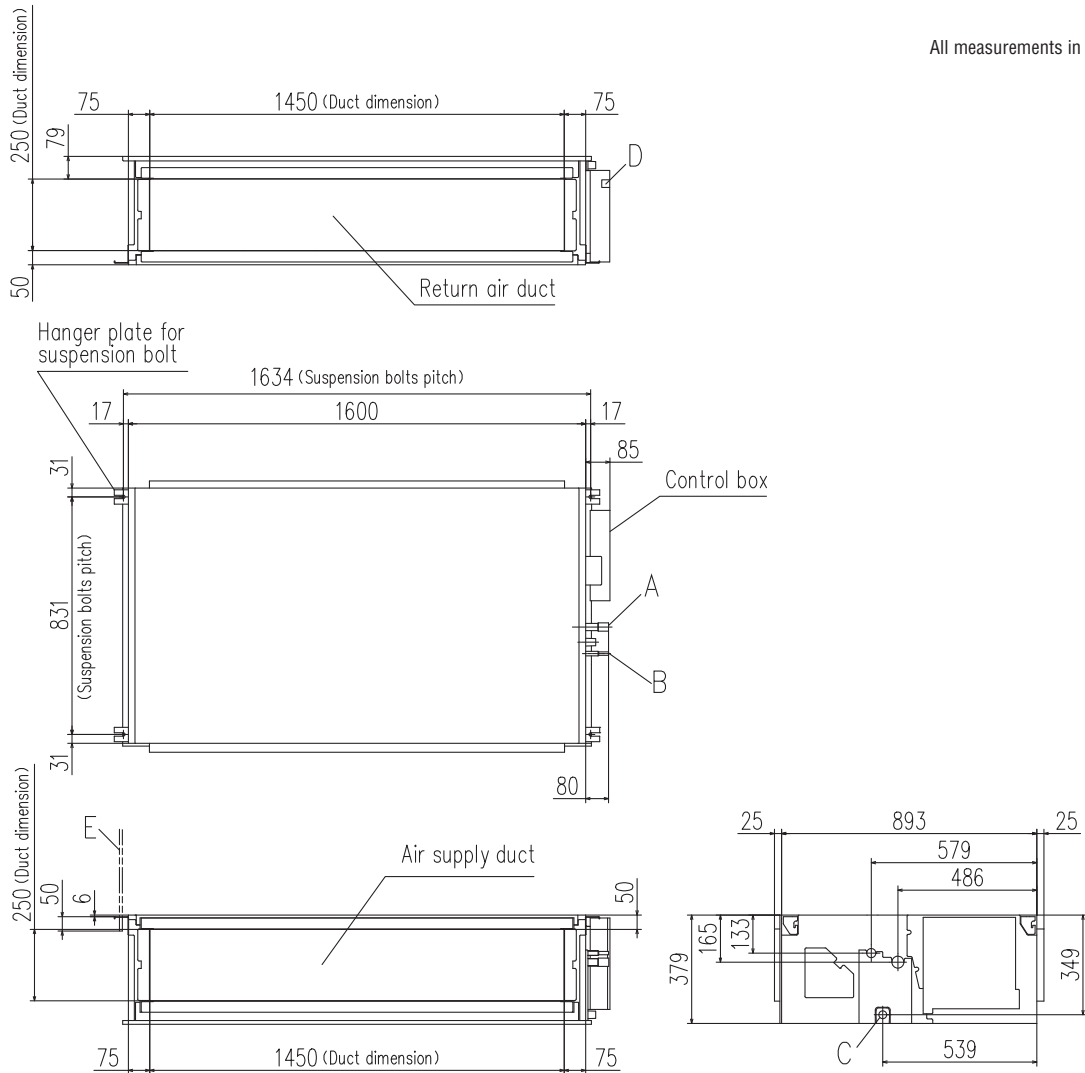


Note
(1) The model name label is attached on the lid of the control box.

Symbol	Content	
A	Gas piping	φ15.88 (5/8") (Flare)
B	Liquid piping	φ9.52 (3/8") (Flare)
C1	Drain piping	VP25 (O.D.32)
C2	Drain piping (Gravity drainage)	VP20 (O.D.26)
D	Hole for wiring	
E	Suspension bolts	M10
F	Outside air opening for ducting	(Knock out)
G	Air outlet opening for ducting	(Knock out)
H	Inspection opening	(450X450)

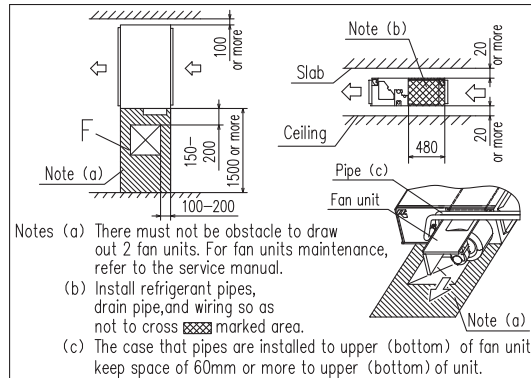
Duct Connected -High Static Pressure- FDU

FDU224KXZE3-W, FDU280KXZE3-W
FDU224KXZE1, FDU280KXZE1



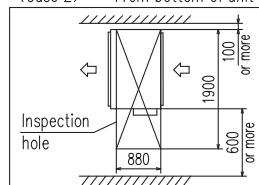
Space for installation and service

Select either of two cases to keep space for installation and services.
(Case 1) From side of unit



Symbol	Content	
	MODEL 224	280
A	Gas piping	φ19.05 (3/4") (Brazing) φ22.22 (7/8") (Brazing)
B	Liquid piping	φ9.52 (3/8") (Brazing)
C	Drain piping (Gravity drainage)	VP25 (O.D.32)
D	Hole for wiring	
E	Suspension bolts	M10
F	Inspection hole	(450X450)

(Case 2) From bottom of unit

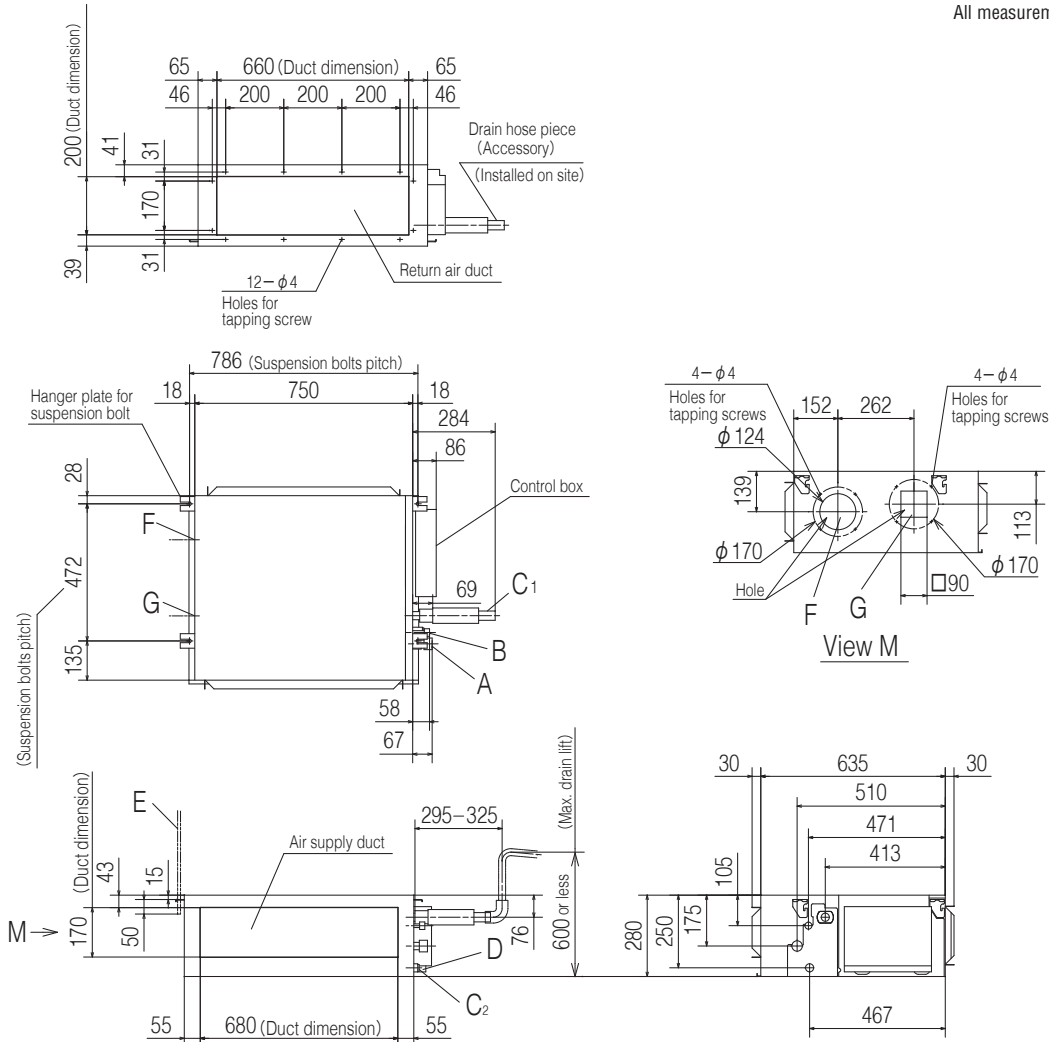


Notes (1) The model name label is attached on the lid of the control box.

Duct Connected -Low/Middle Static Pressure- FDUM

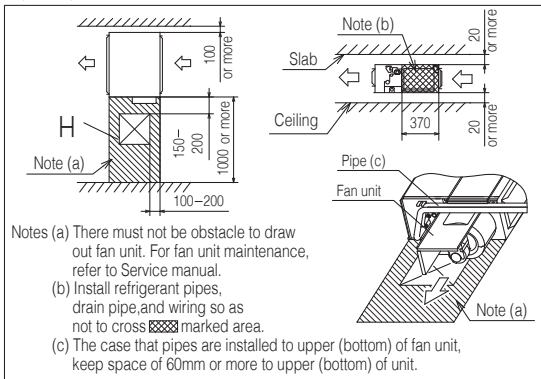
FDUM22KXZE3-W, FDUM28KXZE3-W, FDUM36KXZE3-W, FDUM45KXZE3-W, FDUM56KXZE3-W
 FDUM22KXE6F, FDUM28KXE6F, FDUM36KXE6F, FDUM45KXE6F, FDUM56KXE6F

All measurements in mm.

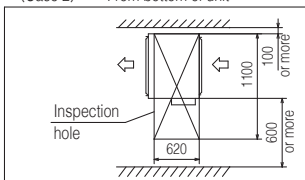


Space for installation and service

Select either of two cases to keep space for installation and services.
 (Case 1) From side of unit



(Case 2) From bottom of unit



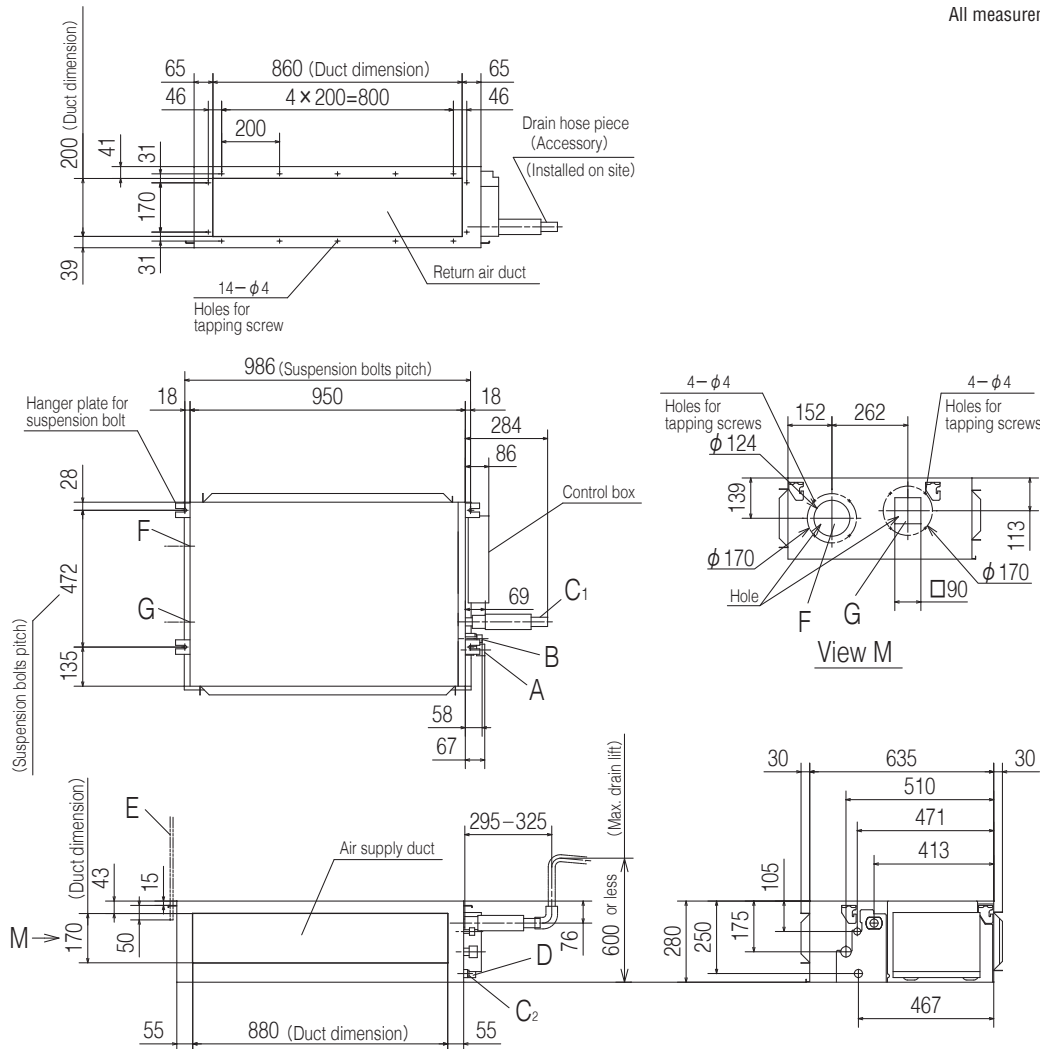
Symbol	Content	
	Model	22,28 36,45,56
A	Gas piping	φ9.52(3/8") (Flare) φ12.7(1/2") (Flare)
B	Liquid piping	φ6.35(1/4") (Flare)
C1	Drain piping	VP25 (O.D.32)
C2	Drain piping (Gravity drainage)	VP20 (O.D.26)
D	Hole for wiring	
E	Suspension bolts	(M10)
F	Outside air opening for ducting	(φ150) (Knock out)
G	Air outlet opening for ducting	(φ125) (Knock out)
H	Inspection hole	(450X450)

Note The model name label is attached on the lid of the control box.

Duct Connected -Low/Middle Static Pressure- FDUM

FDUM71KXZE3-W, FDUM90KXZE3-W
FDUM71KXE6F, FDUM90KXE6F

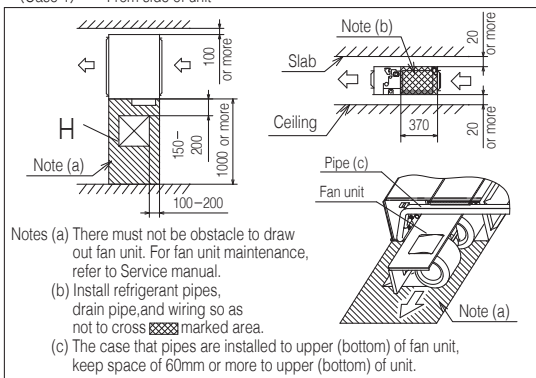
All measurements in mm.



Space for installation and service

Select either of two cases to keep space for installation and services.

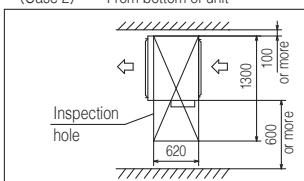
(Case 1) From side of unit



Symbol	Content	
A	Gas piping	φ15.88(5/8")(Flare)
B	Liquid piping	φ9.52(3/8")(Flare)
C1	Drain piping	VP25 (O.D.32)
C2	Drain piping (Gravity drainage)	VP20 (O.D.26)
D	Hole for wiring	
E	Suspension bolts	(M10)
F	Outside air opening for ducting	(φ150)(Knock out)
G	Air outlet opening for ducting	(φ125)(Knock out)
H	Inspection hole	(450X450)

Note The model name label is attached on the lid of the control box.

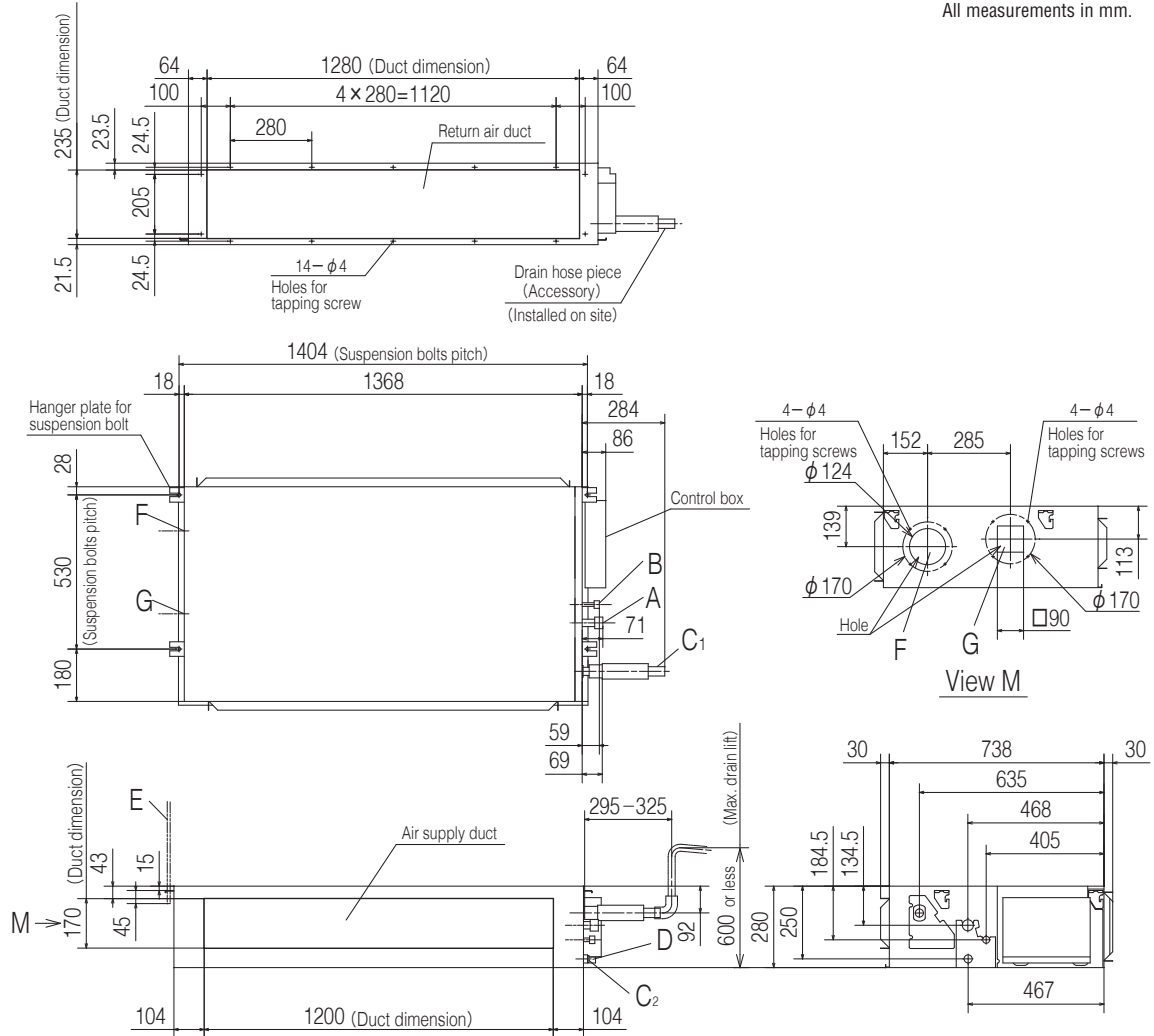
(Case 2) From bottom of unit



Duct Connected -Low/Middle Static Pressure- FDUM

FDUM112KXZE3-W, FDUM140KXZE3-W, FDUM160KXZE3-W
FDUM112KXE6F, FDUM140KXE6F, FDUM160KXE6F

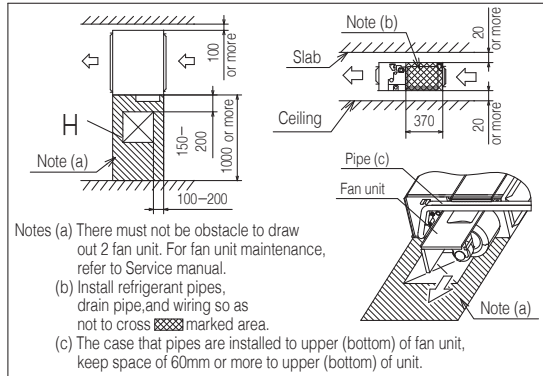
All measurements in mm.



Space for installation and service

Select either of two cases to keep space for installation and services.

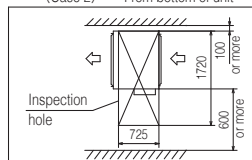
(Case 1) From side of unit



Symbol	Content	
A	Gas piping	φ 15.88 (5/8") (Flare)
B	Liquid piping	φ 9.52 (3/8") (Flare)
C1	Drain piping	VP25 (O.D.32)
C2	Drain piping (Gravity drainage)	VP20 (O.D.26)
D	Hole for wiring	
E	Suspension bolts	(M10)
F	Outside air opening for ducting	(φ 150) (Knock out)
G	Air outlet opening for ducting	(φ 125) (Knock out)
H	Inspection hole	(450X450)

Note The model name label is attached on the lid of the control box.

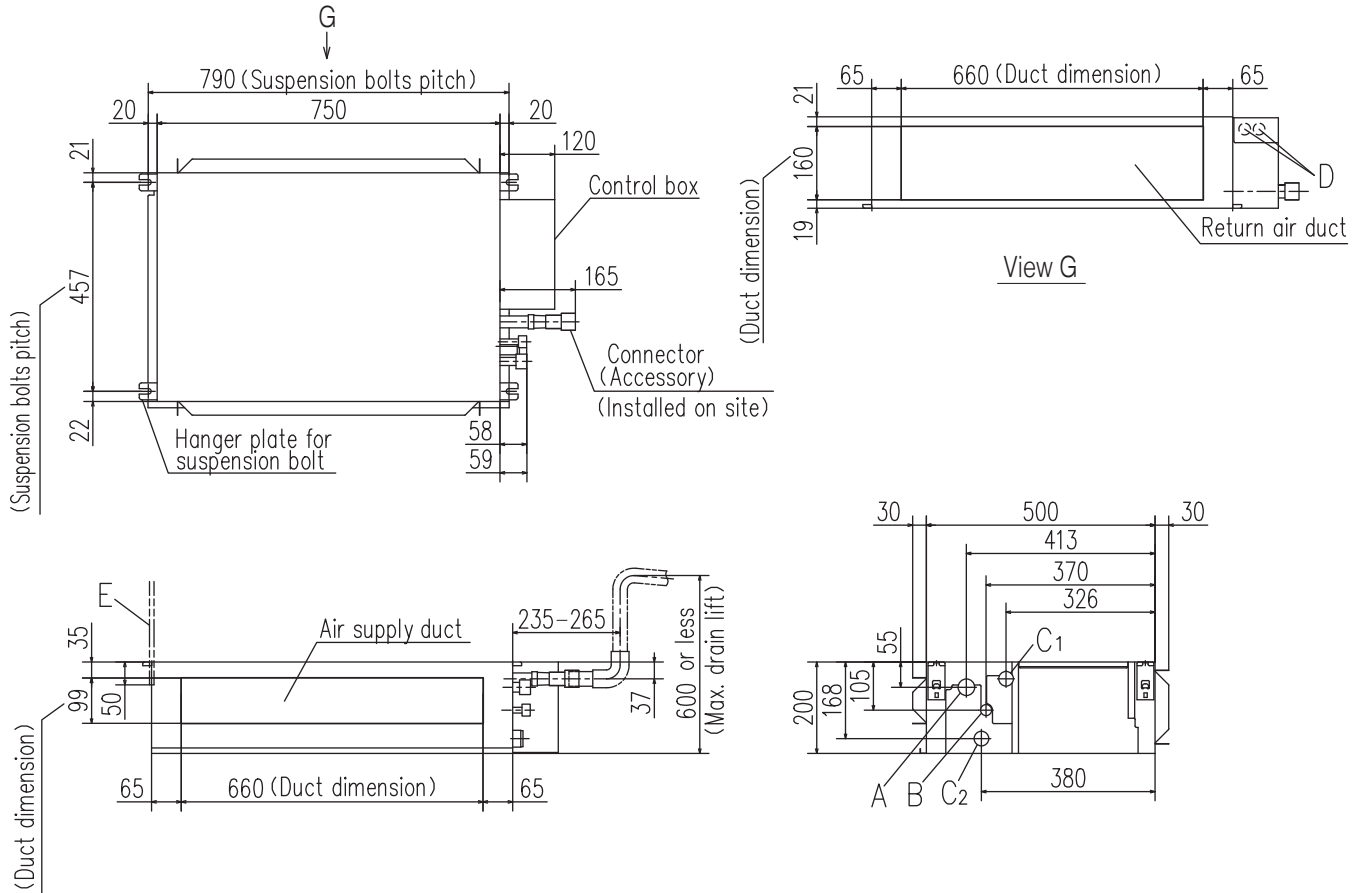
(Case 2) From bottom of unit



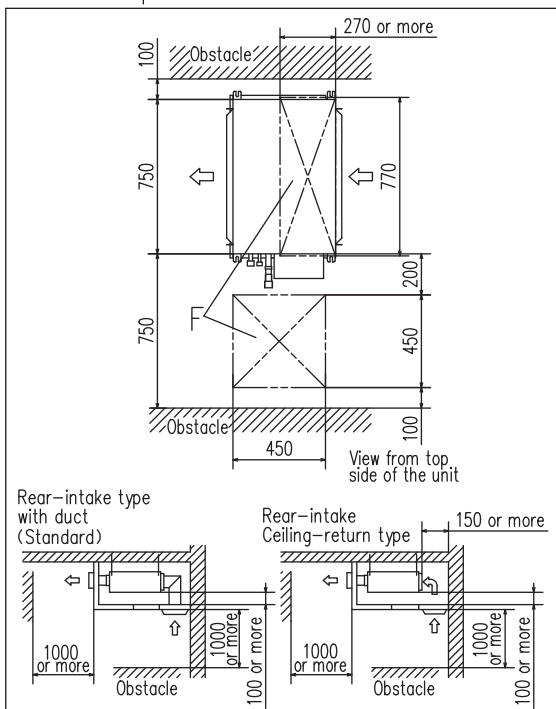
Duct Connected (thin) -Low Static Pressure- FDUT

FDUT15KXZE3-W, FDUT22KXZE3-W, FDUT28KXZE3-W, FDUT36KXZE3-W
FDUT15KXE6F-E, FDUT22KXE6F-E, FDUT28KXE6F-E, FDUT36KXE6F-E

All measurements in mm.



Space for installation and service



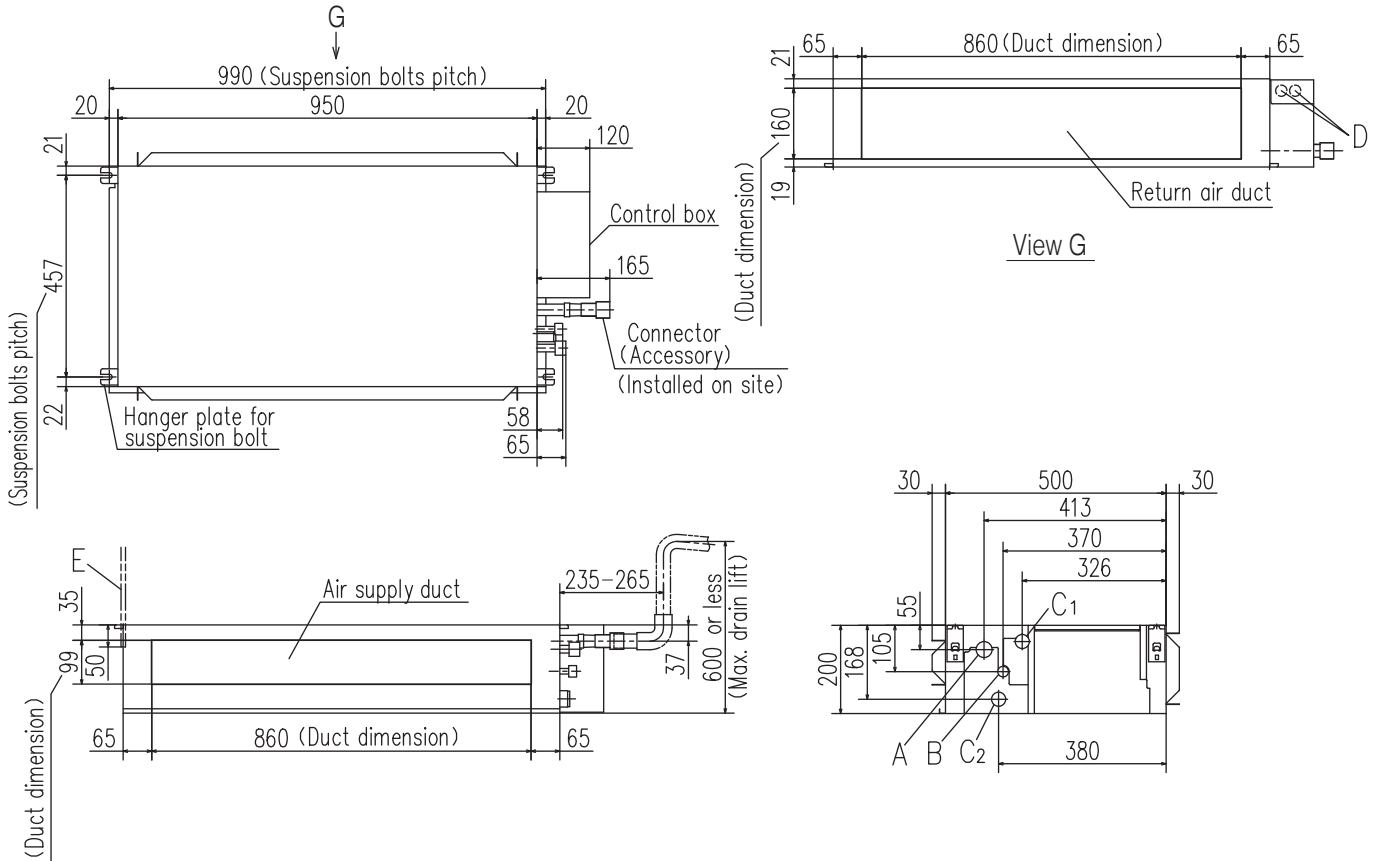
Symbol	Content		
	Model	15,22,28	36
A	Gas piping	φ9.52 (3/8") (Flare)	φ12.7 (1/2") (Flare)
B	Liquid piping	φ6.35 (1/4") (Flare)	
C1	Drain piping	VP25 (O.D.32) (Used with attached connector)	
C2	Drain piping (Gravity drainage)	VP25 (O.D.32) (Used with attached connector)	
D	Hole for wiring	φ25 x 2	
E	Suspension bolts	M10	
F	Inspection opening	(450X450), (270X770)	

Note The model name label is attached on the lid of the control box.

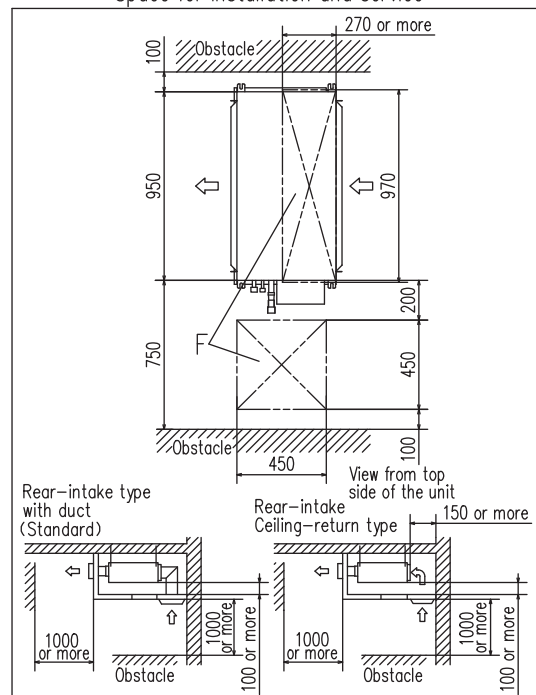
Duct Connected (thin) -Low Static Pressure- FDUT

FDUT45KXZE3-W, FDUT56KXZE3-W
FDUT45KXE6F-E, FDUT56KXE6F-E

All measurements in mm.



Space for installation and service

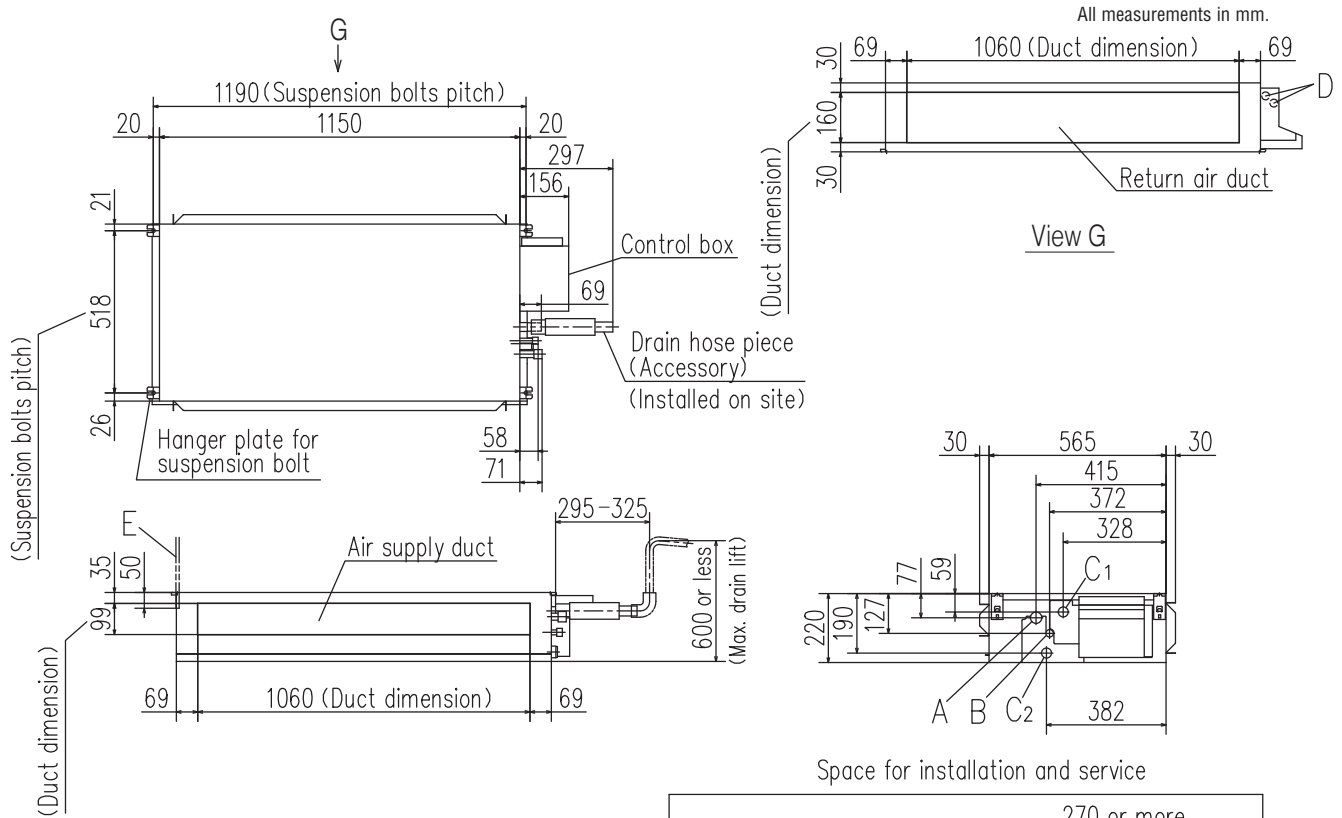


Symbol	Model	Content
		45,56
A	Gas piping	φ12.7 (1/2") (Flare)
B	Liquid piping	φ6.35 (1/4") (Flare)
C1	Drain piping	VP25 (O.D.32) (Used with attached connector)
C2	Drain piping (Gravity drainage)	VP25 (O.D.32) (Used with attached connector)
D	Hole for wiring	φ25 x 2
E	Suspension bolts	M10
F	Inspection opening	(450X450), (270X970)

Note The model name label is attached on the lid of the control box.

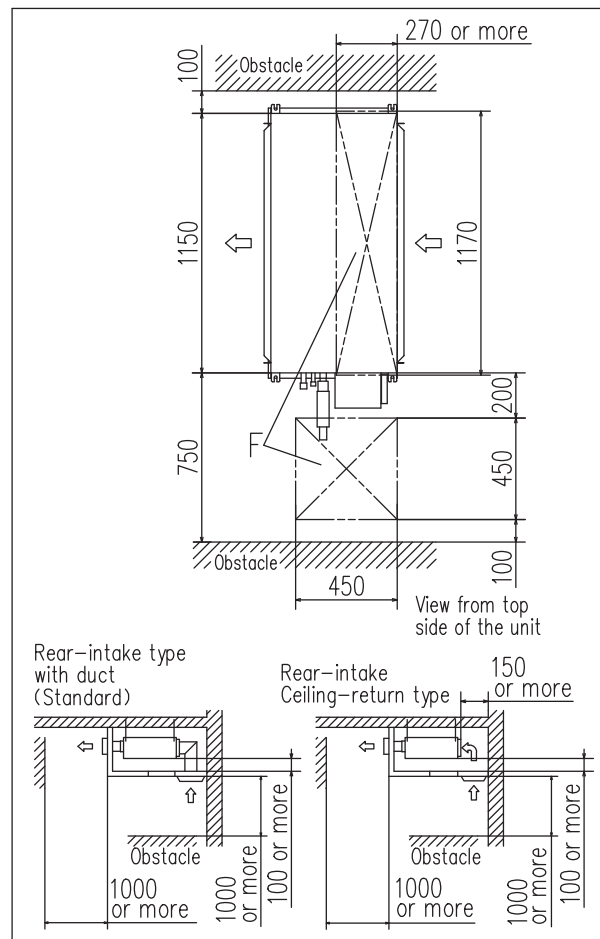
Duct Connected (thin) -Low Static Pressure- FDUT

FDUT71KXZE3-W
FDUT71KXE6F-E



Symbol	Model	Content
		71
A	Gas piping	φ15.88 (5/8") (Flare)
B	Liquid piping	φ9.52 (3/8") (Flare)
C1	Drain piping	VP25 (O.D.32)
C2	Drain piping (Gravity drainage)	VP25 (O.D.32)
D	Hole for wiring	φ25 x 2
E	Suspension bolts	M10
F	Inspection opening	(450X450), (270X1170)

Note The model name label is attached on the lid of the control box.



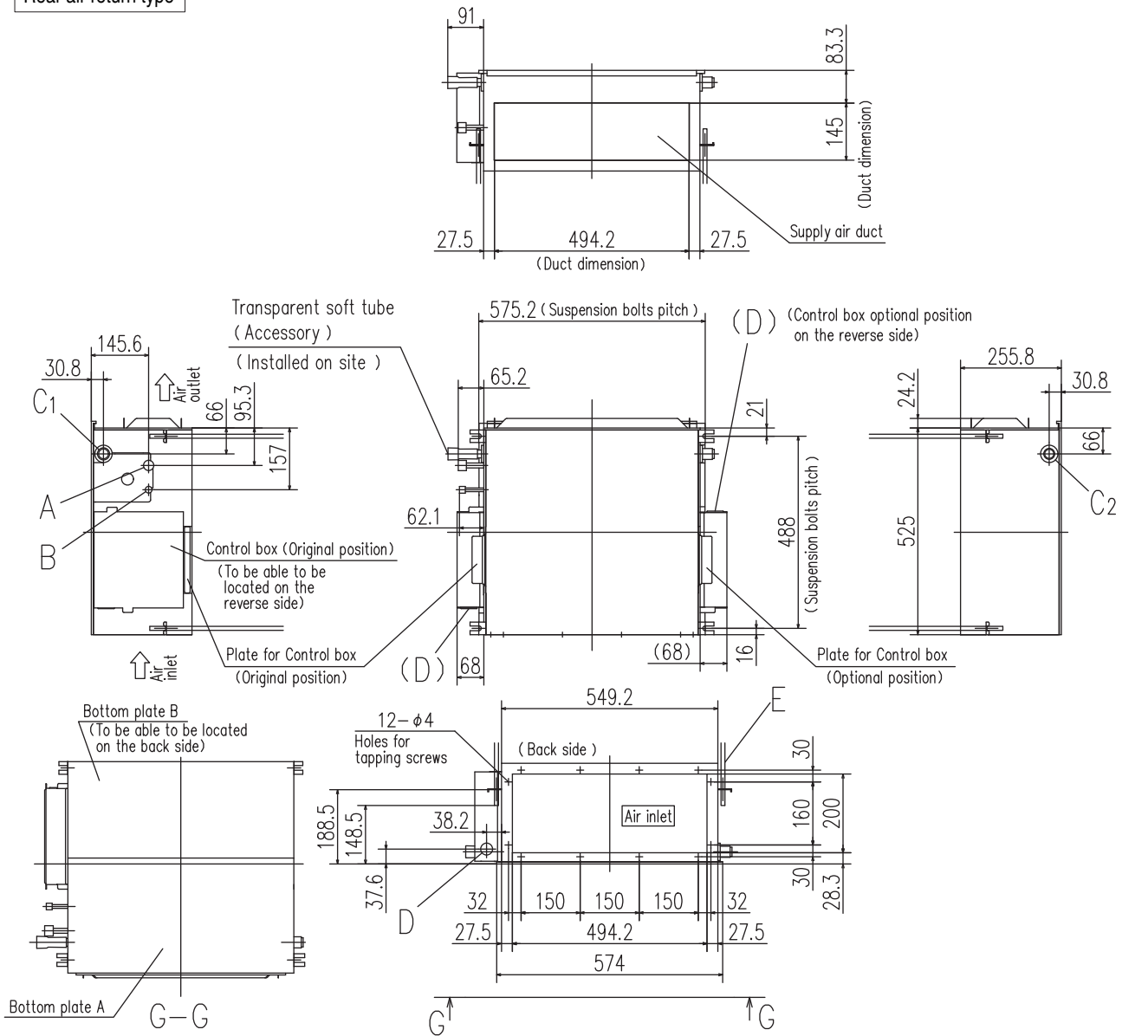
Duct Connected (Compact & Flexible)

FDUH

FDUH22KXZE3-W, FDUH28KXZE3-W, FDUH36KXZE3-W
 FDUH22KXE6F, FDUH28KXE6F, FDUH36KXE6F

All measurements in mm.

Rear air return type

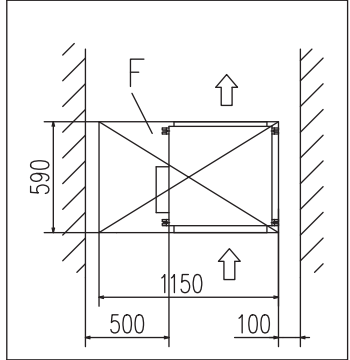


Symbol	Content		
	Model	22,28	36
A	Gas piping	φ9.52 (3/8") (Flare)	φ12.7 (1/2") (Flare)
B	Liquid piping	φ6.35 (1/4") (Flare)	
C1	Drain piping	VP20 (I.D.20, O.D.26) Note (2)	
C2	Drain piping	To be used instead of "C1"	
D	Hole for wiring	φ30	
E	Suspension bolts	(M10)	
F	Inspection hole	(590X1150) Note (3)	

Notes

- (1) The model name label is attached on the fan case inside the air return grille.
- (2) Prepare the connecting socket (VP20) on site. (As for drain piping, it is possible to choose C1 or C2)
- (3) When control box is located on the reverse side, installation space should be modified new location.

Space for installation and service



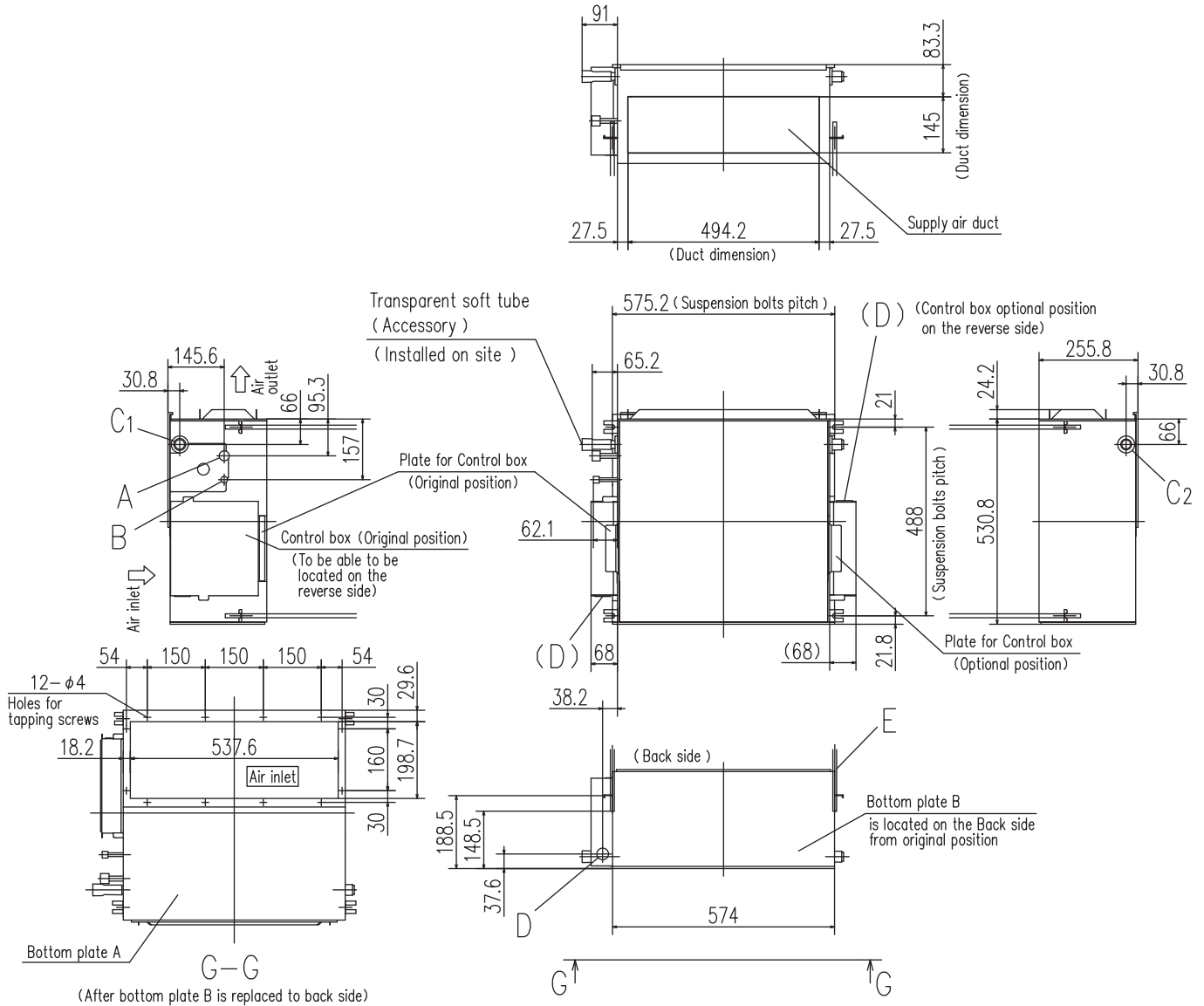
Duct Connected (Compact & Flexible)

FDUH

FDUH22KXZE3-W, FDUH28KXZE3-W, FDUH36KXZE3-W
 FDUH22KXE6F, FDUH28KXE6F, FDUH36KXE6F

All measurements in mm.

Bottom suction type

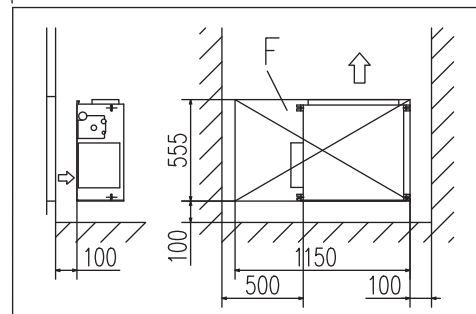


Symbol	Content		
	Model	22,28	36
A	Gas piping	φ9.52 (3/8") (Flare)	φ12.7 (1/2") (Flare)
B	Liquid piping	φ6.35 (1/4") (Flare)	
C1	Drain piping	VP20 Note (2)	
C2	Drain piping	To be used instead of "C1"	
D	Hole for wiring	φ30	
E	Suspension bolts	(M10)	
F	Inspection hole	(555X1150) Note (3)	

Notes

- (1) The model name label is attached on the fan case inside the air return grille.
- (2) Prepare the connecting socket (VP20) on site.
(As for drain piping, it is possible to choose C1 or C2)
- (3) When control box is located on the reverse side, installation space should be modified new location.

Space for installation and service



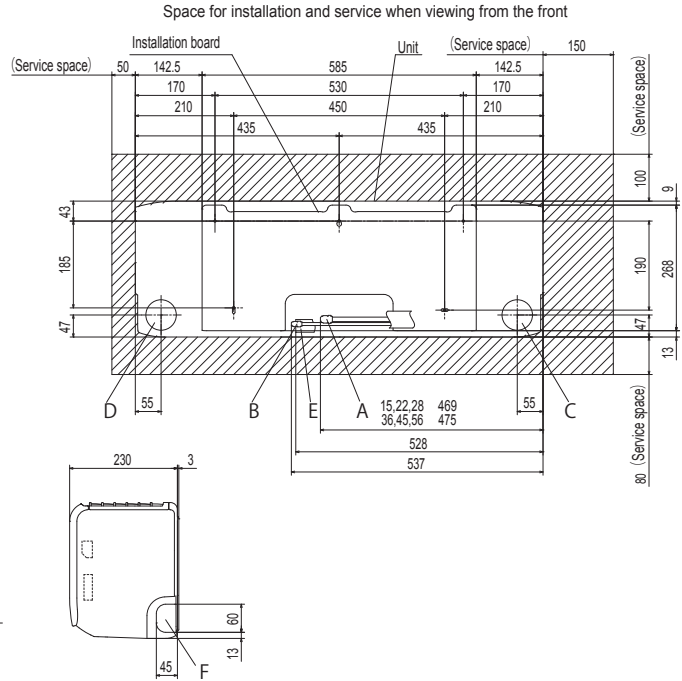
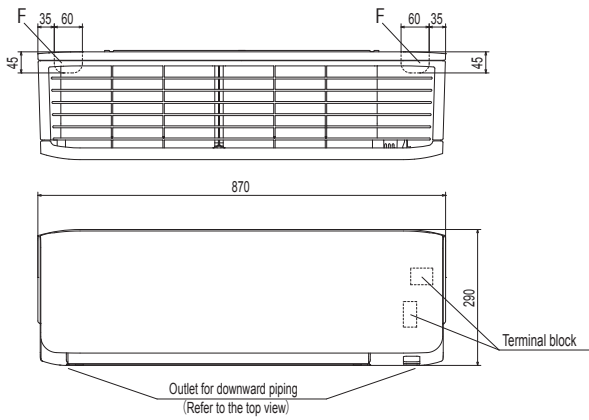
Wall Mounted FDK

FDK15KXZE3-W, FDK22KXZE3-W, FDK28KXZE3-W, FDK36KXZE3-W, FDK45KXZE3-W, FDK56KXZE3-W
FDK15KXZE1, FDK22KXZE1, FDK28KXZE1, FDK36KXZE1, FDK45KXZE1, FDK56KXZE1

All measurements in mm.

Symbol	Content	
	Model	
A	Gas piping	15.22.28 $\phi 9.52(3/8")$ (Flare) $\phi 12.7(1/2")$ (Flare)
B	Liquid piping	$\phi 6.35(1/4")$ (Flare)
C	Hole on wall for right rear piping	($\phi 65$)
D	Hole on wall for left rear piping	($\phi 65$)
E	Drain hose	VP16 (O.D.22)
F	Outlet for wiring (on both side)	

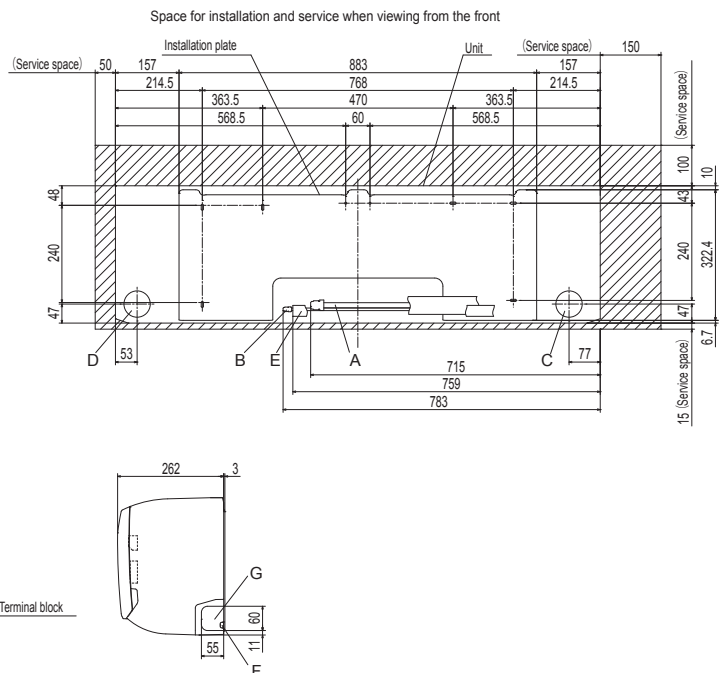
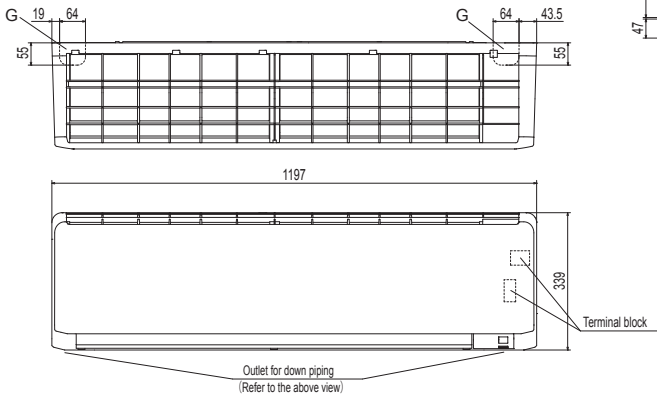
Note (1) The model name label is attached on the right side of the unit.



FDK71KXZE3-W, FDK90KXZE3-W
FDK71KXZE1, FDK90KXZE1

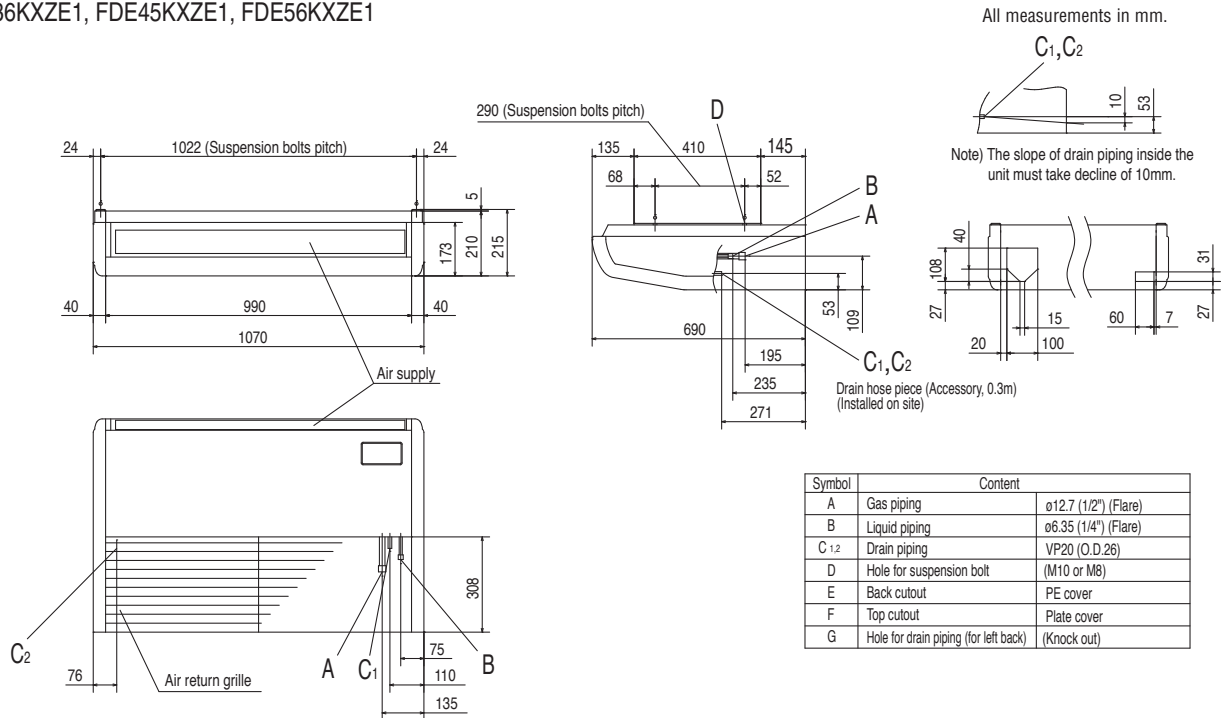
Symbol	Content	
	Model	
A	Gas piping	$\phi 15.88(5/8")$ (Flare)
B	Liquid piping	$\phi 9.52(3/8")$ (Flare)
C	Hole on wall for right rear piping	($\phi 65$)
D	Hole on wall for left rear piping	($\phi 65$)
E	Drain hose	VP16 (O.D.22)
F	Outlet for wiring (on both side)	
G	Outlet for piping (on both side)	

Note (1) The model name label is attached on the underside of the indoor unit.

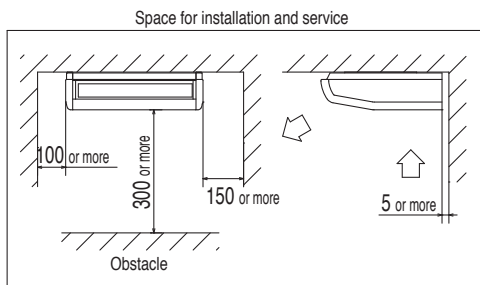
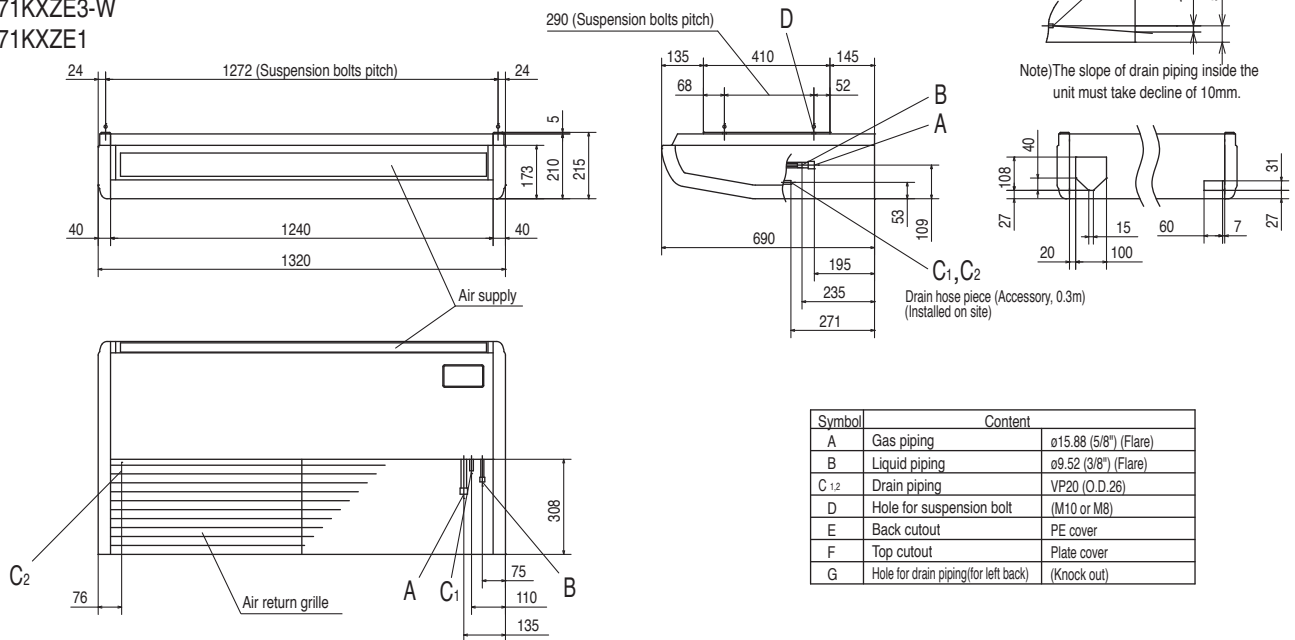


Ceiling Suspended FDE

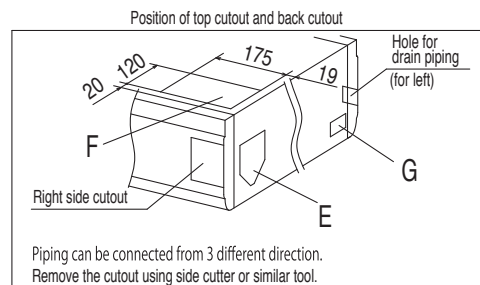
FDE36KXZE3-W, FDE45KXZE3-W, FDE56KXZE3-W
FDE36KXZE1, FDE45KXZE1, FDE56KXZE1



FDE71KXZE3-W
FDE71KXZE1



Make a space of 4000(36-56), 4500(71) or more between the units when installing more than one.

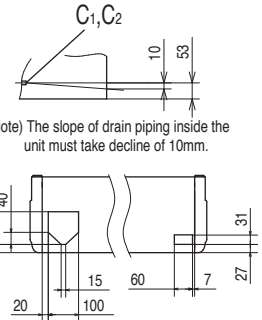
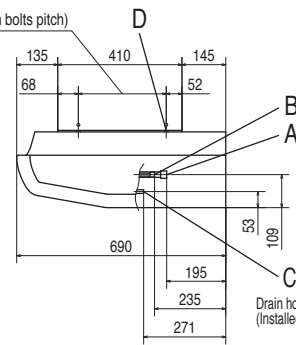
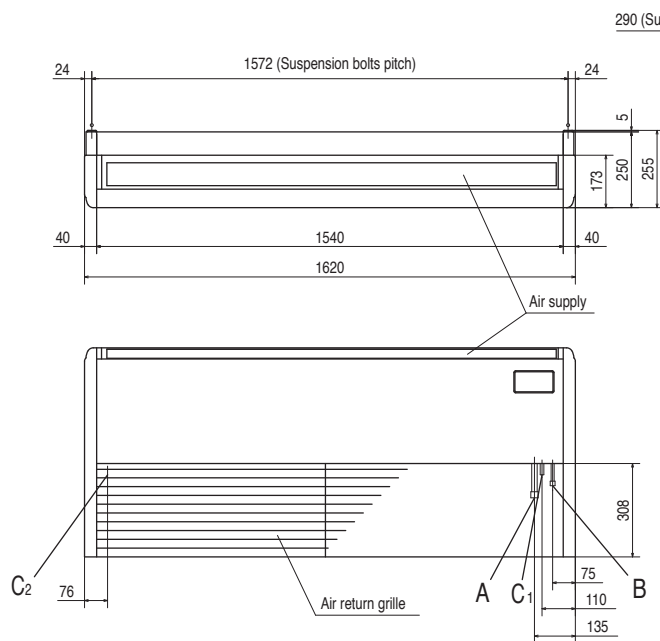


Note(1) The model name label is attached on the fan casing inside the air return grille.

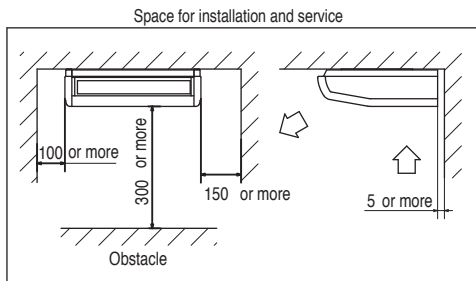
Ceiling Suspended FDE

FDE112KXZE3-W, FDE140KXZE3-W
FDE112KXZE1, FDE140KXZE1

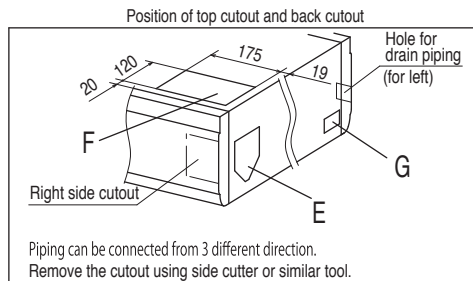
All measurements in mm.



Symbol	Content	
A	Gas piping	ø15.88 (5/8") (Flare)
B	Liquid piping	ø9.52 (3/8") (Flare)
C _{1,2}	Drain piping	VP20 (O.D.26)
D	Hole for suspension bolt	(M10 or M8)
E	Back cutout	PE cover
F	Top cutout	Plate cover
G	Hole for drain piping (for left back)	(Knock out)



Make a space of 5000 or more between the units when installing more than one.

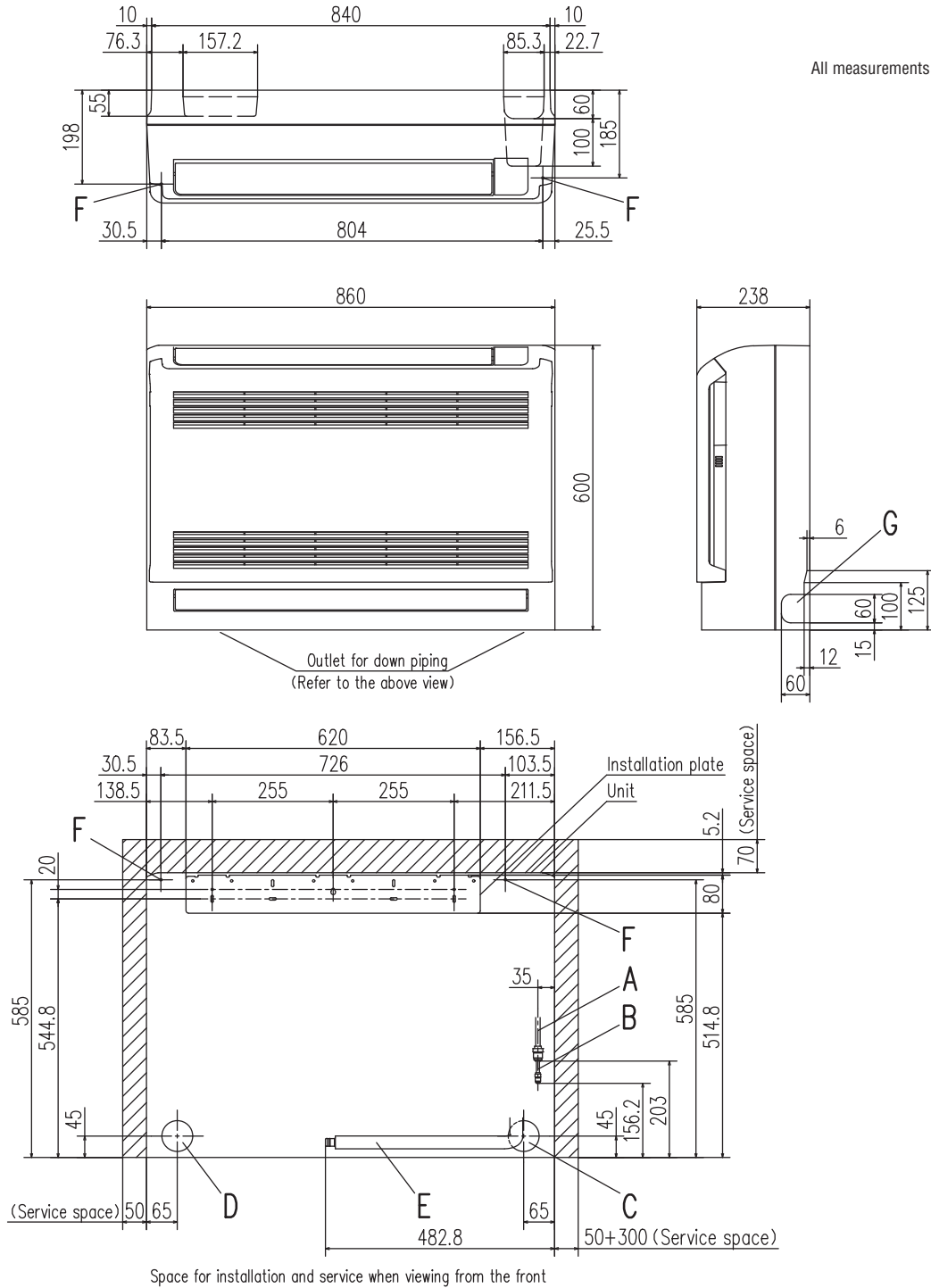


Piping can be connected from 3 different direction.
Remove the cutout using side cutter or similar tool.

Note(1)The model name label is attached on the fan casing inside the air return grille.

Floor Standing -2way- FDFW

FDFW28KXE6F, FDFW45KXE6F, FDFW56KXE6F



Symbol	Model	Content	
		28	45,56
A	Gas piping	φ9.52 (3/8") (Flare)	φ12.7 (1/2") (Flare)
B	Liquid piping	φ6.35 (1/4") (Flare)	
C	Hole on wall for right rear piping	(φ65)	
D	Hole on wall for left rear piping	(φ65)	
E	Drain hose	VP16 (O.D.22)	
F	Screw point fasten the indoor unit	φ5	
G	Outlet for piping (on both side)		

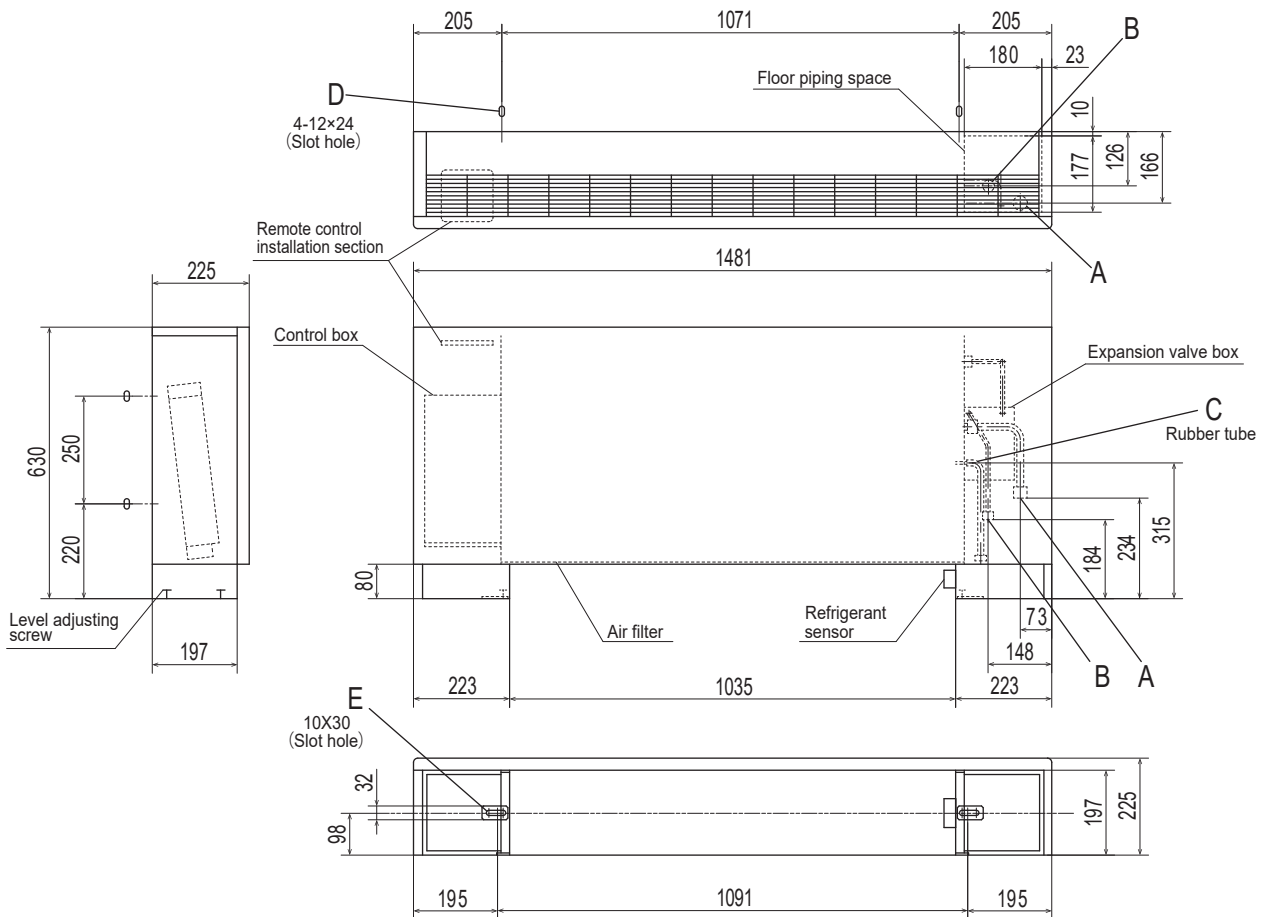
Notes

- (1) The model name label is attached on the rightside of the unit.
- (2) In case of wall installation, leave the unit 150mm or less from the floor.

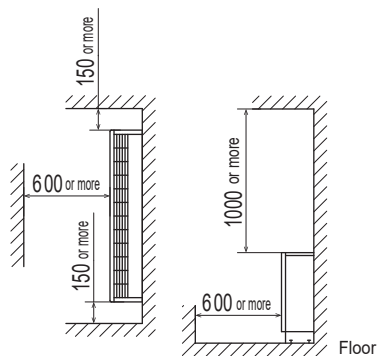
Floor Standing (with casing) FDFL

FDFL71KXZE3-W

All measurements in mm.



Space for installation and service



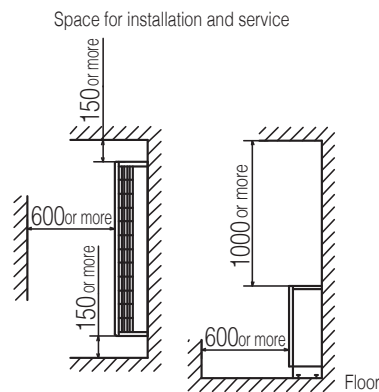
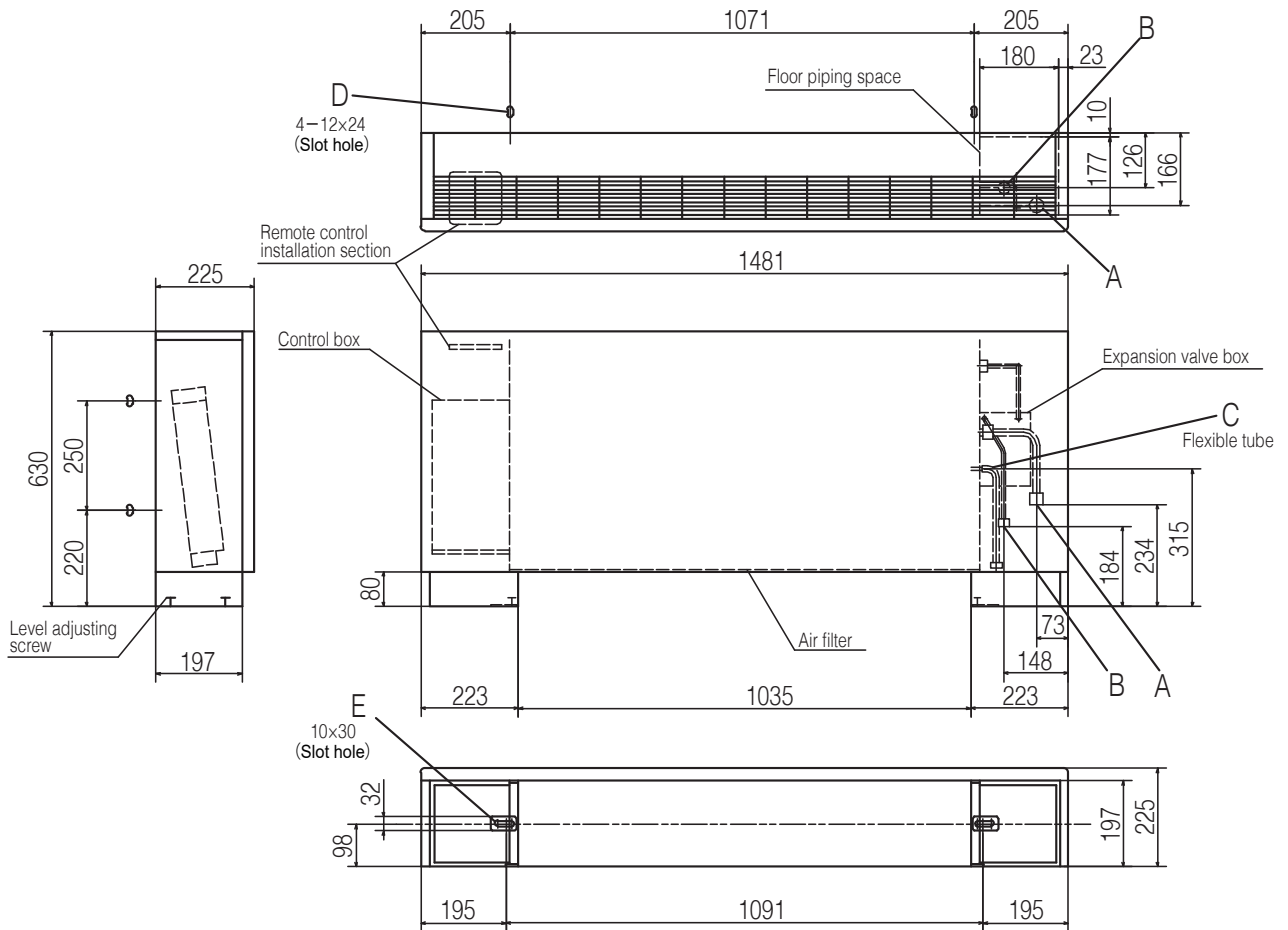
Symbol	Content	
A	Gas piping (Accessory)	φ 15.88 (5/8") (Flare)
B	Liquid piping	φ 9.52 (3/8") (Flare)
C	Drain piping (Accessory)	PT20A female screw
D	Slot hole for wall mounting	M10
E	Metal plate for floor mounting (Accessory)	M8

Note The model name label is attached on fan casing.

Floor Standing (with casing) FDFL

FDFL71KXE6F

All measurements in mm.



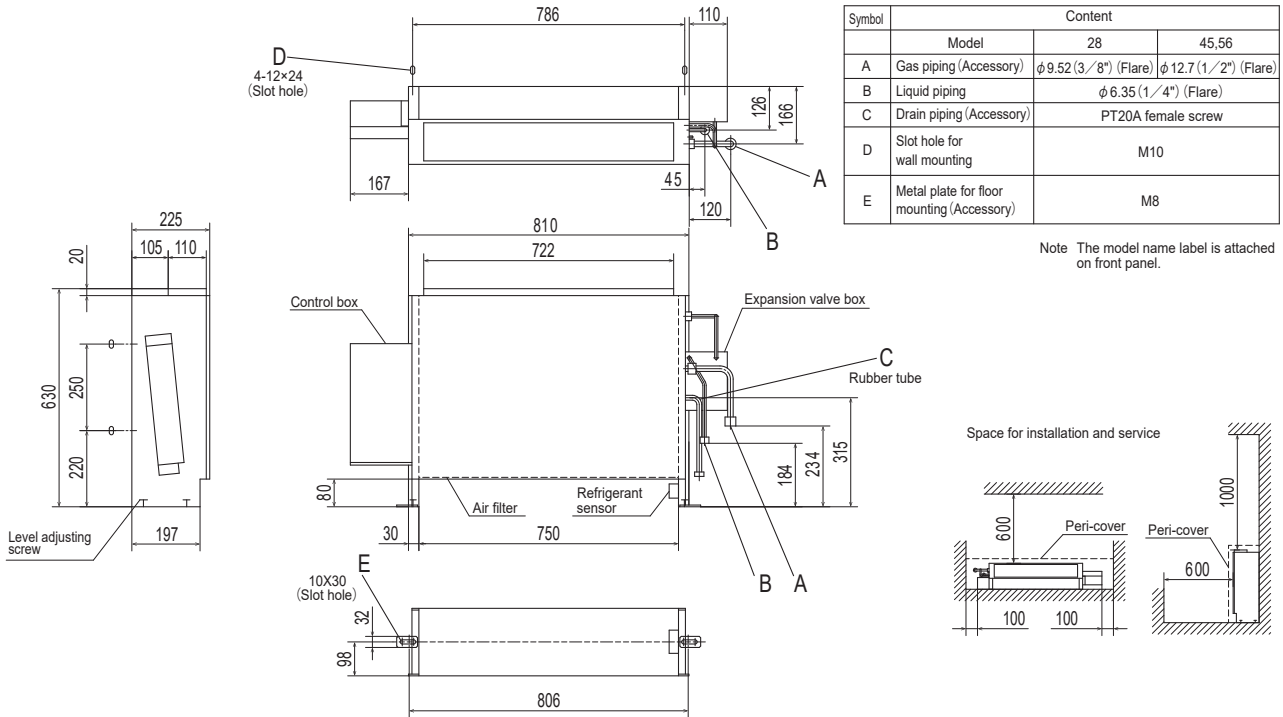
Symbol	Content	
A	Gas piping (Accessory)	ϕ 15.88 (5/8") (Flare)
B	Liquid piping	ϕ 9.52 (3/8") (Flare)
C	Drain piping (Accessory)	PT20A female screw, 360mm
D	Slot hole for wall mounting	(M10)
E	Metal plate for floor mounting (Accessory)	(M8)

Note The model name label is attached on the lid of the control box.

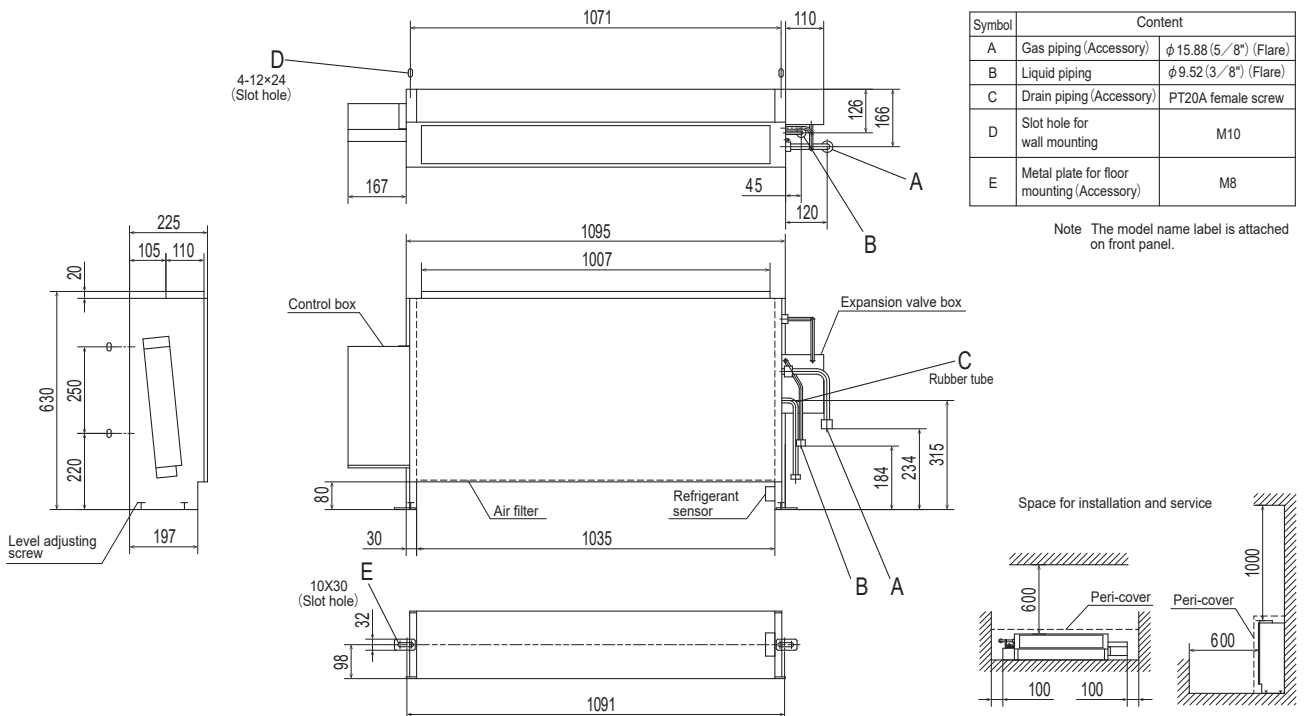
Floor Standing (without casing) FDFU

FDFU28KXZE3-W, FDFU45KXZE3-W, FDFU56KXZE3-W

All measurements in mm.



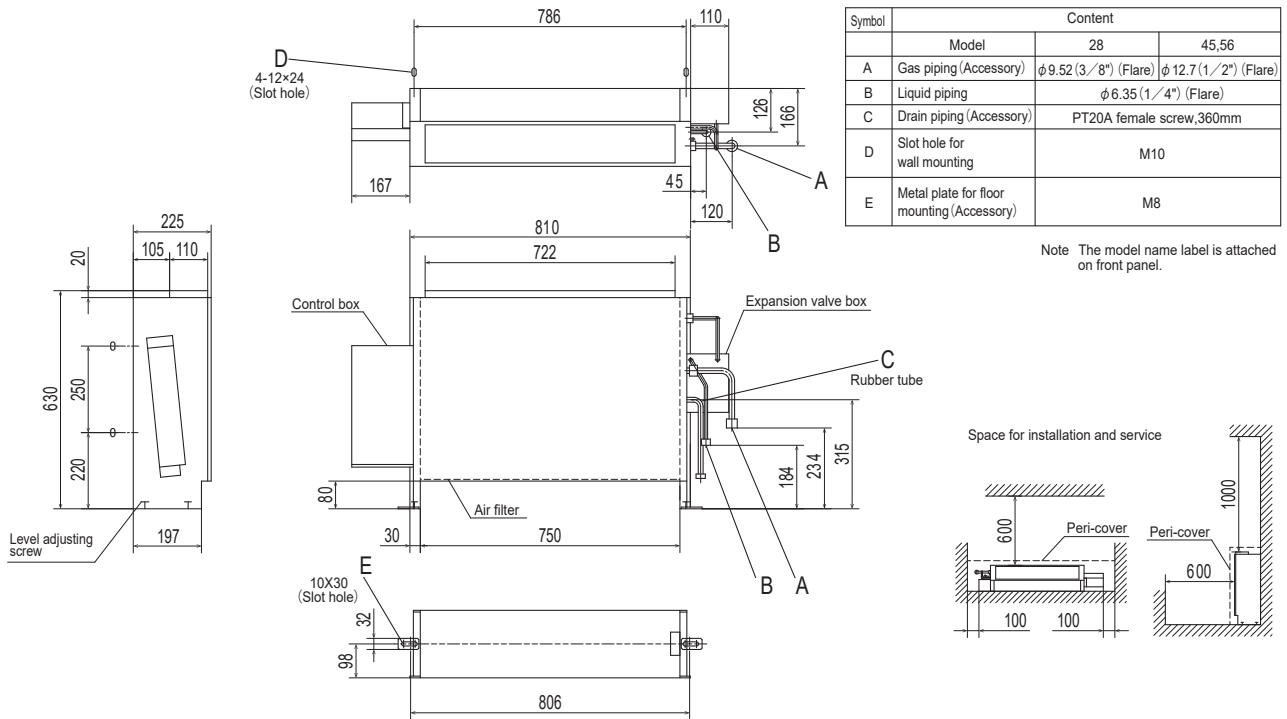
FDFU71KXZE3-W



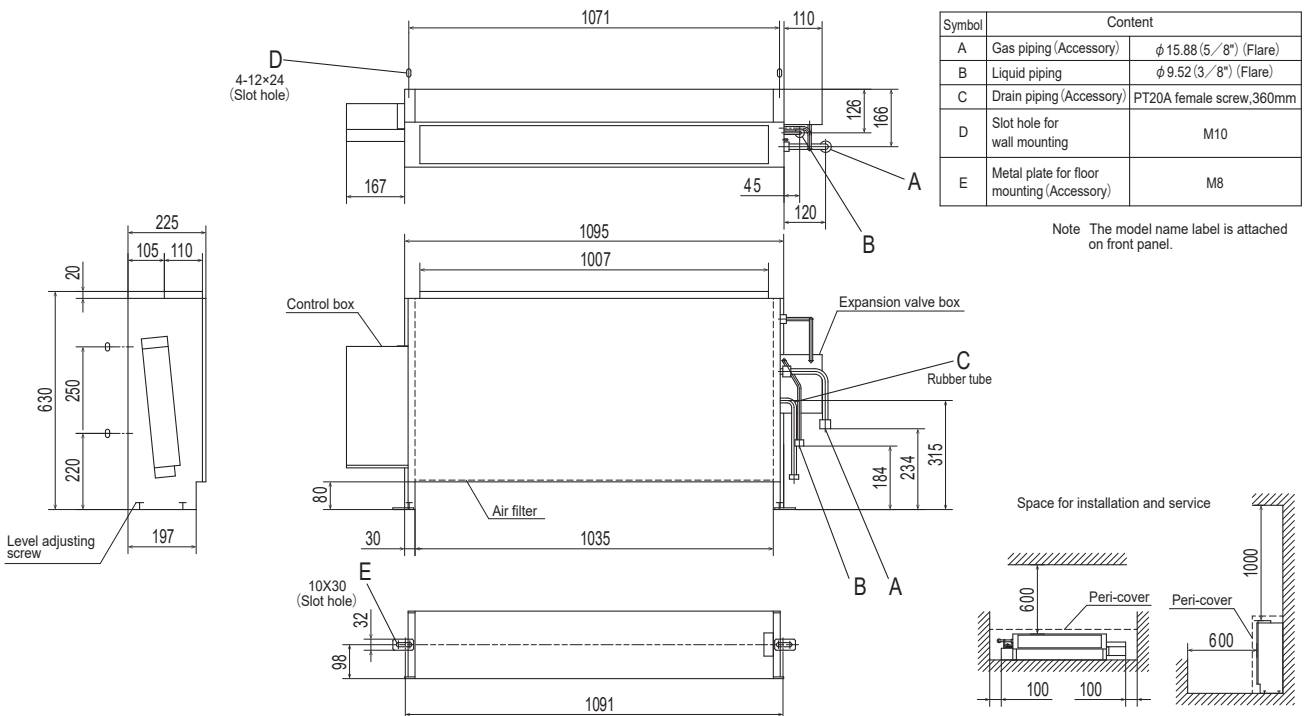
Floor Standing (without casing) FDFU

FDFU28KXE6F, FDFU45KXE6F, FDFU56KXE6F

All measurements in mm.



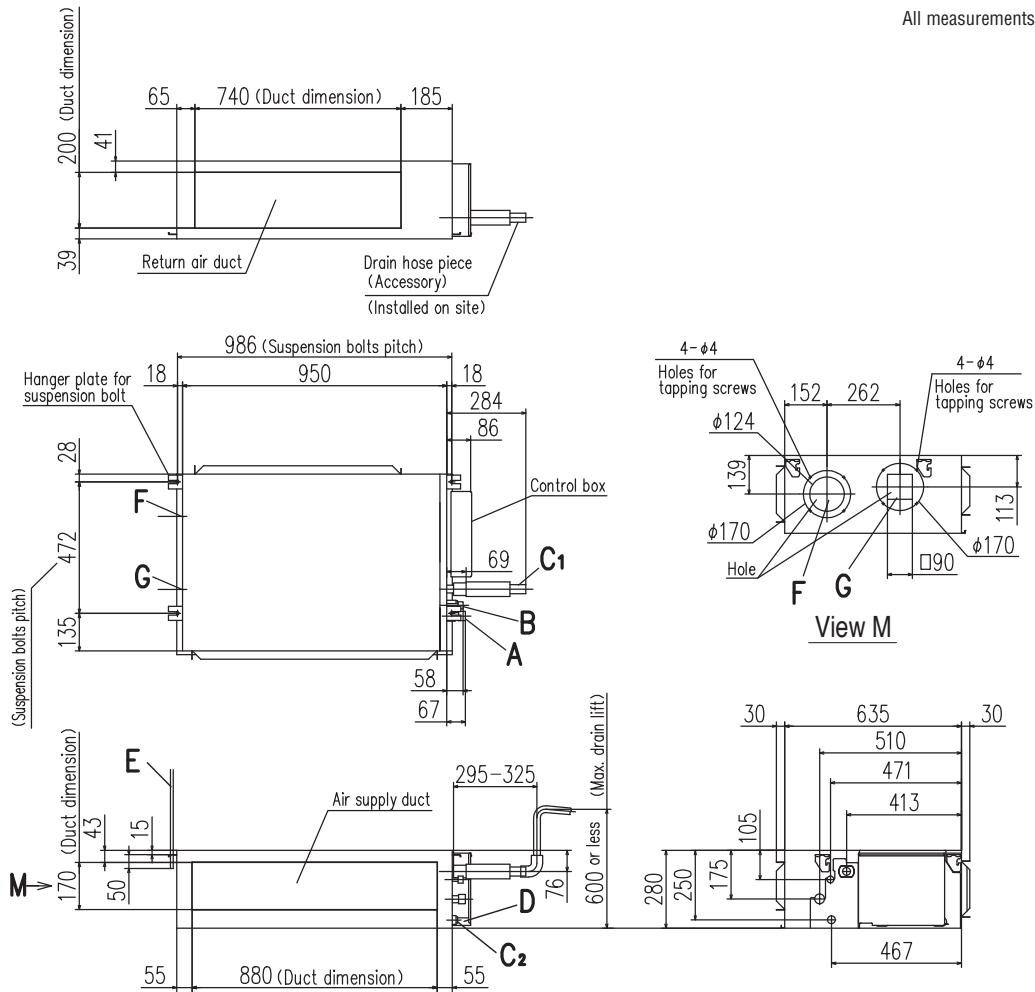
FDFU71KXE6F



Outdoor Air Processing unit FDU-F

FDU650FKXZE1

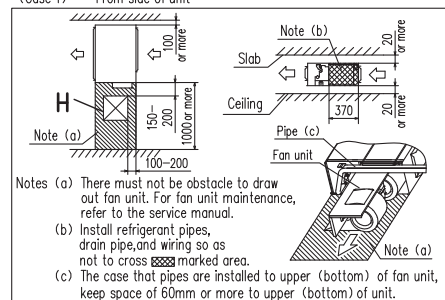
All measurements in mm.



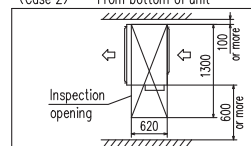
Symbol	Content	
A	Gas piping	ø15.88 (5/8") (Flare)
B	Liquid piping	ø9.52 (3/8") (Flare)
C1	Drain piping	VP25(O.D.32)
C2	Drain piping(Gravity drainage)	V20(O.D.26)
D	Hole for wiring	
E	Suspension bolts	M10
F	Outside air opening for ducting	(Knock out)
G	Air outlet opening for ducting	(Knock out)
H	Inspection opening	(450X450)

Space for installation and service

Select either of two cases to keep space for installation and services.
(Case 1) From side of unit



(Case 2) From bottom of unit

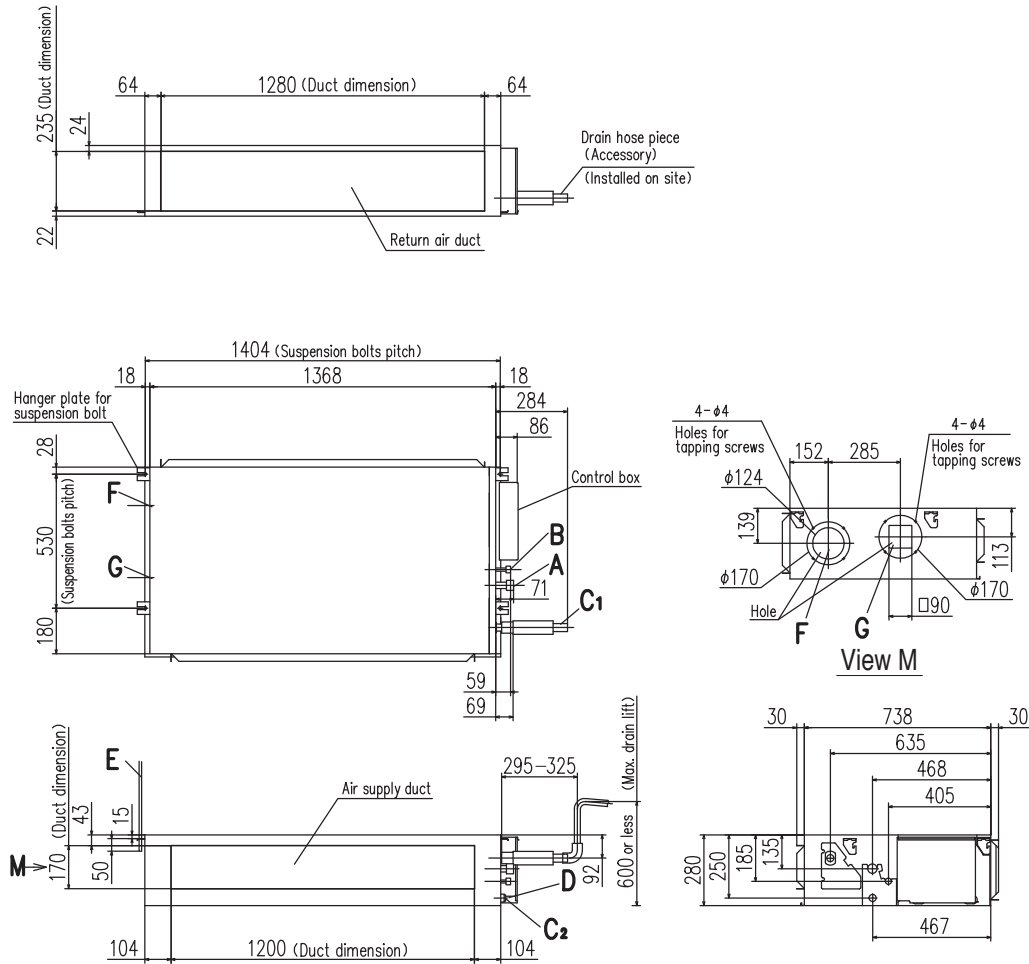


Note (1) The model name label is attached on the lid of the control box.

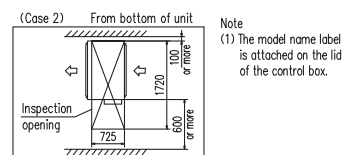
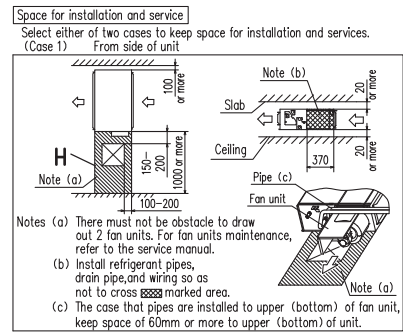
Outdoor Air Processing unit FDU-F

FDU1100FKXZE1

All measurements in mm.

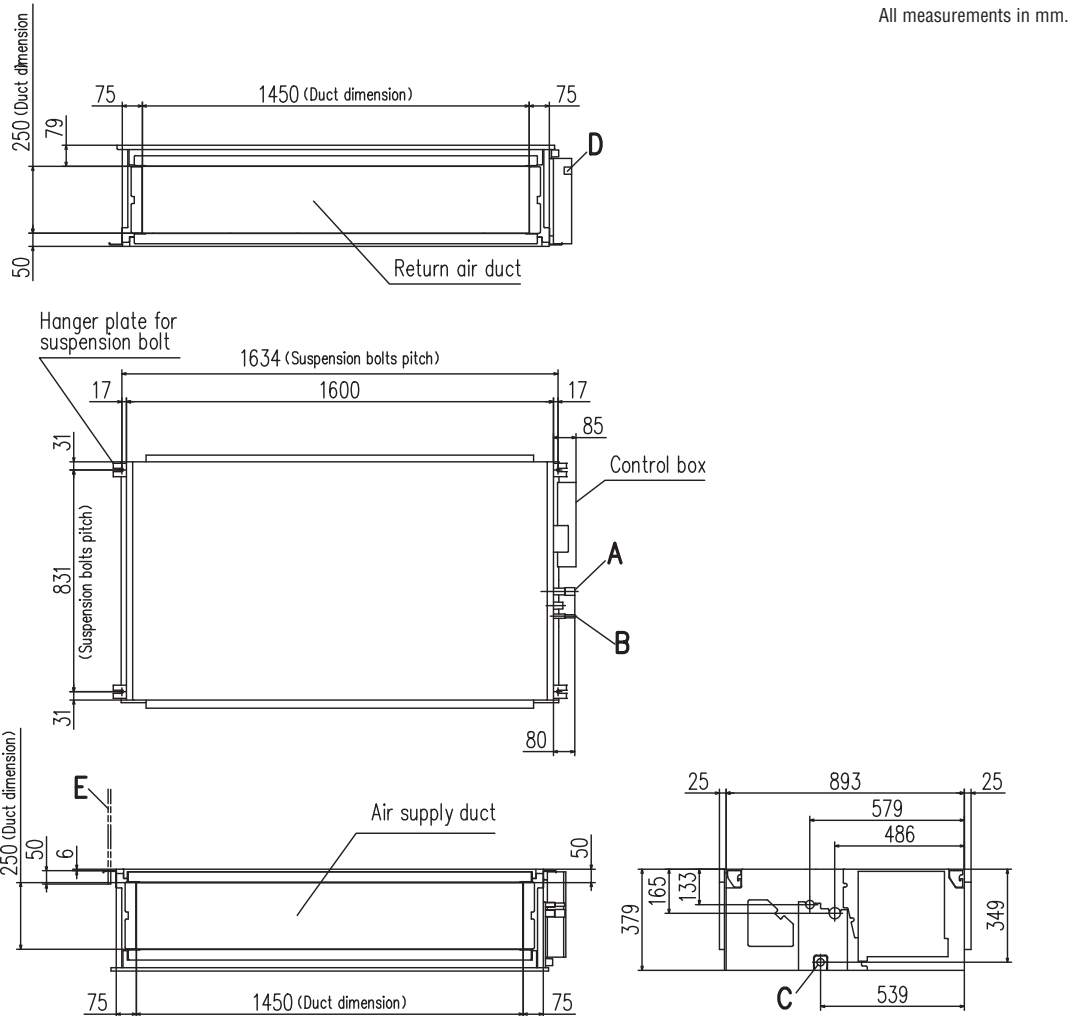


Symbol	Content	
A	Gas piping	ø15.88 (5/8") (Flare)
B	Liquid piping	ø9.52 (3/8") (Flare)
C1	Drain piping	VP25(O.D.32)
C2	Drain piping(Gravity drainage)	V20(O.D.26)
D	Hole for wiring	
E	Suspension bolts	M10
F	Outside air opening for ducting	(Knock out)
G	Air outlet opening for ducting	(Knock out)
H	Inspection opening	(450X450)



Outdoor Air Processing unit FDU-F

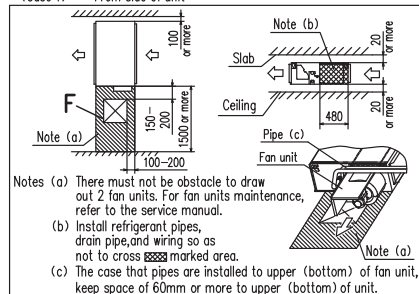
FDU1800FKXZE1, FDU2400FKXZE1



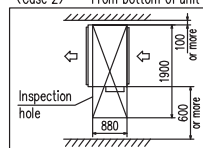
All measurements in mm.

Space for installation and service

Select either of two cases to keep space for installation and services.
(Case 1) From side of unit



(Case 2) From bottom of unit



Notes (1) The model name label is attached on the lid of the control box.

Symbol	Content MODEL	1800	2400
A	Gas piping	ø19.05 (3/4") (Brazing)	ø22.22 (7/8") (Brazing)
B	Liquid piping	ø9.52 (3/8") (Brazing)	
C	Drain piping(Gravity drainage)	VP25(O.D.32)	
D	Hole for wiring		
E	Suspension bolts	M10	
F	Inspection hole	(450X450)	

Hydro Module unit HMU

HMU140KXZE1, HMU280KXZE1

All measurements in mm.

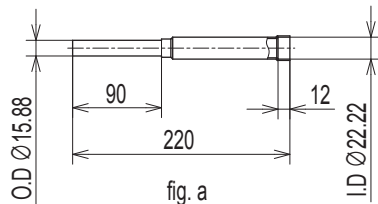
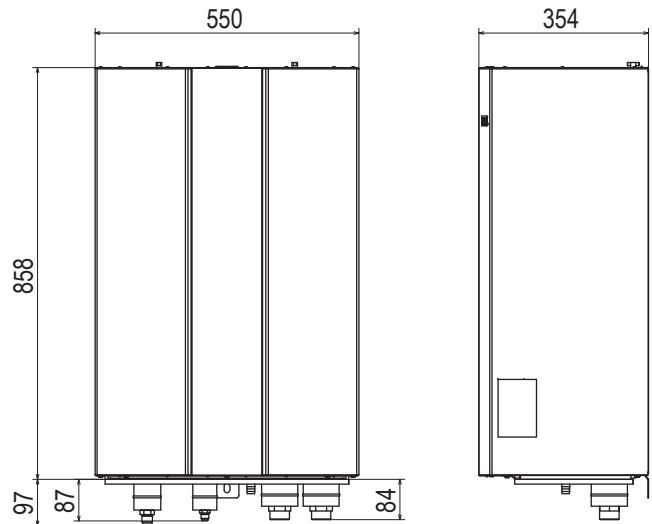
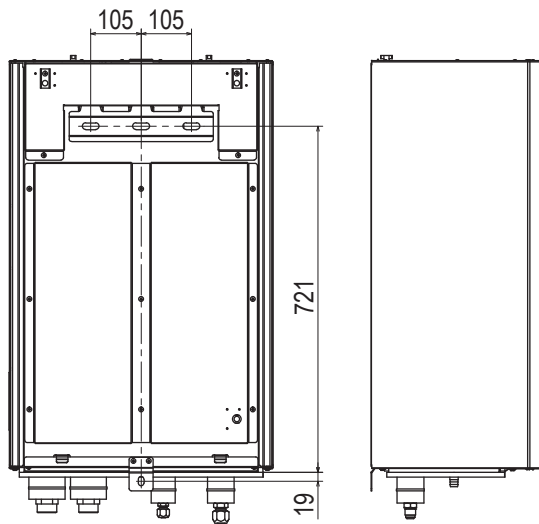


fig. a
Scale : 1:5
(Only for HMU280KXZE1)

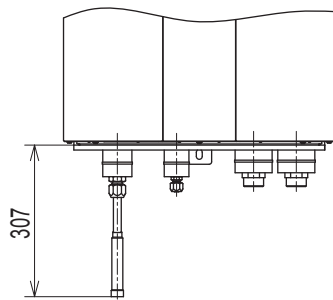
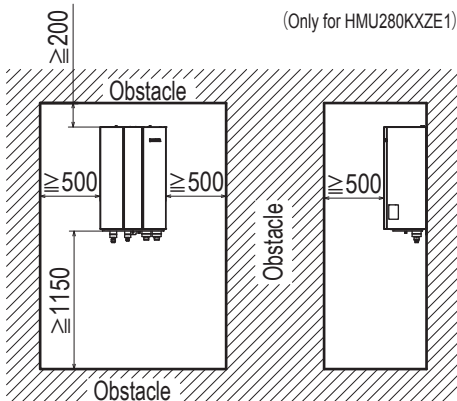
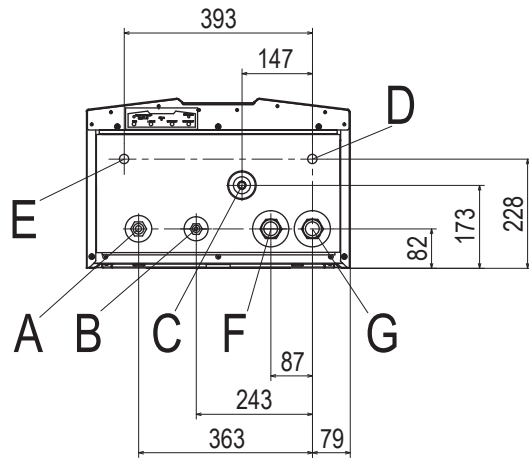


fig. b
(Only for HMU280KXZE1)



Space for installation and service

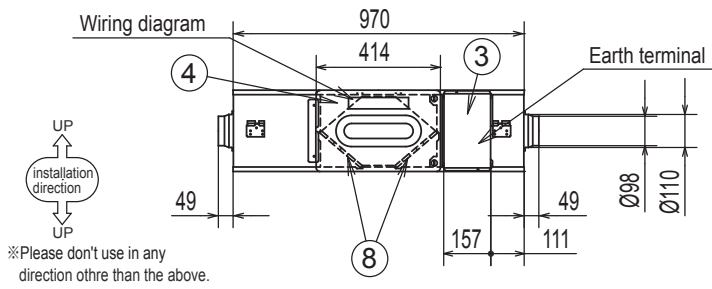
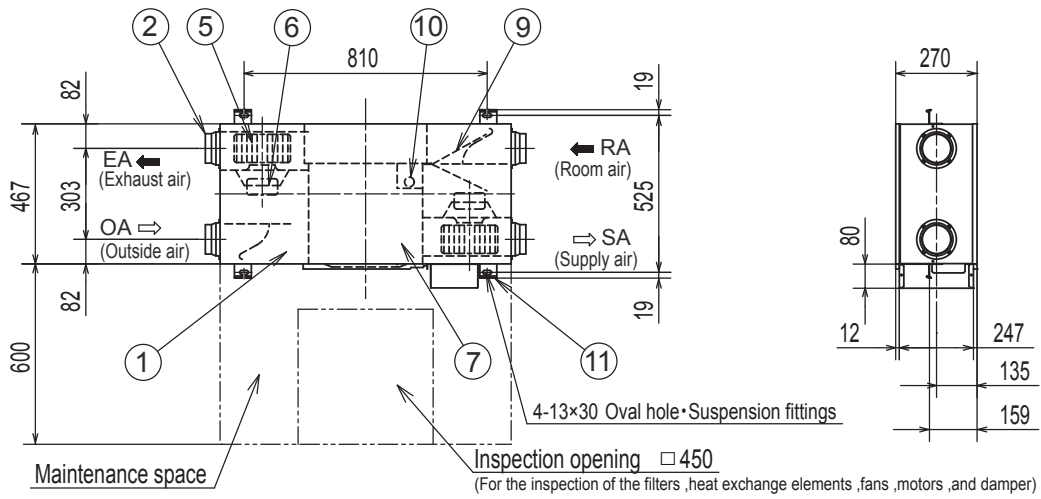
Symbol	Content	MODEL	
		HMU140KXZE1	HMU280KXZE1
A	Gas piping	ϕ 15.88 (5/8") (Flare)	ϕ 15.88 (5/8") (Flare) ※1
B	Liquid piping	ϕ 9.52 (3/8") (Flare)	ϕ 9.52 (3/8") (Flare)
C	Drain socket (Gravity drainage)	PVC, ϕ 17 (O.D), t1.2	PVC, ϕ 17 (O.D), t1.2
D	Hole for power cable	ϕ 20	ϕ 20
E	Hole for signal line	ϕ 20	ϕ 20
F	Water inlet	PT1-1/4	PT1-1/4
G	Water outlet	PT1-1/4	PT1-1/4

※1 Accessory pipe (fig.a) needs to be connected for gas pipe on site.
Therefore, the diameter of the gas pipe connected with the local piping is ϕ 22.22 (Brazing) (f ig.b).

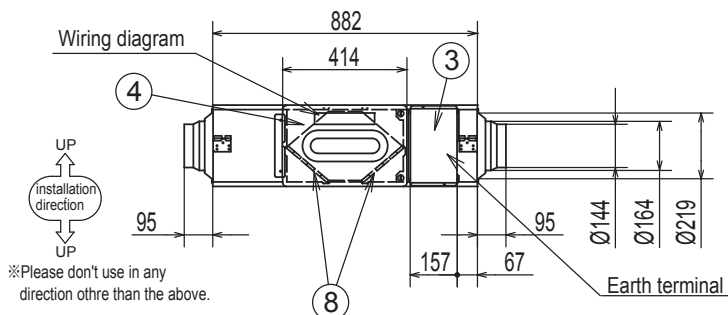
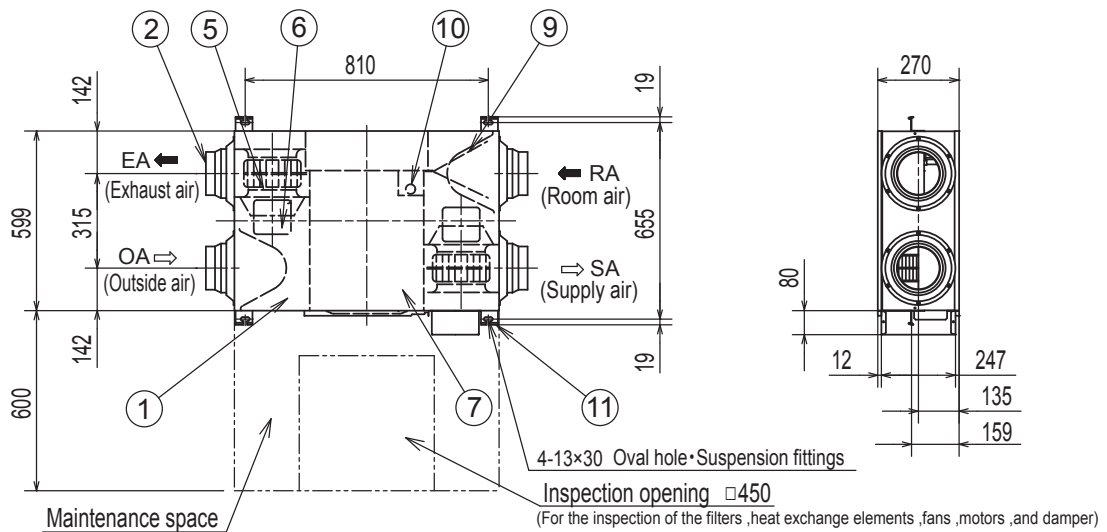
Fresh Air Ventilation and Heat Exchange unit SAF-E7

SAF150E7

All measurements in mm.



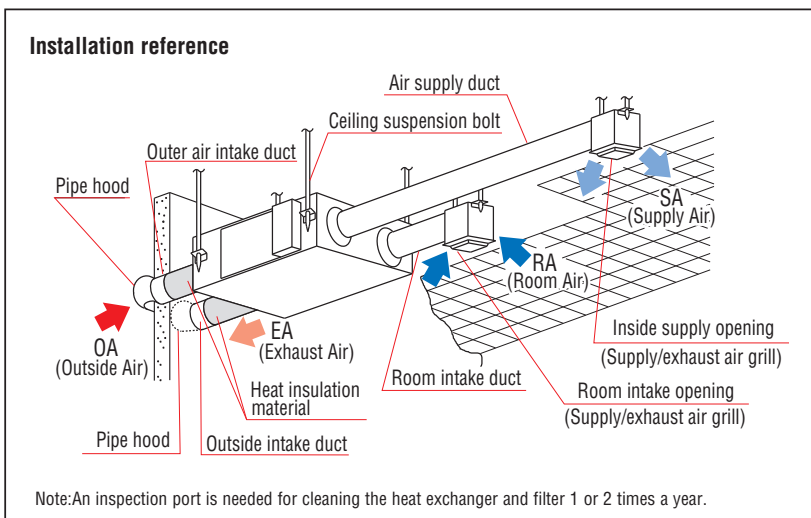
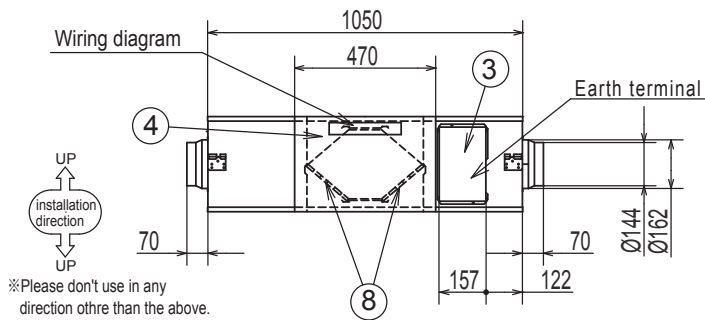
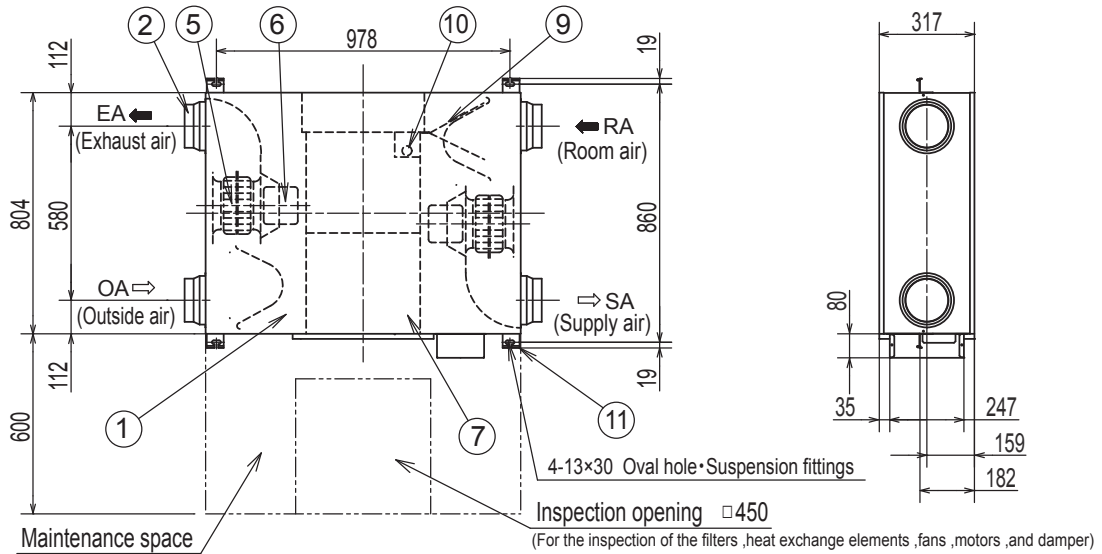
SAF250E7



Fresh Air Ventilation and Heat Exchange unit SAF-E7

SAF350E7

All measurements in mm.



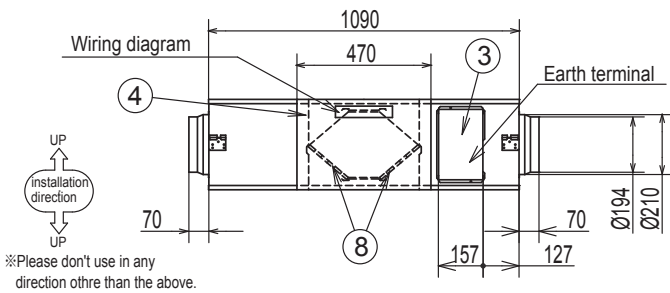
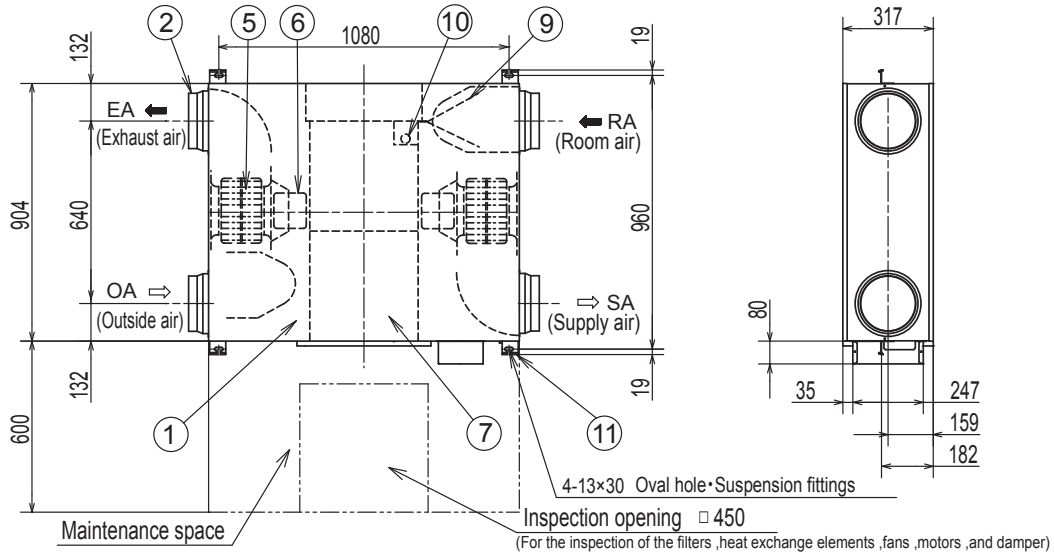
NO.	Name	Qt'y
①	Frame	1
②	Adaptor	4
③	Terminal board	1
④	Inspection Cover	1
⑤	Fan	2 ※
⑥	Motor	2 ※
⑦	Heat Exchange Element SAF150E7 SAF250E7 SAF350E7	1 1 2
⑧	Filter	2
⑨	Damper	1
⑩	Damper Motor	1
⑪	Suspension fitting	4
⑫	Electrical components box	1

※Model SAF350E7 have different fan and motor locations.

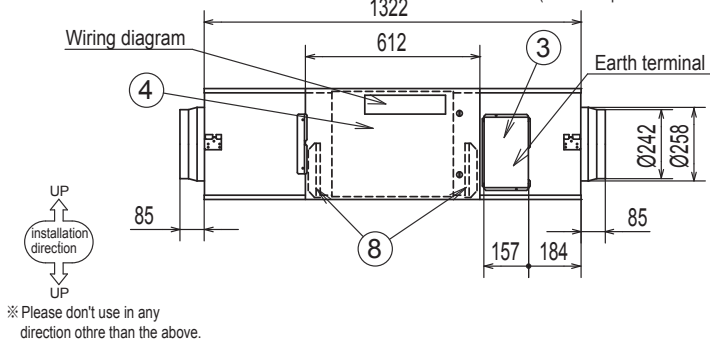
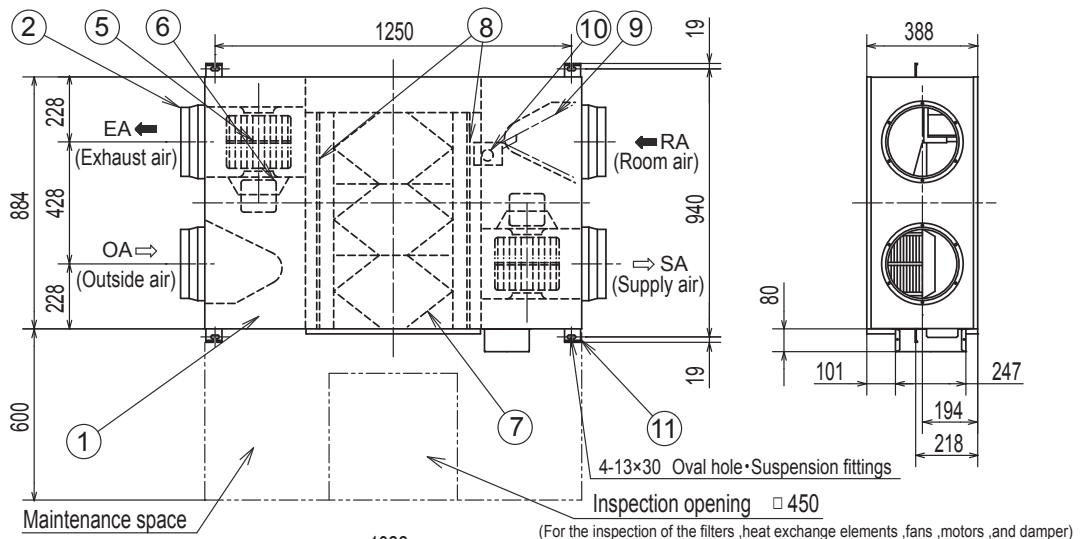
Fresh Air Ventilation and Heat Exchange unit SAF-E7

SAF500E7

All measurements in mm.



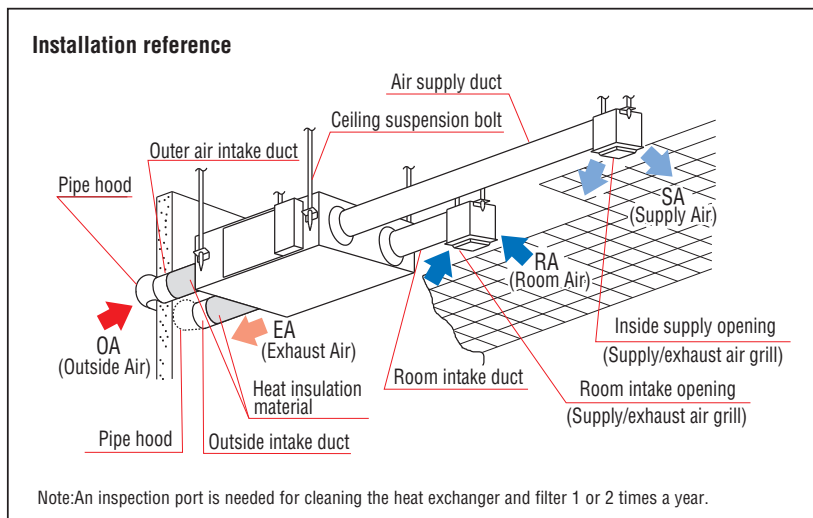
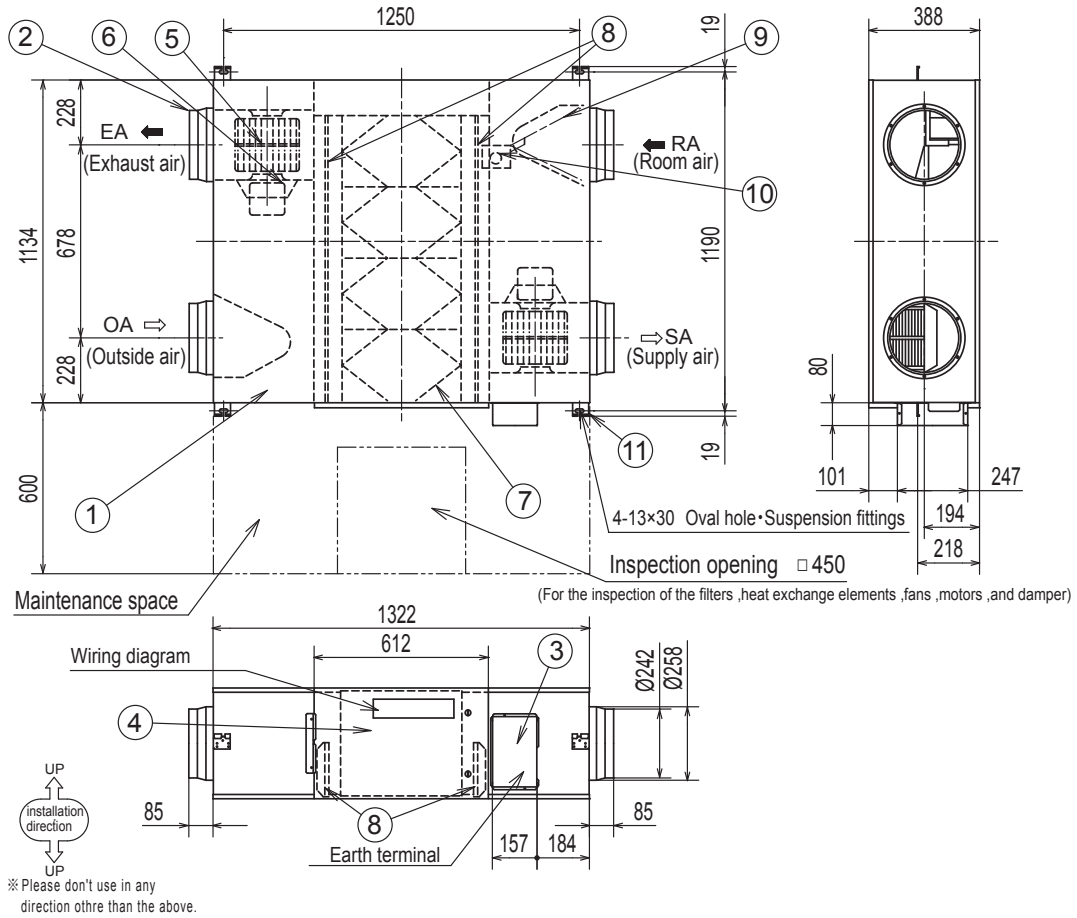
SAF800E7



Fresh Air Ventilation and Heat Exchange unit SAF-E7

SAF1000E7

All measurements in mm.



NO.	Name	Qt'y
①	Frame	1
②	Adaptor	4
③	Terminal board	1
④	Inspection Cover	1
⑤	Fan	2 ※
⑥	Motor	2 ※
⑦	Heat Exchange Element SAF500E7 SAF800E7 SAF1000E7	2 3 4
⑧	Filter	2
⑨	Damper	1
⑩	Damper Motor	1
⑪	Suspension fitting	4
⑫	Electrical components box	1

※ Model SAF500E7 have different fan and motor locations.

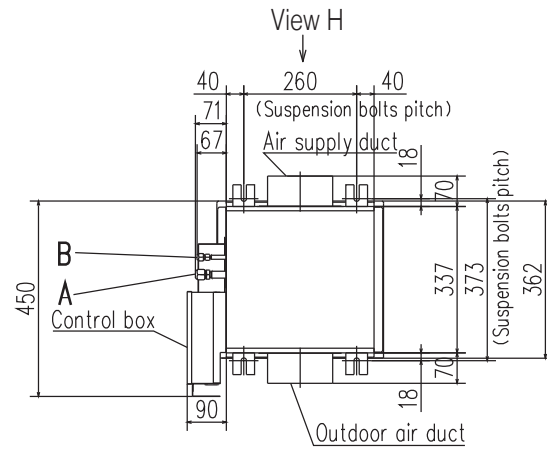
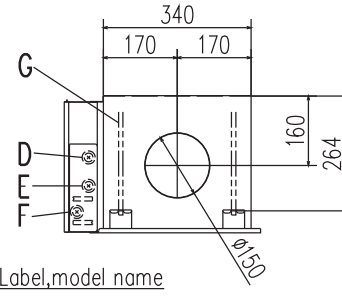
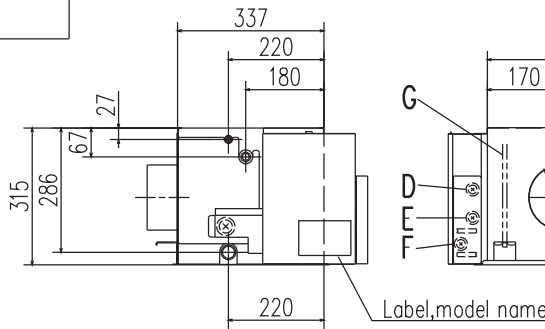
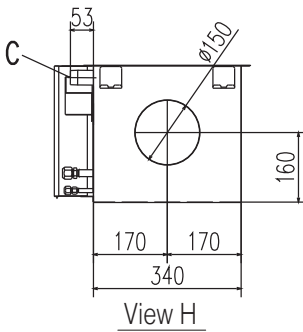
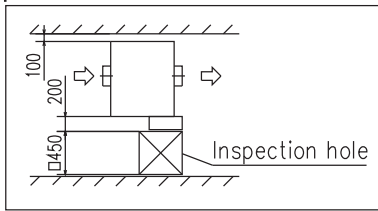
Fresh Air DX Assembly SAF-DX

SAF-DX250E6, SAF-DX350E6

All measurements in mm.

Symbol	Content	
A	Gas piping	φ9.52 (3/8") (Flare)
B	Liquid piping	φ6.35 (1/4") (Flare)
C	Drain piping	R1
D	Hole for power source line	
E	Wiring hole for total enthalpy heat exchanger	
F	Hole for communication line	
G	Suspension bolts	M10

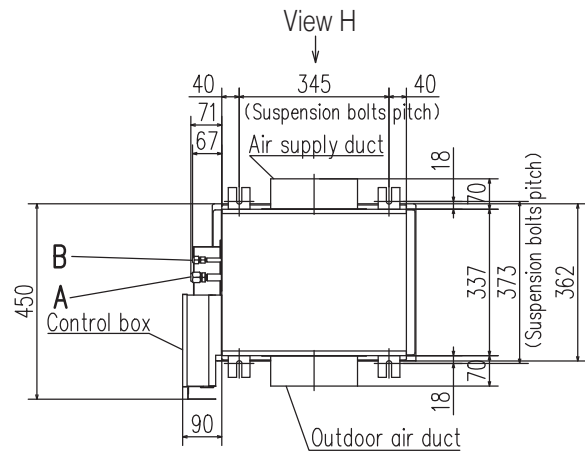
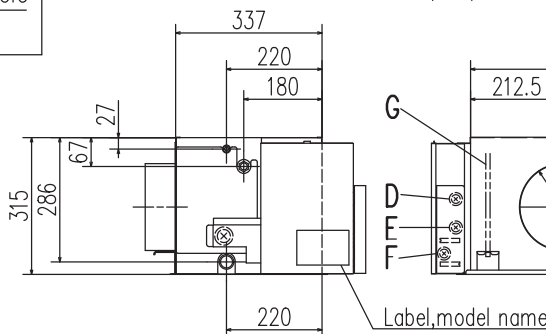
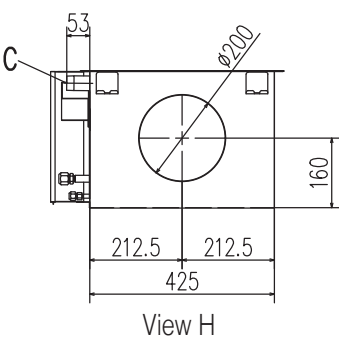
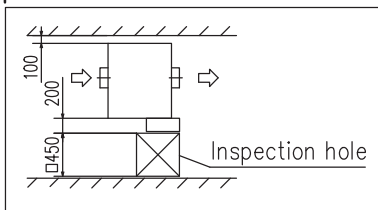
Space for installatin and service



SAF-DX500E6

Symbol	Content	
A	Gas piping	φ12.7 (1/2") (Flare)
B	Liquid piping	φ6.35 (1/4") (Flare)
C	Drain piping	R1
D	Hole for power source line	
E	Wiring hole for total enthalpy heat exchanger	
F	Hole for communication line	
G	Suspension bolts	M10

Space for installatin and service



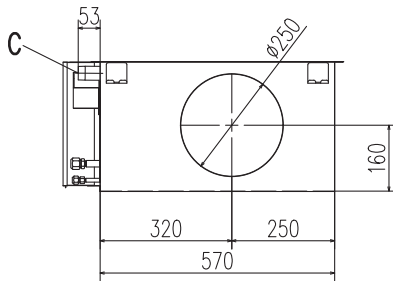
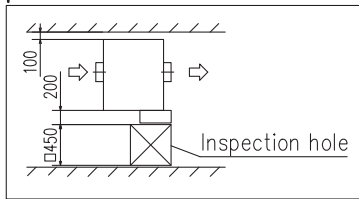
Fresh Air DX Assembly SAF-DX

SAF-DX800E6

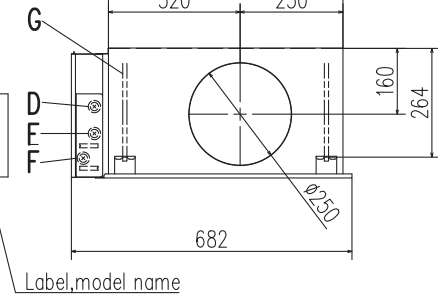
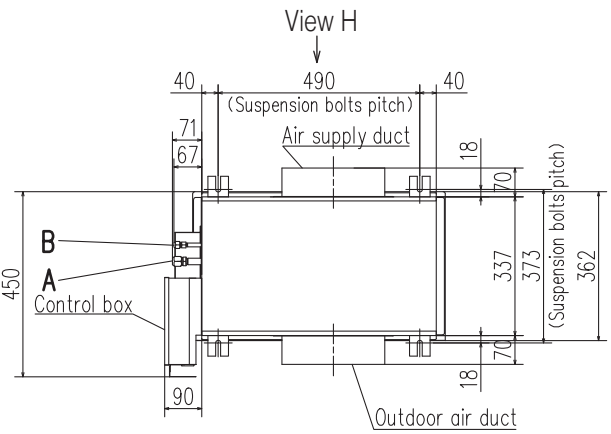
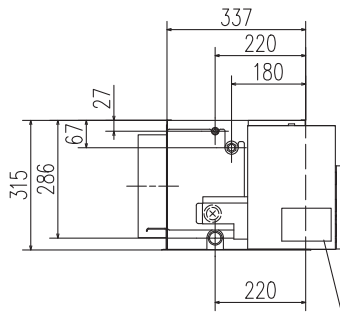
All measurements in mm.

Symbol	Content	
A	Gas piping	φ12.7 (1/2") (Flare)
B	Liquid piping	φ6.35 (1/4") (Flare)
C	Drain piping	R1
D	Hole for power source line	
E	Wiring hole for total enthalpy heat exchanger	
F	Hole for communication line	
G	Suspension bolts	M10

Space for installatin and service



View H

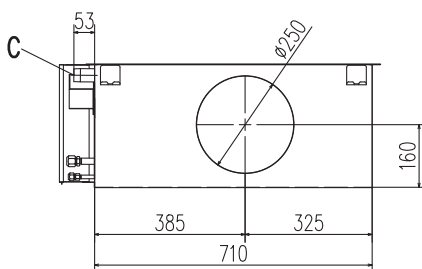
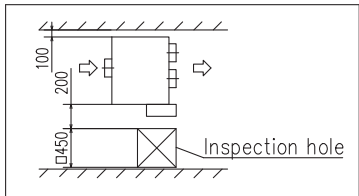


Label,model name

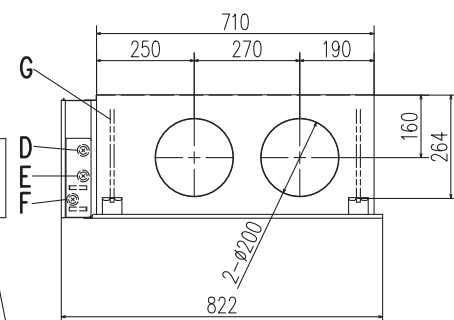
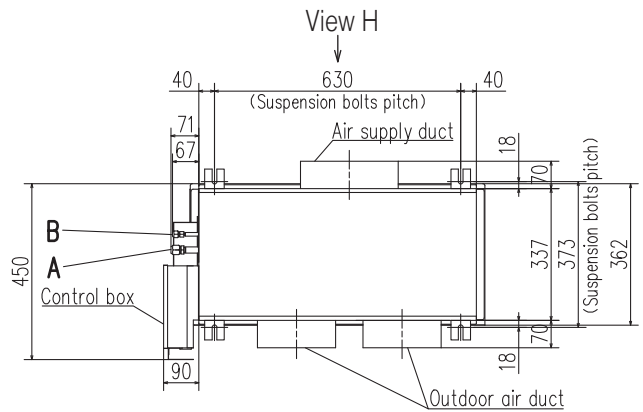
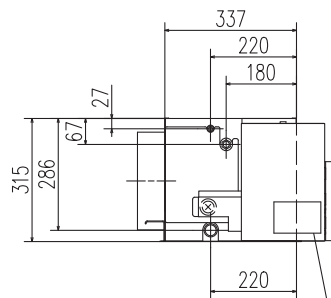
SAF-DX1000E6

Symbol	Content	
A	Gas piping	φ15.88 (5/8") (Flare)
B	Liquid piping	φ9.52 (3/8") (Flare)
C	Drain piping	R1
D	Hole for power source line	
E	Wiring hole for total enthalpy heat exchanger	
F	Hole for communication line	
G	Suspension bolts	M10

Space for installatin and service



View H



Label,model name

Before starting use

Heating performance

The heating performance values (kW) described in the catalogue are the values obtained by operating at an outdoor temperature of 7°C and indoor temperature of 20°C as set forth in the ISO Standards. Heating performance is reduced as the temperature drops. If the outdoor temperature is too low and the heating performance is insufficient, use other heating appliances as well.

Indication of sound values

The sound values are the values (A scale) measured in a chamber such as an anechoic chamber following the ISO Standards. In the actual installation state, the value is normally larger than the values given in the catalogue due to the effect of surrounding noise and echo. Take this into consideration when installing.

Use in oil atmosphere

Avoid installing this unit in an atmosphere where oil scatters or builds up, such as in a kitchen or machine factory.

If the oil adheres to the heat exchanger, the heat exchanging performance will drop, mist may be generated, and the synthetic resin parts may deform and break.

Use in acidic or alkaline atmosphere

If this unit is used in acidic atmosphere such as hot spring areas having high level of sulfuric gases or in alkaline atmosphere including ammonia or calcium chloride, places where the exhaust of the heat exchanger is sucked in, or at coastal areas where the unit is subject to salt breezes, the outer plate or heat exchanger, etc., will corrode. Please ask a dealer or specialist when you use an air-conditioner in places differing from a general atmosphere.

Use in places with high ceilings

If the ceiling is high, install a circulator to improve the heat and air flow distribution when heating.

Refrigerant leakage

The refrigerant (R32, R410A) used for air-conditioner is non-toxic and in its original state.

However, in consideration of a state where the refrigerant leaks into the room, measures against refrigerant leaks must be taken in small rooms where the tolerable level could be exceeded. Take measures by installing ventilation devices, etc.

Use in snowy areas

Take the following measures when installing the outdoor unit in snowy areas.

· Snow prevention

Install a snow-prevention hood so that the snow does not obstruct the air intake port or enter and freeze in the outdoor unit.

· Snow piling

In areas with heavy snow fall, the piled snow could block the air intake port. In this case, a frame that is 50cm or higher than the estimated snow fall must be installed underneath the outdoor unit.

Automatic defrosting device

If the temperature is low, and the humidity is high, frost will stick to the heat exchanger of the outdoor unit. If continued to use, the heating performance will drop.

The "Automatic defrosting device" will function to remove this frost.

After heating for approx. three to ten minutes, it will stop, and the frost will be removed. After defrosting, hot air will be blown again.

Servicing

After the air-conditioner has been used for several seasons, dirt will build up in the air-conditioner causing the performance to drop. In addition to regular servicing, a maintenance contract by a specialist is recommended.

Safety Precautions

Air-conditioner usage target

The air-conditioner described in this catalogue is a dedicated cooling/ heating device for human use.

Do not use it for special applications such as the storage of food items, animals or plants, precision devices or valuable art, etc.

This could cause the quality of the items to drop, etc.

Do not use this for cooling vehicles or ships. Water leakage or current leaks could occur.

Before use

Always read the "User's Manual" thoroughly before starting use.

Installation

Always commission the installation to a dealer or specialist. Improper installation will lead to water leakage, electric shocks and fires.

Make sure that the outdoor unit is stable in installation. Fix the unit to stable base.

Usage place

Do not install in places where combustible gas could leak or where there are sparks. Installation in a place where combustible gas could be generated, flow or accumulate, or places containing carbon fibers could lead to fires.

Certified ISO 9001



JQA-0709



Mitsubishi Heavy Industries - Mahajak Air Conditioners Co., Ltd. has been certified of Quality Management System in accordance with ISO 9001 by TUV NORD (Thailand) Ltd.



Mitsubishi Heavy Industries Thermal Systems, Ltd. Participate in the Eurovent certification program for variable refrigerant flow (VRF). Check ongoing validity of certificate: www.eurovent-certification.com

Certified ISO 14001



Mitsubishi Heavy Industries - Mahajak Air Conditioners Co., Ltd. has been certified of Environmental Management System in accordance with ISO 14001 by TUV NORD (Thailand) Ltd.



02122E10366R2M



Mitsubishi Heavy Industries Thermal Systems, Ltd.

(Wholly-owned subsidiary of MITSUBISHI HEAVY INDUSTRIES, LTD.)

2-3, Marunouchi 3-chome, Chiyoda-ku, Tokyo, 100-8332, Japan

<https://www.mhi-mth.co.jp/en/>

Because of our policy of continuous improvement, we reserve the right to make changes in all specifications without notice.

25KX01E-A May 2025 F Edited in Japan